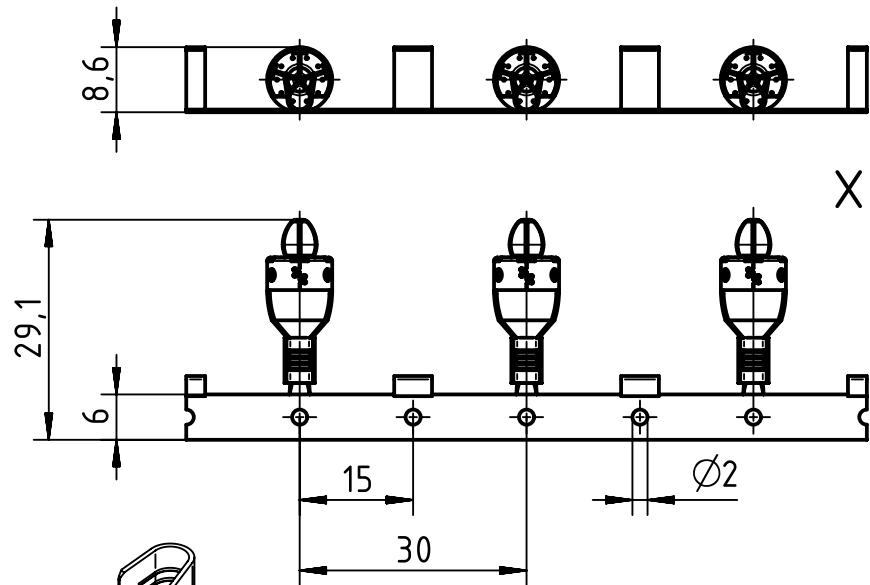
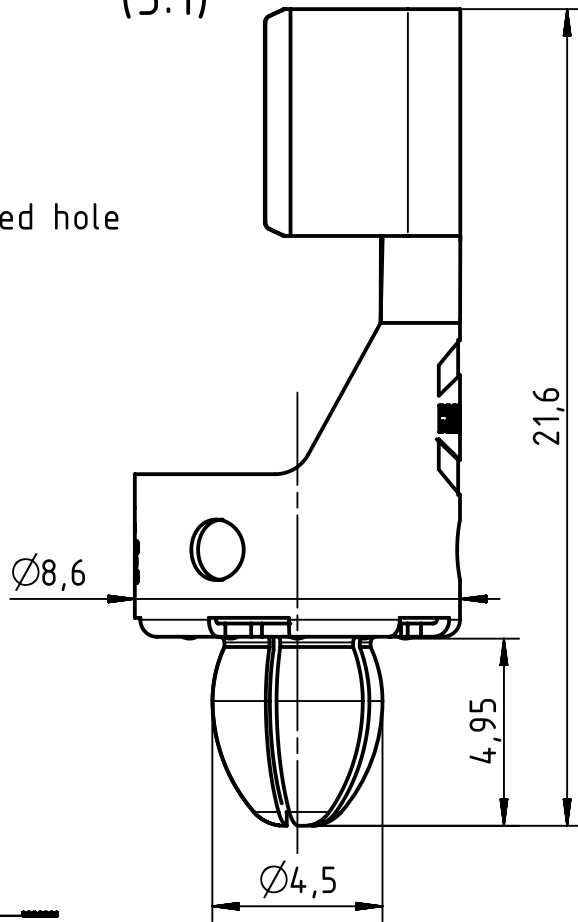
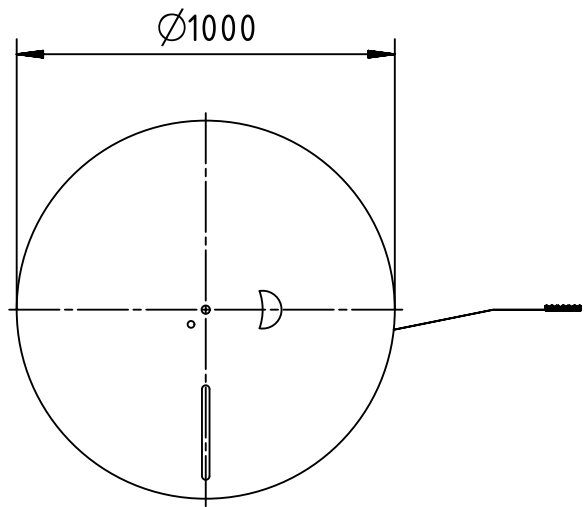
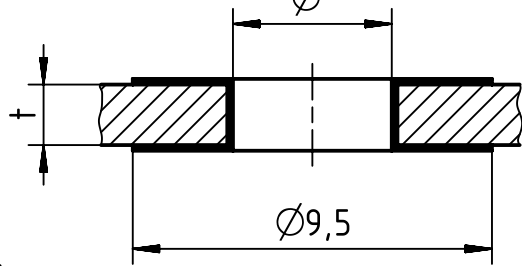


t	∅
1,6-3,2	4,4 ^{+0,05} _{-0,04}

(5:1)

PCB lay-out

finished hole



Coating	A=	mm ²	V=	mm ³	m=	g	Mat.
	All Dimensions in mm Original Size DIN A4		Scale 1:1	Free size tol.			Ref.
	All rights reserved Department EL PD		Created by DEIMEL	Inspected by SCHNIEDER	Standardisation TIEMANNA	Date 2016-03-30	State Final Release
Title Han-Fast Lock 4-6mm ² Ag Ro 2300St.						Doc-Key / ECM-Nr. 100230951/UGD/003/D 500000102451	
HARTING Electric GmbH & Co. KG D-32339 Espelkamp			Type TB	Number 09 08 000 6923			Rev. D
						Page 1/1	