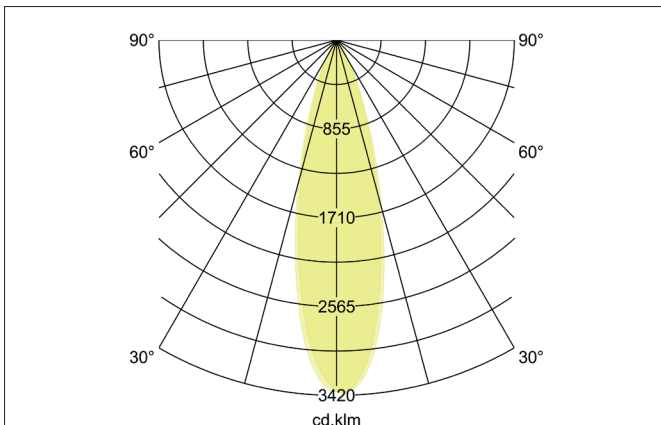
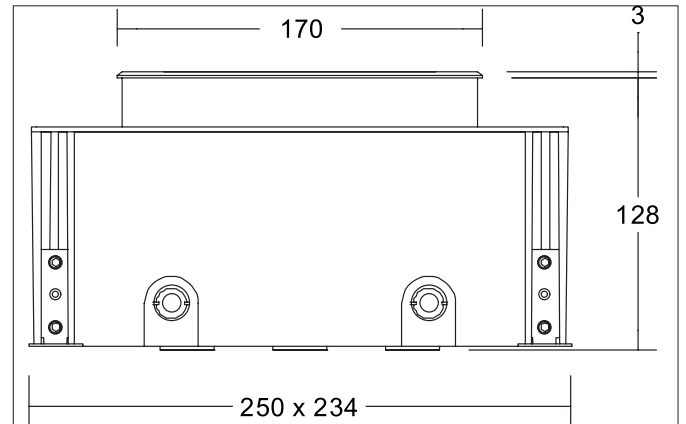


LANKA-R LED recessed floor light, V4A, IP67, switchable

Article no. 14667223

Light.
For Generations.



Tender

LED recessed floor light, V4A, IP67, switchable, Round. Ceiling cut-out L x W 234 x 250 mm, Installation depth 128 mm, Outer diameter 170 mm, Weight 2,505 kg, optimal light distribution due to a glass transparent cover. Luminous flux 1.390 lm, Power 1 x 12 W, Light colour warm white, Correlated color temperature (CCT) 3.000 K, Colour rendering index CRI > 80, Housing material: Stainless steel / Aluminium / Glass, Colour: Stainless steel, Permissible ambient temperature (ta): -20 to +45°C, Protection class (EN 61140): I, Degree of protection (DIN EN 60529): IP67, shock resistance according to IEC62262: IK08. With electronic driver, on/off switchable.

Lighting technology	
Colour temperature	3.000 K
Light colour	White
Light output	Direct
Luminous flux	1,390 lm
System efficiency	116 lm/W
Colour rendering	CRI > 80
Beam angle	30°
Light sharing	Symmetric/asymmetric
Adjustable color temperature	No

LANKA-R LED recessed floor light, V4A, IP67, switchable

Article no. 14667223

Light.
For Generations.

Operating technology of the luminaire	
System output	12 W
Voltage type	AC
AC nominal voltage max	230 V
Frequency max	50 Hz
Lamp	LED
Lamp holder	Without fitting
Protection class	I
Degree of protection	IP67
Ambient temperature	-20 bis +45°C
Dimmable	No
Control	on/off
Bulb change possible	The light source of this luminaire may only be replaced by the manufacturer or a service technician commissioned by him or a similarly qualified person.

Mounting technology	
Mounting method	Recessed mounting
Place of installation	Floor-mounted
Adjustability	Pivoted
Swivel angle	30°
Max. load	1,000 kg
Over rollable	No
Impact resistance	IK08
Further references	V4A
Material cover	Glass transparent
Circlip	Without circlip
Suitable for through-wiring	Yes

Packing data	
Gross weight	2.873 kg
Length of packaging	300 mm
Packaging width	300 mm
Packaging height	160 mm
Disposal at end of life	This product must not be disposed of with household waste. You are obliged, to dispose of such electrical waste separately. By disposing of electrical waste and other old or defective electronics separately, you support recycling or other forms of re-use. In that way you help to take care and to avoid that harmful substances get into the environment.