

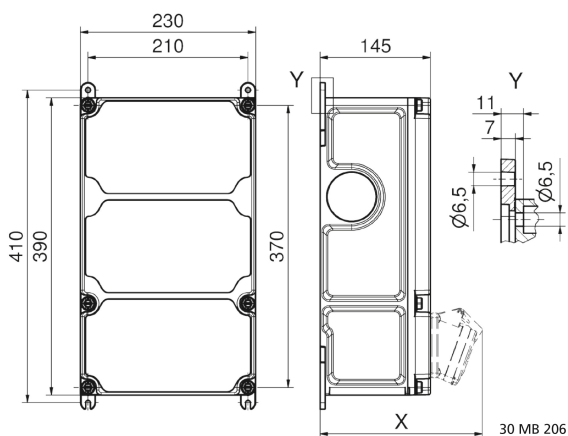
## Surface-mounting distributor, plastic - VARIABOX - L



Product description	
BALS-Prd.-Nr	89085
EAN	4024941206181
Product category	VARIABOX - L
Specification/Norm	DIN EN 61439-2
Protection degree	IP44
Colour of appliance	Housing bottom simular black RAL 9017, Housing top grey RAL 7035
Height	390mm
Width	230mm
Depth	145mm

Product description	
RDF factor	1
Nominal current InA	48

Logistics data	
Weight/pcs	5.104 kg / Piece
Packaging	Carton
Content amount	1 ST
EAN	4024941206181
Length	430 mm
Width	270 mm
Height	255 mm
Weight	5.407 kg
Volume	29,605.5 ccm



Tiefenmaß/ depth X (mm)

Bezeichnung/ with	IP44	IP67
OTC-Klappe/ OTC operating window	180	180
Schutzk. Steckdose/domestic socket	162	205
CEE 16A 3p	200	200
CEE 16A 4p	204	202
CEE 16A 5p	207	205
CEE 32A 3p/4p	211	213
CEE 32A 5p	213	214
CEE 63A 3p/4p/5p	229	231