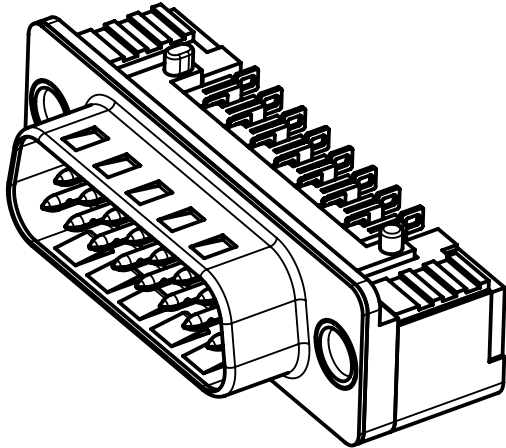
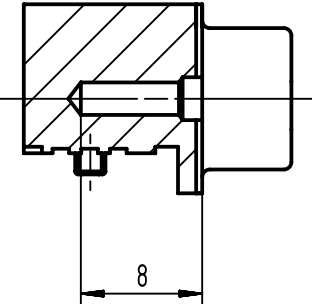
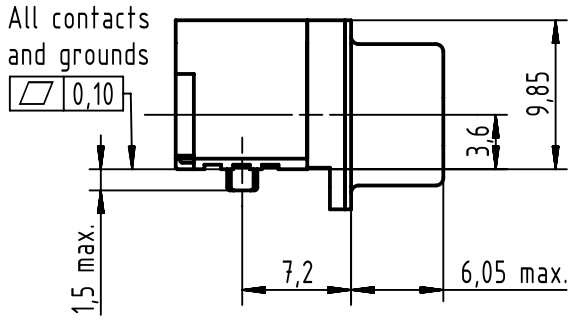
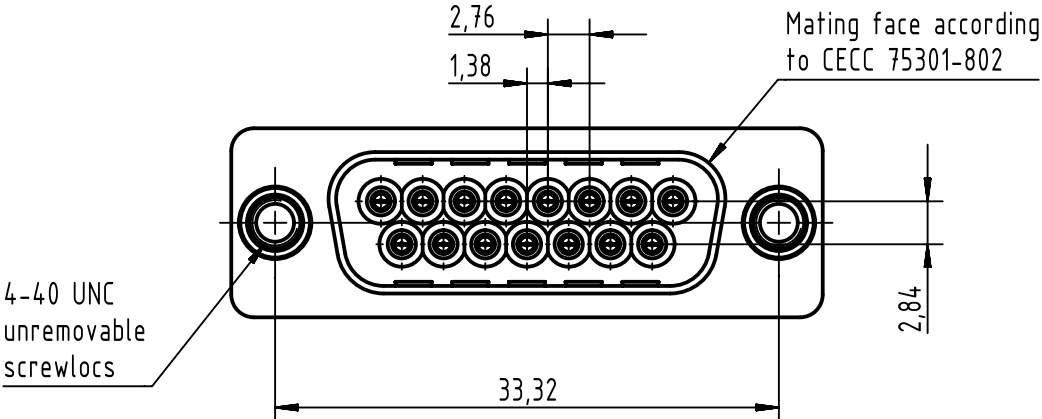
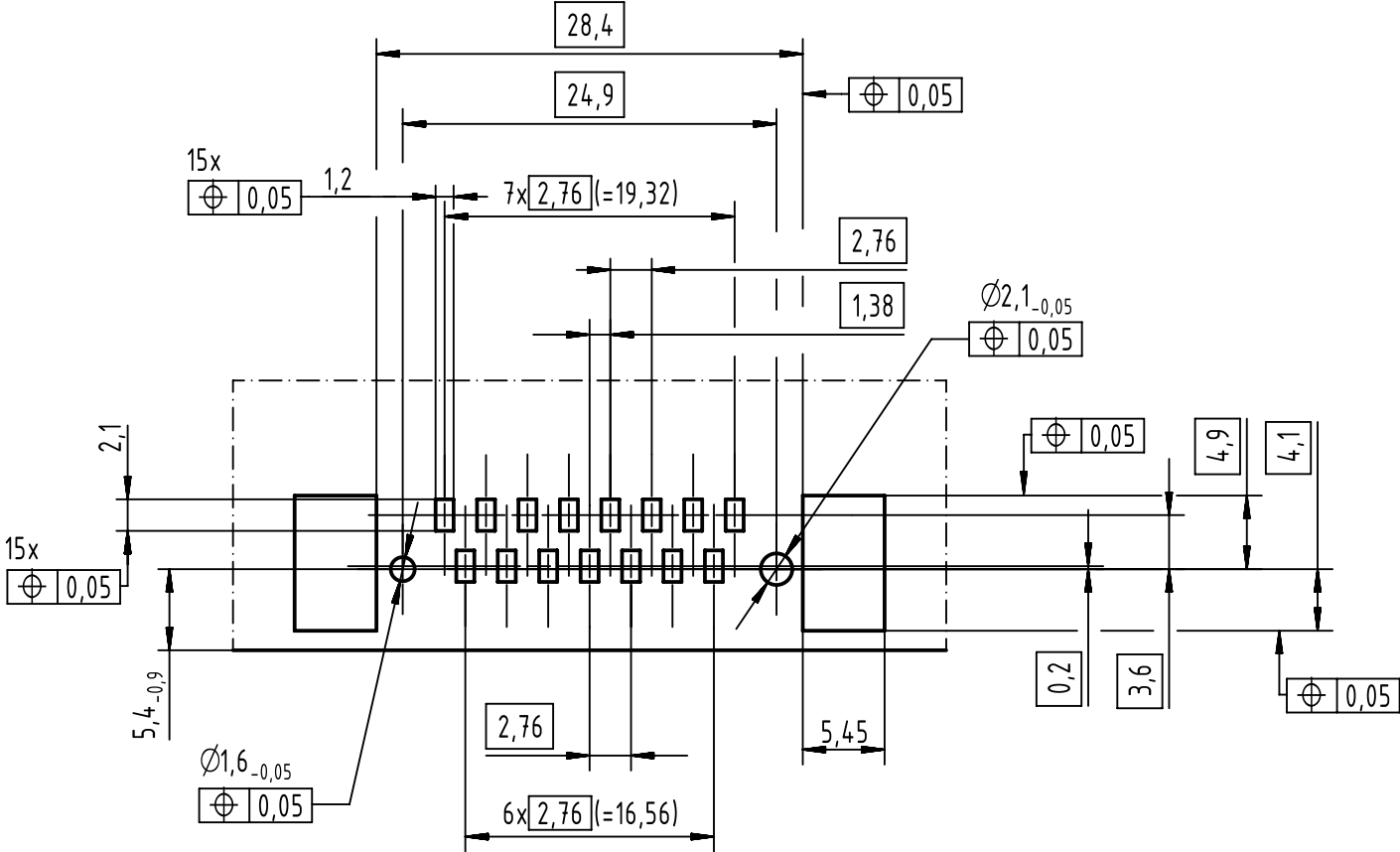
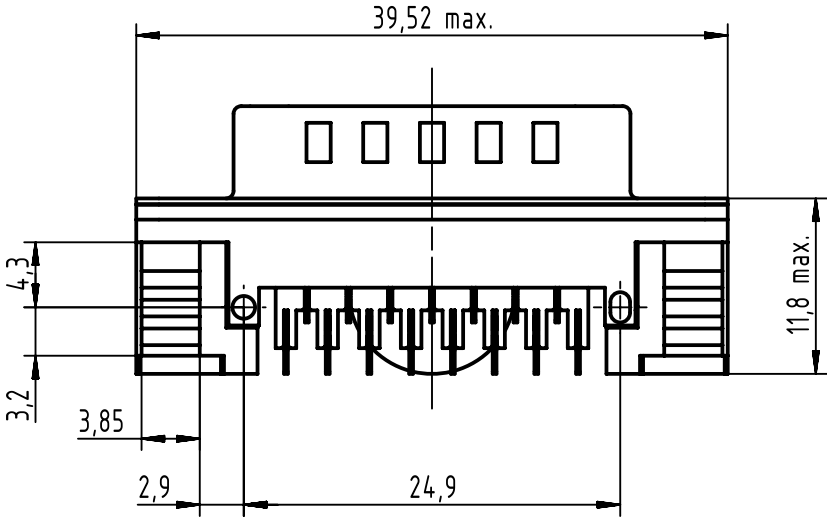


PCB layout, mounting side (thickness 1,6 min.)



Max. Temperature: 260°C during 10 seconds
 Find further technical information on DS 09550200301

0955 266 6816 333	2	4-40 UNC	Black insulator	Samples
0955 266 3816 741	1	4-40 UNC	Black insulator	Reel Packaging (160 connectors)
0955 266 6816 741	2			
0955 266 7816 741	3			
Part number	PL	Thread	Index designation	

All rights reserved Department EC PD - CN HARTING Electronics GmbH D-32339 Espelkamp	All Dimensions in mm Original Size DIN A3	Scale 2:1	Free size tol.	Ref. Sub.
	Created by ZHUANGJ	Inspected by LUOK	Standardisation HOFFMANN	Date 2016-08-31
Title D-Sub angled LP 15-pole male with screw nut				Doc-Key / ECM-Nr. 100682944/UGD/000/A 500000107532
Type TB		Number 0955266X816		Rev. A
				Page 1/1