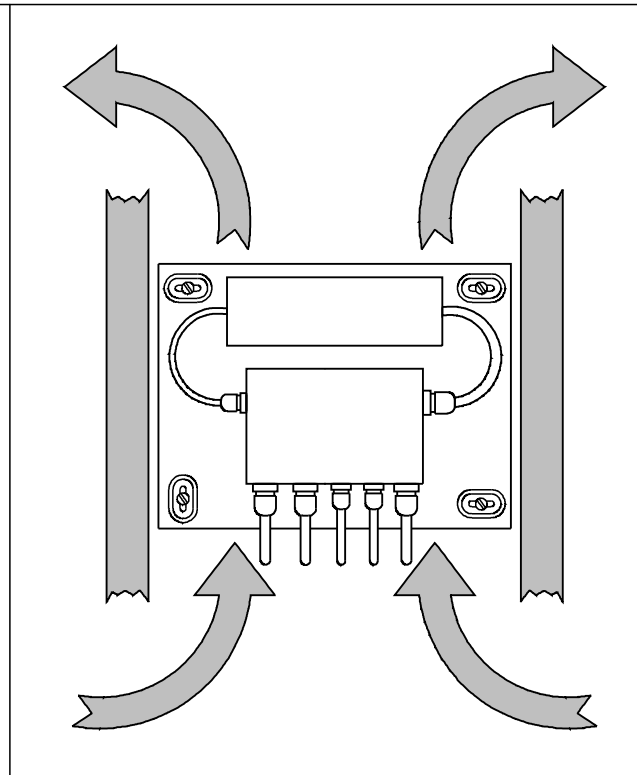
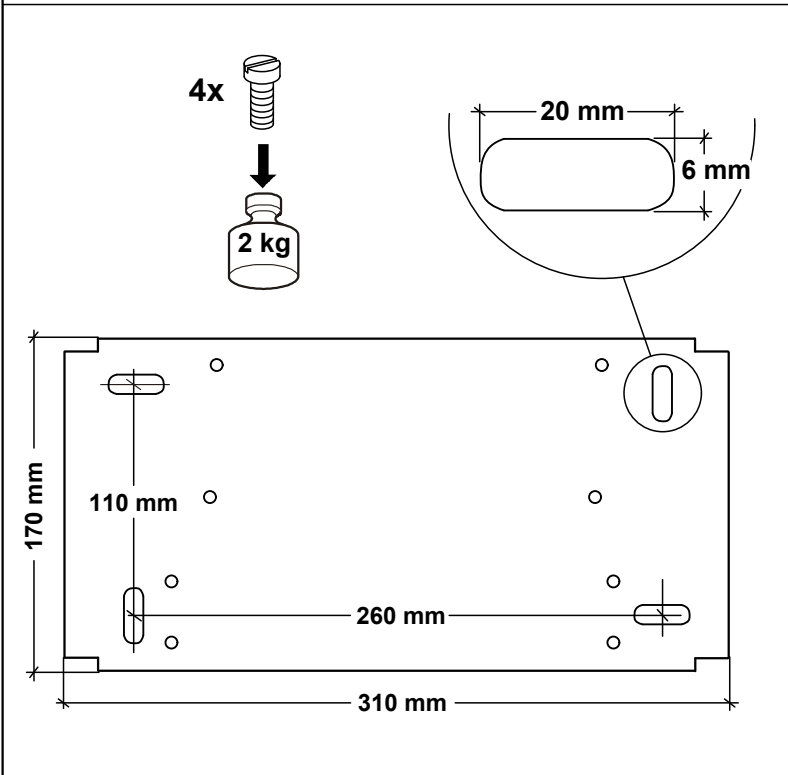
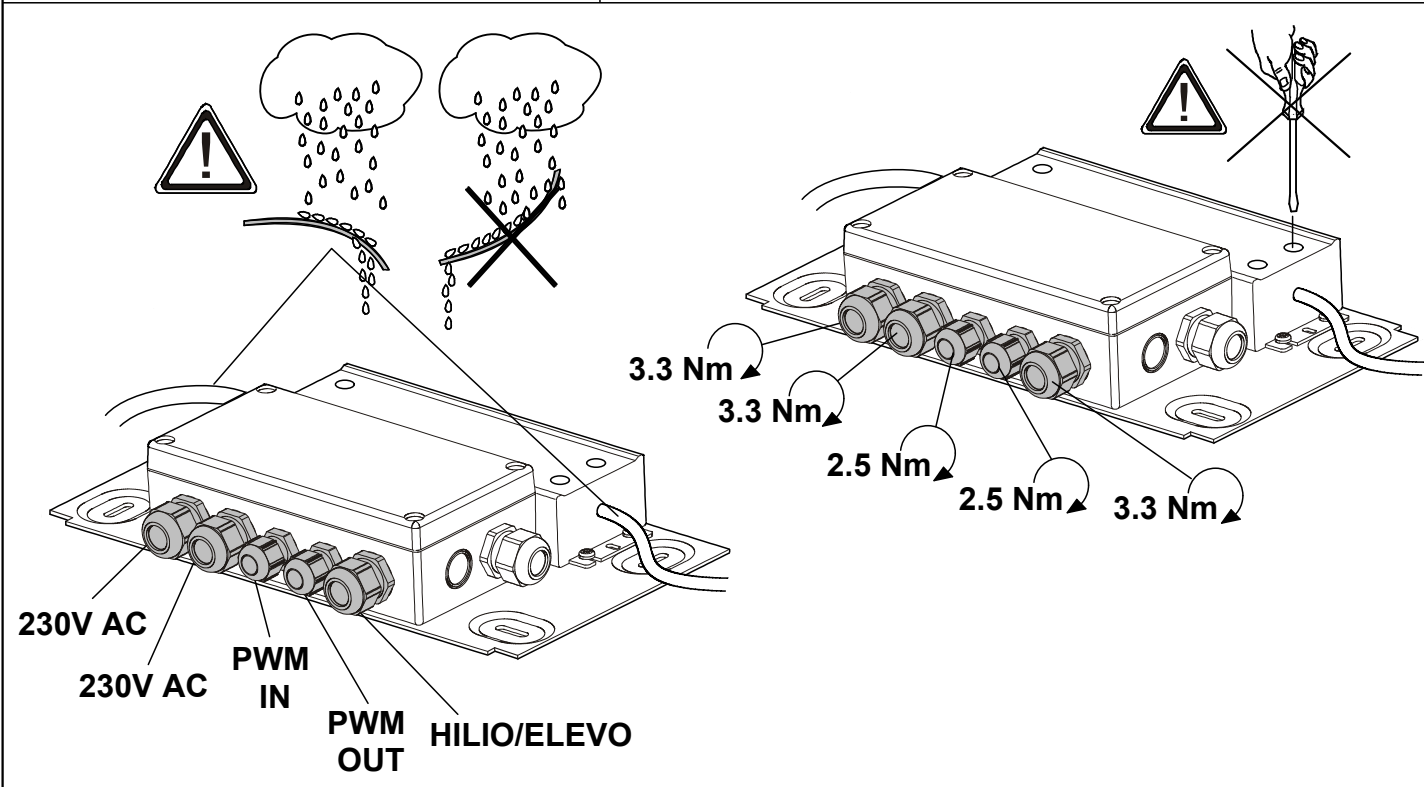
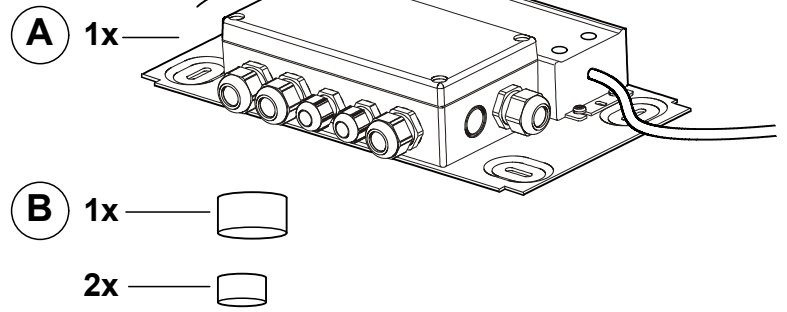
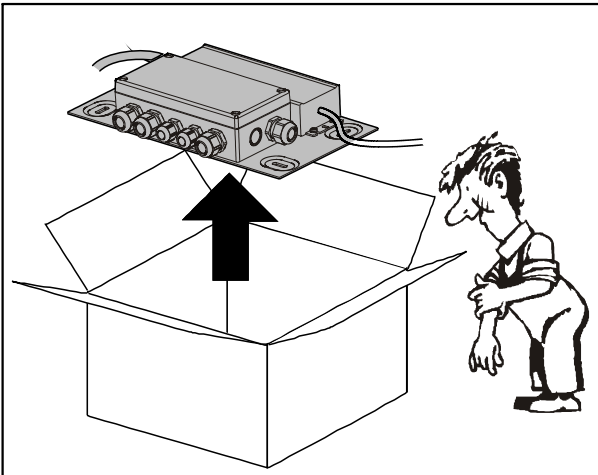
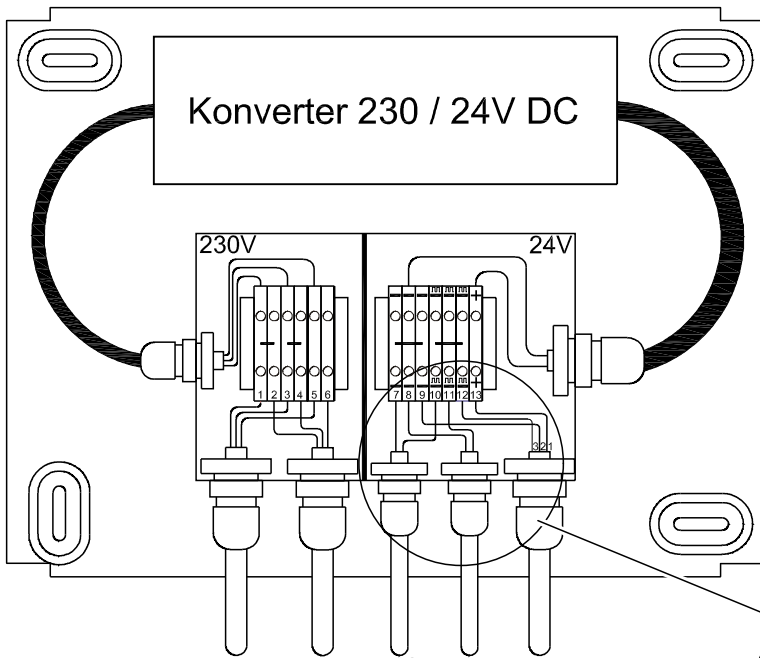


HILIO/ELEVO Anschl Set PWM IP 65 150W

Anleitung
Gebrauch
Montage

instruction
for use
for mounting

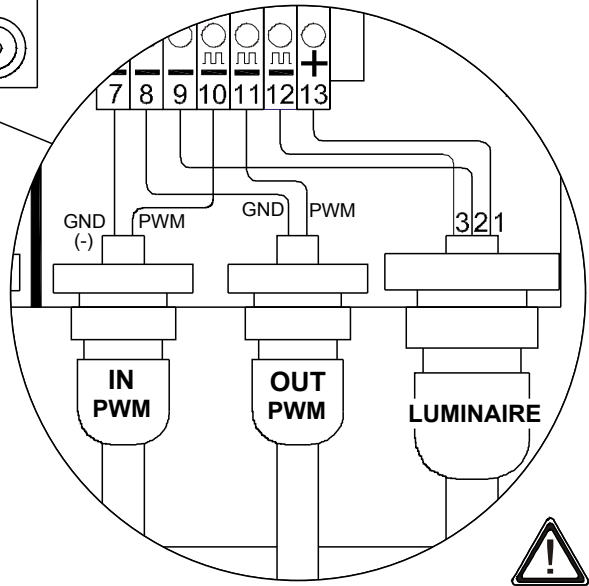




Terminal connections:
Stranded or solid wire usable

1	230V	L1	IN
2	230V	L1	OUT
3	230V	N	IN
4	230V	N	OUT
5	230V	PE	IN
6	230V	PE	OUT
7	GND	Control	IN
8	GND	Control	OUT
9	GND	Luminaire	OUT
10	C- PWM	Control	IN
11	C- PWM	Control	OUT
12	C- PWM	Luminaire	OUT
13	+ 24 =	Luminaire	OUT

- 230V AC IN
Outer diameter 7 - 13mm
cross section 0,2-4mm²
- 230V AC OUT
Outer diameter 7 - 13mm
cross section 0,2-4mm²
- PWM IN
Outer diameter 4,5 - 10mm
cross section 3x1,5mm²-4mm²
- PWM OUT
Outer diameter 4,5 - 10mm
cross section 3x1,5mm²-4mm²
- Luminaire
Outer diameter 7 - 13mm
cross section 3x1,5mm²-4mm²



Set bridge circuit between 8 and 11 for switchable version

