

# lightnet

## Cubic-G4

Pendant luminaire - Direct light distribution

Article code: CG4AEL-840H-L1200-Y



Illustrations may only be similar and serve as an orientation.

Cubic-G4. LED. Pendant luminaire. Luminaire body with 25mm visible overall height and minimalist edge of only 5mm. Luminaire body made of high-quality aluminum profile. Surface finish Silver Anodised. Direct only light distribution. Colour temperature: 4000K (Cool White). Colour Rendering Index (CRI): >80. Microprismatic screen for uniform illumination and reduced luminance in office areas. Dimmable DALI. LxWxH (rectangular). L=1200mm. W=200mm. H=25mm. Y-cord suspension with power supply cable and ceiling rose (Set). Pendant length max

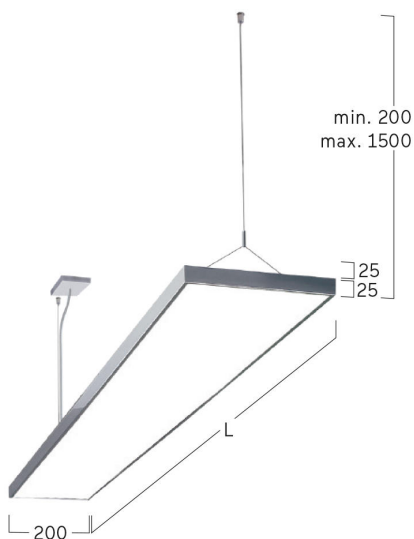
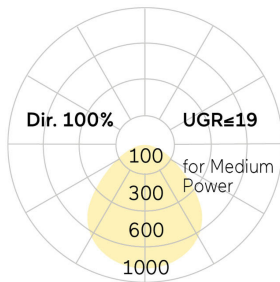
1500mm. Power supply: transparent. Ceiling rose: Matching luminaire's surface colour. High-power current. 3900lm. 34W. 4,8kg. Binning initial <= MacAdam 3. IP20. Protection class I. CE, UKCA marking. Prüfzeichen: ENEC. IK02. 220-240V. 50-60 Hz. RG0 (EN62471). Luminous flux reduction up to 0,4%/1.000 operating hours. Nominal failure rate: 0,2%/1.000 operating hours. L80B10 (tq 25°C) = 50.000h. 5 years warranty. Manufacturer: Lightnet GmbH, ISO 9001:2015 and 50001:2018 certified.

# lightnet

## Cubic-G4

Pendant luminaire - Direct light distribution

Article code: CG4AEL-840H-L1200-Y



Customer / Project: \_\_\_\_\_

Note: \_\_\_\_\_

Productname	Cubic-G4
Lamp	LED
Installation Type	Pendant luminaire
Surface finish	Silver Anodised
Light characteristics	Direct light distribution
Colour temperature	4000K
Colour Rendering Index (CRI)	CRI>80
Optical system	Microprismatic screen
Control	Dimmable (DALI)
Length L/Diameter D (mm)	L=1200mm
Width W (mm)	W=200mm
Height H (mm)	H=25mm
Current/Power	High-Power
Luminous Flux	3900lm
Power consumption	34W
Suspension	Y-susp. (Set)
Ceiling rose colour	Ceiling rose: Matching luminaire`s surface colour
Pendant length (mm)	Pendant length max 1500mm
Degree of protection	IP20
Certification	Prüfzeichen: ENEC
Cable Colour	Power supply: transparent
LED lifetime	L80B10 (tq 25°C) = 50.000h
Photometric code	8 40 / 3 3 9
Photobiological class	RG0 (EN62471)
Indoor/Outdoor	Indoor: ta [ambient] max. 25°C
Weight (kg)	4,8kg

