

Wall mounting appliance inlet - housing dimensions 80x70



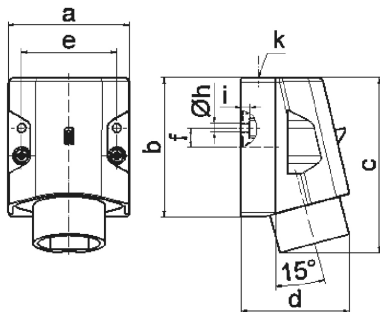
| Product description | |
|---------------------------|--|
| BALS-Prd.-Nr | 4618 |
| EAN | 4024941046183 |
| Product category | Wall mounting appliance inlet, extra-low voltage |
| Current | 32A |
| Number of poles | 3p |
| Arrangement of phases | 3P |
| Position of earth contact | 12 h |
| Voltage | 40 up to 50V |

| Product description | |
|------------------------|---|
| Frequency | 50/60Hz |
| Protection degree | IP44 |
| Colour code | gray RAL 7035 |
| Colour of appliance | Housing bottom grey RAL 7035, Housing top grey RAL 7035, Collar grey RAL 7035 |
| Connection design | with screw terminal |
| Maximum conductor size | 10,0 qmm |
| Cable entry | top entry M25 |
| Height | 102mm |
| Width | 70mm |
| Depth | 63mm |
| Dimension of enclosure | 80x70 mm (HxW) |
| Material of enclosure | Polyamide |
| Contacts | The contact carrier is made of polyamide, The contacts are brass |

| Additional technical properties | |
|---------------------------------|------------------------------------|
| | The cable entry is one at top open |

| Logistics data | |
|----------------|-----------------|
| Weight/pcs | 0.15 kg / Piece |
| Packaging | Carton |
| Content amount | 10 ST |

| Logistics data | |
|----------------|---------------|
| EAN | 4024941837279 |
| Length | 245 mm |
| Width | 177 mm |
| Height | 185 mm |
| Weight | 1.633 kg |
| Volume | 7,140 ccm |



16 MB 15

| Ampere | 16 | 16 | 32 | 32 | | |
|----------------------------|-------|-------|-------|-------|--|--|
| Polzahl | 2 | 3 | 2 | 3 | | |
| a | 70,0 | 70,0 | 70,0 | 70,0 | | |
| b | 80,0 | 80,0 | 80,0 | 80,0 | | |
| c | 100,0 | 100,0 | 100,0 | 100,0 | | |
| d | 82,0 | 82,0 | 82,0 | 82,0 | | |
| e | 55,0 | 55,0 | 55,0 | 55,0 | | |
| f | 11,0 | 11,0 | 11,0 | 11,0 | | |
| h ø | 5,2 | 5,2 | 5,2 | 5,2 | | |
| i | 5,0 | 5,0 | 5,0 | 5,0 | | |
| k | M25 | M25 | M25 | M25 | | |
| Leiter mm ² min | 4 | 4 | 4 | 4 | | |
| Leiter mm ² max | 10 | 10 | 10 | 10 | | |