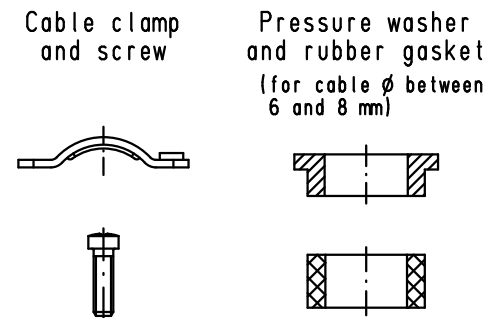


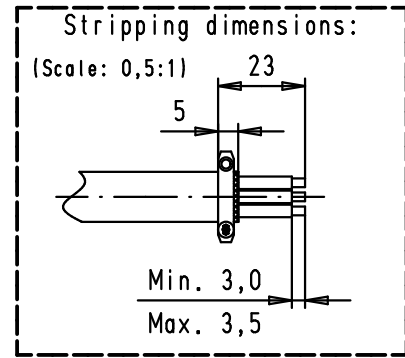
**Not mounted parts :**



**Mounting instructions:**

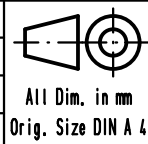
- The peeled back cable braiding must not extend over the cable clamp, in order not to damage the gasket or to impair its performance

- Pull back cable until cable clamp snaps into shielding plate
- Snap connector into hood



-For rear mounted mating connectors, panel thickness is comprised between 1 and 2 mm for safe contact area  
-Max. torques are 0,4 N.m

			Det.	Name
			Detail.	29/08/08 PK
			Insp.	28/10/11 JB
EC03999	28/10/11	SD	Stand.	
35427	15/12/08	PK		
35280	29/08/08	PK		
Mod.	Det.	Name	HARTING EURL F-95972 Paris	



D-Sub, black plastic hood, waterproof IP67, 15 poles, top cable entry with nut

Maßstab/  
Scale  
1:1

09 67 015 0439	M3
09 67 015 0438	4-40 UNC
Part number	Mounting screw thread

**TB 09 67 015 043X**

Sub.

Blatt/ Page  
1 / 1