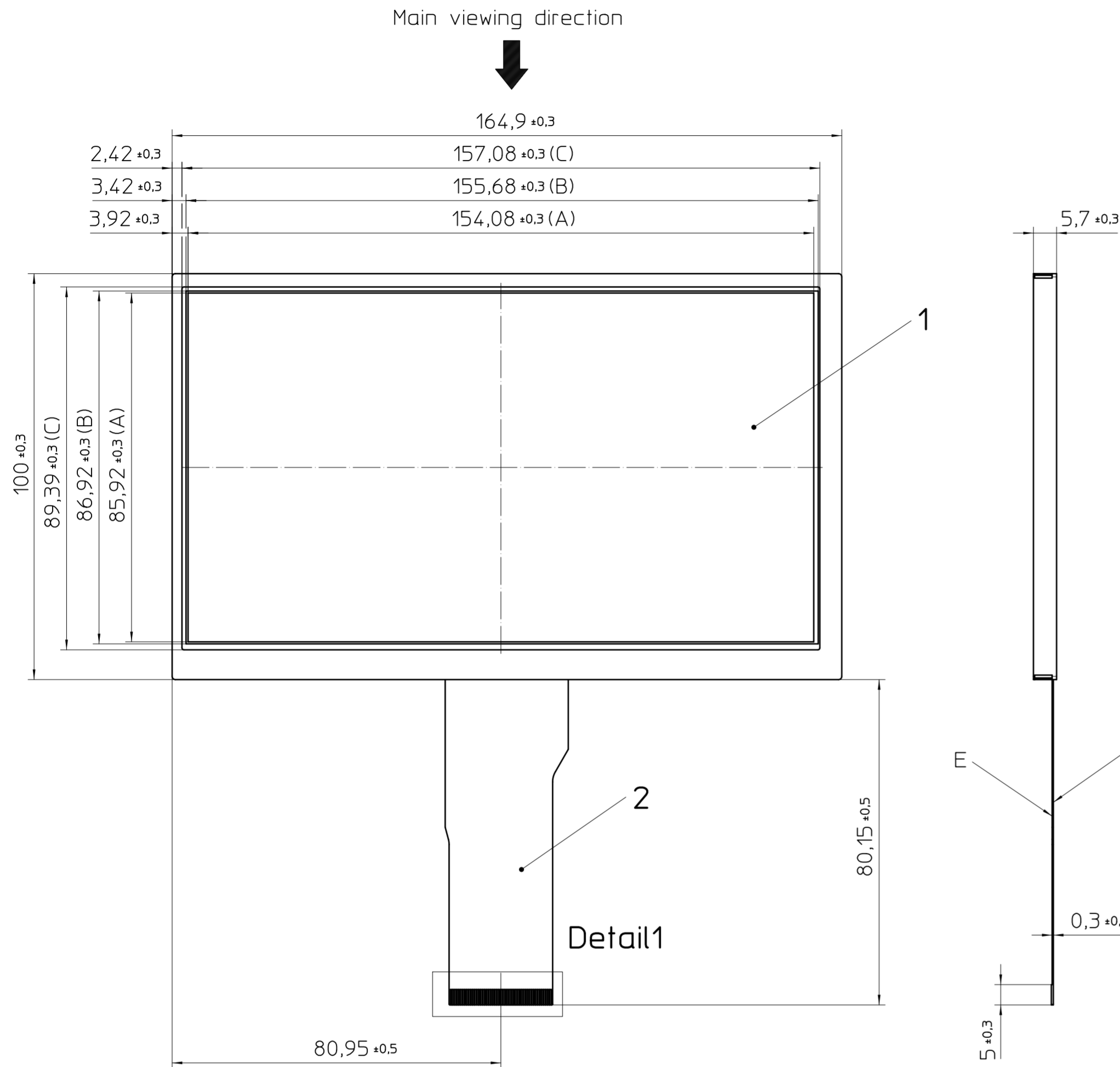
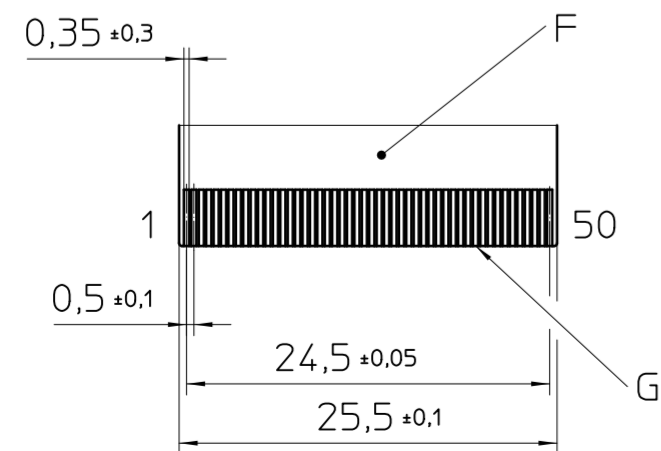


Transfer or duplication of this document as well as the utilisation or communication of its content are not permitted unless express consent is granted. Violations give rise to claims for damages. All rights reserved in case of patent, utility model or design patent registrations.

Weitergabe sowie Vervielfältigung dieses Dokuments, Verwertung und Mitteilung seines Inhalts sind verboten, soweit nicht ausdrücklich gestattet. Zuwiderhandlungen verpflichten zu Schadensersatz. Alle Rechte für den Fall der Patent-, Gebrauchsmuster- oder Designeintragung vorbehalten.

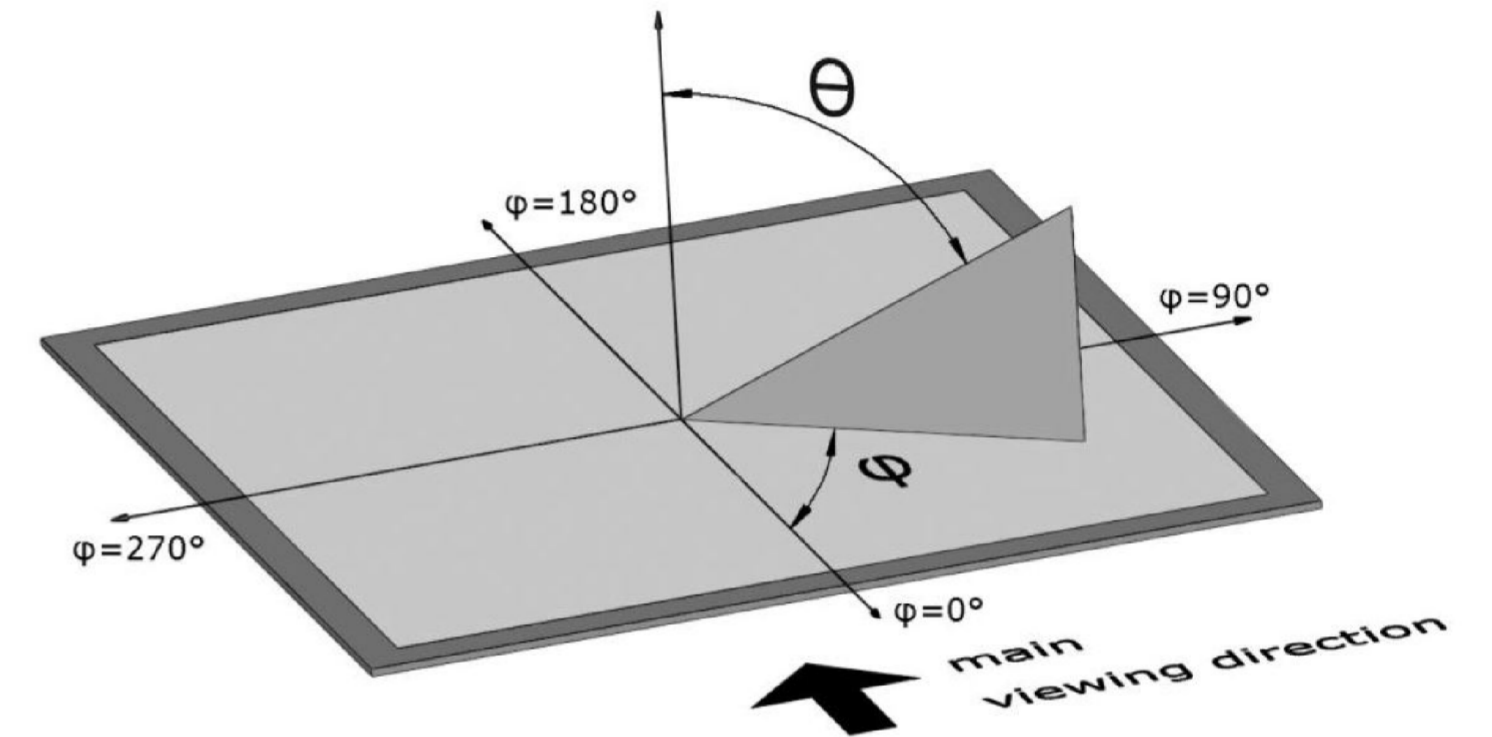


Detail1
2:1



Optical characteristics

Viewing angle	Symbol	Condition	Minimum	Typical
	θ	$\theta(\text{Phi}=0^\circ)$	50°	60°
		$\theta(\text{Phi}=90^\circ)$	60°	80°
		$\theta(\text{Phi}=180^\circ)$	60°	80°
		$\theta(\text{Phi}=270^\circ)$	60°	80°



General Information

General Information:

- Simplified representation
- Document excluded from change process
- Linear dimensions [mm]
- Web: www.phoenixcontact.com webcode: #0859

Additional information:

- A. Active area
- B. Visible area
- C. Bezel opening
- D. Contact side
- E. Stiffener side
- F. Film cable for FPC conector with 50 pins and a pitch of 0,5mm
- G. Contact surface: Au

D T 7,0 WVGA P		
Pos.	QTY	Description
1	1	DISPLAY
2	1	FILM CABLE

DIN A2	document-No. / RI 01022296 / 02	date 21.01.2019	scale 1:1
	ident.-No. 2203551	document-type TECDOC 2D_Productdrawing	
page 1 of 1	description D T 7,0 WVGA P		