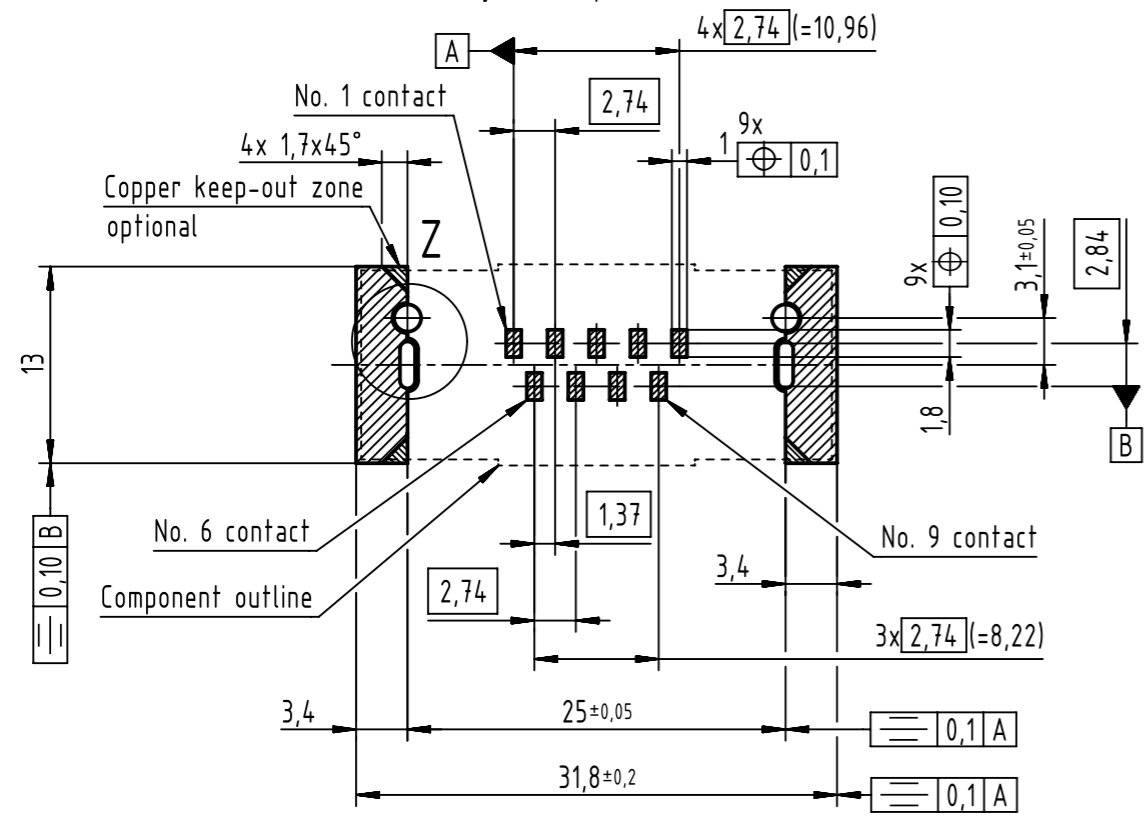
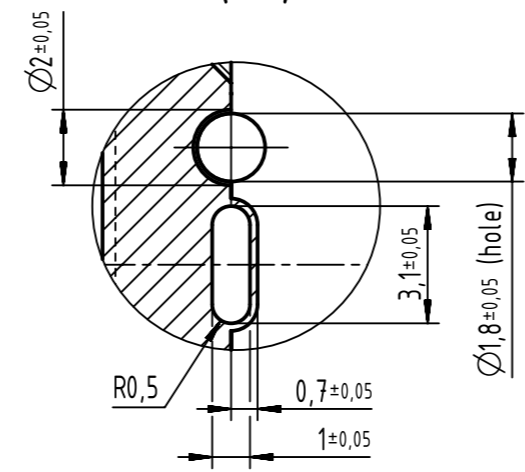


PCB layout, component side



Z (5:1)



Max. Temperature: 260°C during 10 seconds
Find further technical information on DS 09550200302

0955 169 6812 333	2	4-40 UNC	Black insulator	Samples
0955 169 3811 741	1	M3	Black insulator	Reel packing: 140 connectors
0955 169 3812 741	1	4-40 UNC		
0955 169 6811 741	2	M3		
0955 169 6812 741	2	4-40 UNC		
0955 169 7811 741	3	M3		
0955 169 7812 741	3	4-40 UNC		
0955 169 7812 741	3	4-40 UNC		
Part number	PL	Nut	Index designation	

 HARTING Electronics GmbH D-32339 Espelkamp	All rights reserved Department EL PD	Scale 2:1	Free size tol.	Ref.	
	Created by ZHUANGJ	Inspected by LUOK	Standardisation HOFFMANN	Date 2018-11-29	State Final Release
Title D-Sub str SMT 9-pole male with screw nut & ground pin			Doc-Key / ECM-Nr. 100236626/UGD/001/C 500000139800		
Type TB		Number 0955169X81X		Rev. C	Page 1/1