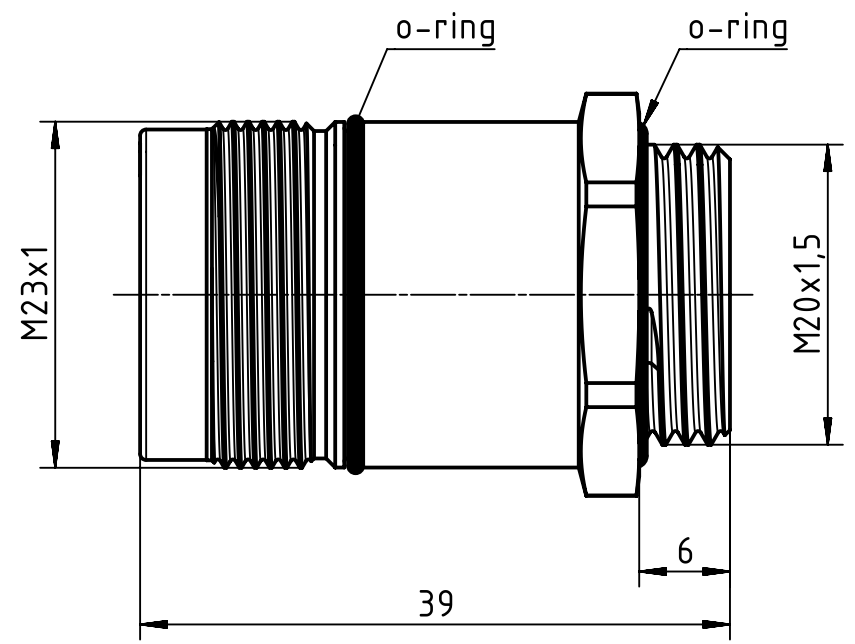
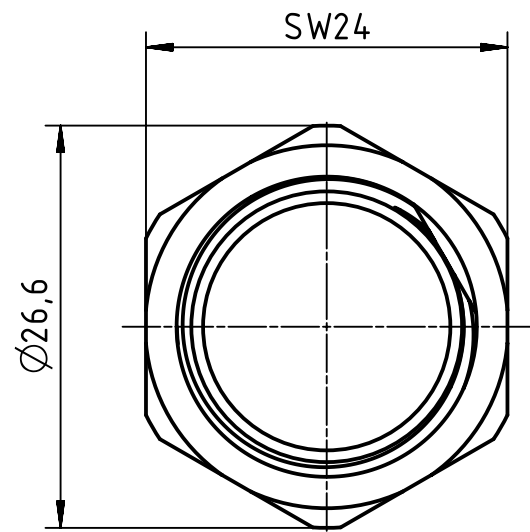
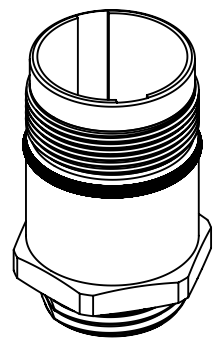
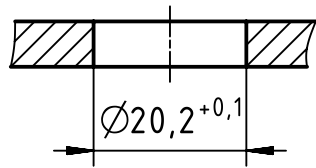
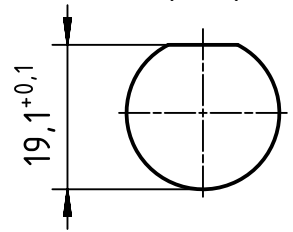


panel cut out
(1:1)



	All Dimensions in mm Original Size DIN A4		Scale 2:1	Free size tol.		Ref.
			Created by DYCKC	Inspected by GRUBES	Standardisation TIEMANNA	Sub.
All rights reserved Department EL PD		Title M23 P HBM Front M20x1,5		Date 2019-07-19	State Final Release	
HARTING Electric GmbH & Co. KG D-32339 Espelkamp		Type TB		Number 09 15 600 0303		Doc-Key / ECM-Nr. 100735403/UGD/000/B 500000155114
				Rev. B	Page 1/1	