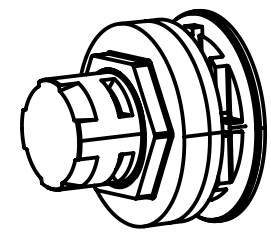
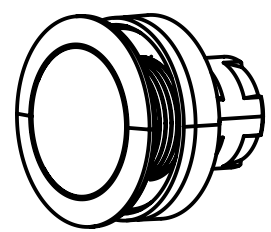
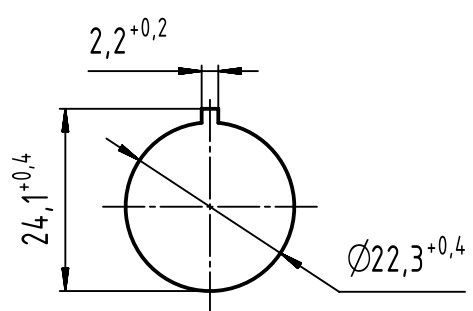


PANEL CUT DIMENSIONS



	All rights reserved Department EC PD - RO	All Dimensions in mm Original Size DIN A4		Scale 1:1	Free size tol.	Ref.
		HARTING Electronics GmbH D-32339 Espelkamp	Created by TAMAS	Inspected by AVRAM	Standardisation HOFFMANN	Date 2016-11-25
Title har-port cover IP65/67						Doc-Key / ECM-Nr. 100205669/UGD/002/B 500000111080
Type TB				Number 09455020004		Rev. B
						Page 1/1