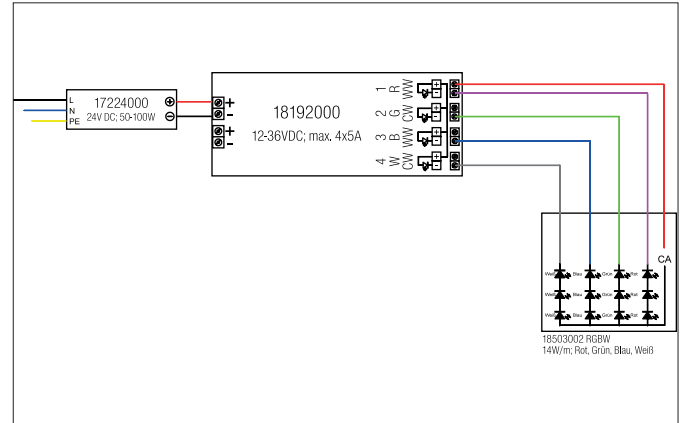
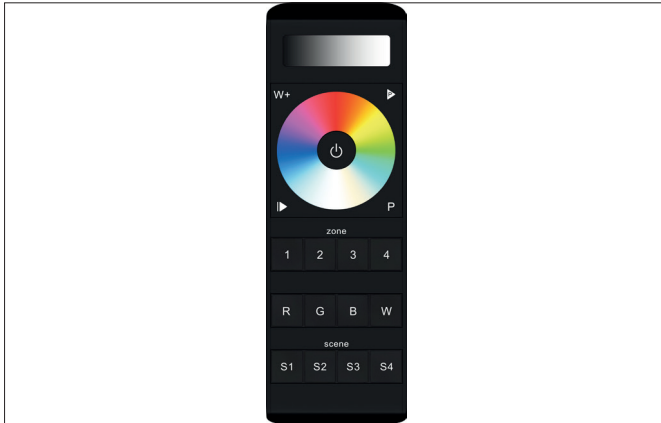


RGBW radio remote control for 18192000

Article no. 18196000

Light.
For Generations.



Tender

RGBW radio remote control for 18192000. RGBW radio remote control for controlling the RGBW LED modules for color and white light. Voltage (battery): 4.5 V DC - 3 x AAA (not included in the scope of delivery). Radio frequency: 869.5 MHz, transmission power (Ps) <, 0 dBm. Range (visual contact): up to 20 m. Ambient temperature (ta): 0 °C to +40 °C. Dimensions: L 152 x W 52 x H 19 mm. Material: Plastic. Delivery: including a wall bracket. Function scope: On / Off. RGBW color change using a touch wheel. White light selection key (ww / nw / w). Dimmer keys for red / green / blue / white. Color gradient: Start / Stop. Color gradient: Speed- Dimming of the set light color using a touch field. Save keys S1 to S4. Controller selection keys for zones 1 to 4. Compatible with the radio master controller 18192000. Please refer to the product description for other functions. Degree of protection: according to DIN EN 60529 IP20.

Article data	
Article no.	18196000
GTIN	4251433922476
Short description	RGBW radio remote control for 18192000
Material	Plastic
Weight	0.100 kg

RGBW radio remote control for 18192000

Article no. 18196000

Light.
For Generations.

Packing data	
Gross weight	0.122 kg
Length of packaging	145 mm
Packaging width	50 mm
Packaging height	25 mm
Disposal at end of life	<p>This product must not be disposed of with household waste. You are obliged, to dispose of such electrical waste separately.</p> <p>By disposing of electrical waste and other old or defective electronics separately, you support recycling or other forms of re-use. In that way you help to take care and to avoid that harmful substances get into the environment.</p>