

Connector - with screwless terminals, for harsh applications

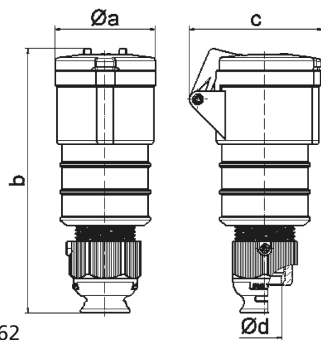


Product description	
BALS-Prd.-Nr	310441
EAN	4024941205221
Product category	Connector QUICK-CONNECT TE
Current	16A
Number of poles	4p
Poles	3P+PE
Position of earth contact	5 h
Voltage	600 up to 690V

Product description	
Frequency	50 and 60Hz
Protection degree	IP44
Colour code	black RAL 9005
Colour of appliance	Enclosure black RAL 9005, Hinged lid black RAL 9005, Cable gland grey RAL 7035
Connection design	screwless spring terminals as cage clamp with Kontex-contact
Maximum conductor size	2,5 qmm
Cable entry	Cable gland
Height	162mm
Width	58mm
Depth	78mm
Material of enclosure	Polyamide
Contact	The contact carrier is made of high temperature resistant material, the contacts are brass nickel plated

Logistics data	
Weight/pcs	0.167 kg / Piece
Packaging	Bag
Content amount	1 ST
EAN	4024941205221
Length	78 mm
Width	58 mm

Logistics data	
Height	162 mm
Weight	0.168 kg
Volume	732.888 ccm
Packaging	Carton
Content amount	10 ST
EAN	4024941838061
Length	275 mm
Width	175 mm
Height	137 mm
Weight	1.795 kg
Volume	5,737.5 ccm



Ampere	16	16	16	32	32	32
Polzahl	3	4	5	3	4	5
a ø	51,0	58,0	65,0	66,5	66,5	72,0
b	156,0	162,0	168,0	195,0	195,0	198,0
c	72,0	78,0	86,0	89,0	89,0	99,0
d ø	18,0	18,0	21,0	23,0	23,0	27,0
Leiter mm ² min	1	1	1	2,5	2,5	2,5
Leiter mm ² max	2,5	2,5	2,5	6	6	6