

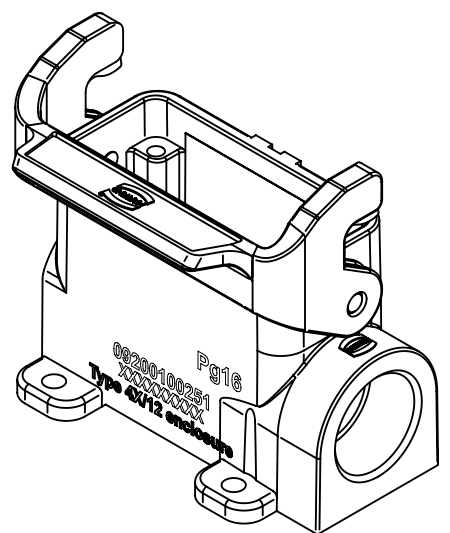
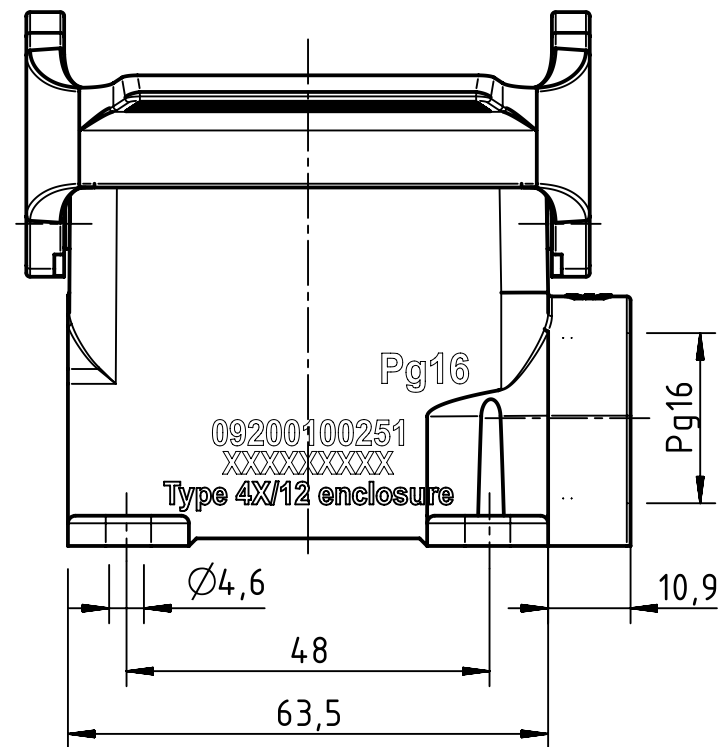
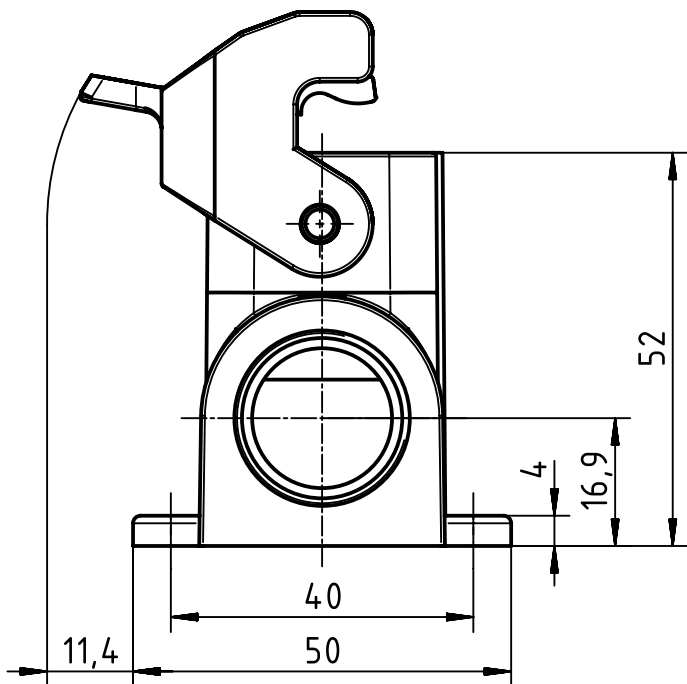
1 2 3 4 5 6

A

B

C

D



	All Dimensions in mm Original Size DIN A4		Scale 1:1	Free size tol.		Ref. Sub. TB 09 20 010 0251 v. 15.09.94		
		All rights reserved Department EL PD		Created by HELLMANN	Inspected by GERB	Standardisation GARSKE	Date 2019-11-27	State Final Release
HARTING Electric GmbH & Co. KG D-32339 Espelkamp				Title Han 10 A-asg1-LB-16		Doc-Key / ECM-Nr. 100189736/UGD/004/D 500000161360		
				Type TB	Number 09 20 010 0251		Rev. D	Page 1/1