

Accessories plugs/connectors - Closure cap for CEE plugs



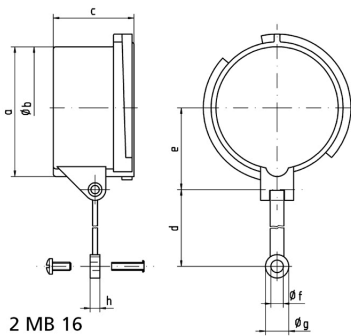
Product description	
BALS-Prd.-Nr	833
EAN	4024941008334
Product category	Closure cap
Current	63A
Number of poles	3p, 4p, 5p
Poles	3p, 4p, 5p
Protection degree	IP67
Colour code	gray RAL 7035

Product description	
Height	105mm
Width	95mm
Depth	72.5mm
Material of enclosure	Polyamide

Additional technical properties	
	With strap

Logistics data	
Weight/pcs	0.11 kg / Piece
Packaging	Bag
Content amount	1 ST
EAN	4024941008334
Length	72.5 mm
Width	95 mm
Height	105 mm
Weight	0.111 kg
Volume	723.188 ccm
Packaging	Carton
Content amount	50 ST
EAN	4024941950251
Length	590 mm

Logistics data	
Width	380 mm
Height	230 mm
Weight	6.255 kg
Volume	45,066 ccm



Ampere Polzahl	16 3	16 4	16 5	32 3/4	32 5	63 3/4/5	125 3/4/5
a	53,0	59,5	67,0	70,0	76,5	83,5	95,5
b ø	49,5	55,7	63,0	64,0	70,5	76,5	89,0
c	41,5	41,5	41,5	51,5	51,5	72,5	80,0
d	133,0	133,0	133,0	133,0	133,0	155,0	155,0
e	34,5	38,0	42,0	44,0	48,0	52,0	57,5
f ø	6,4	6,4	6,4	6,4	6,4	6,4	6,4
g ø	12,0	12,0	12,0	12,0	12,0	12,0	12,0
h	5,0	5,0	5,0	5,0	5,0	5,0	5,0