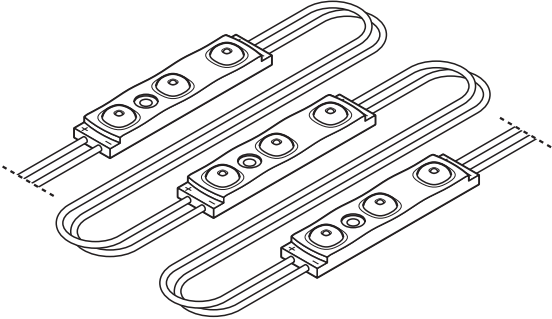
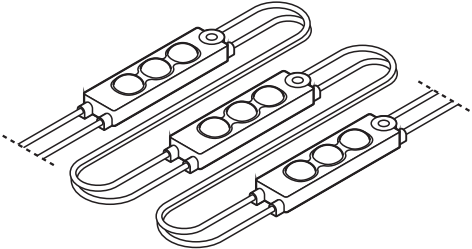


# BackLED® L/M/S Plus

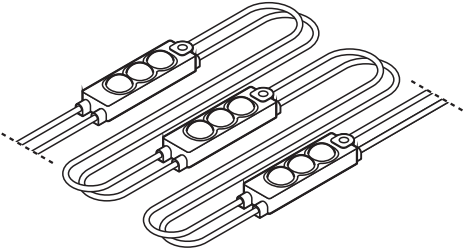
BackLED® L Plus

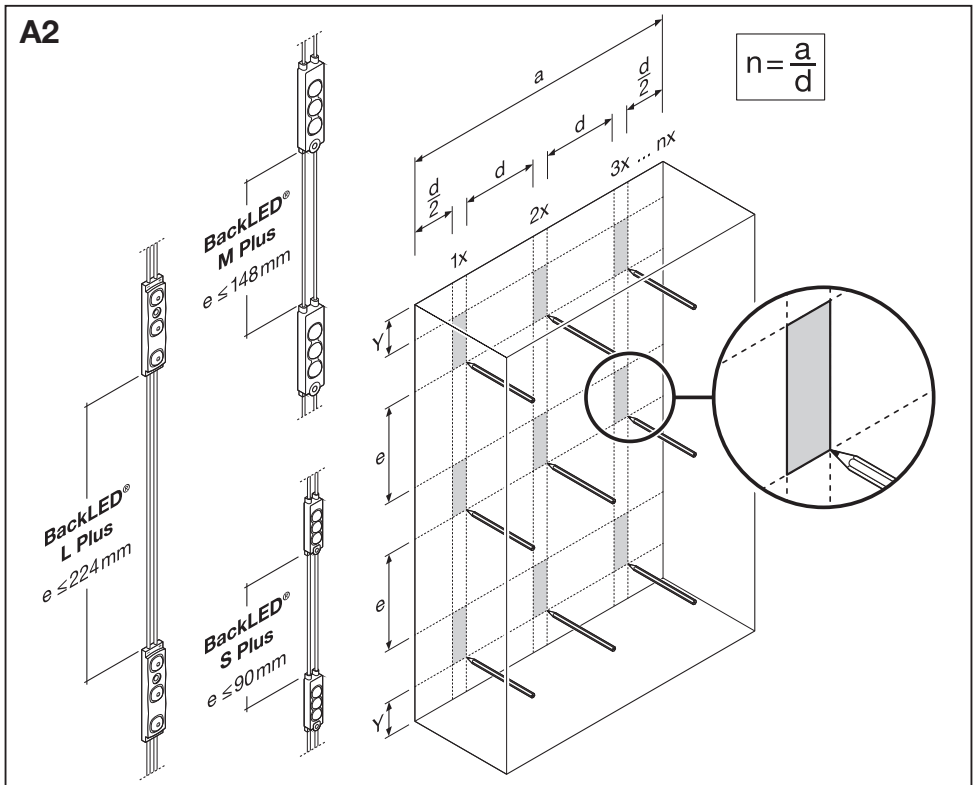
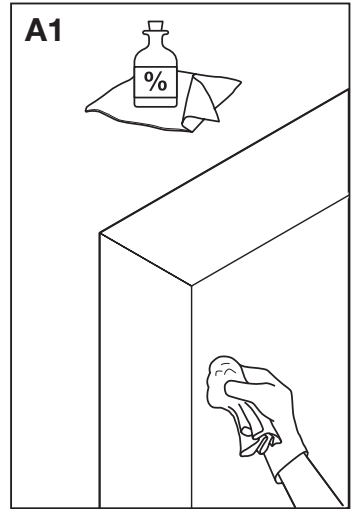
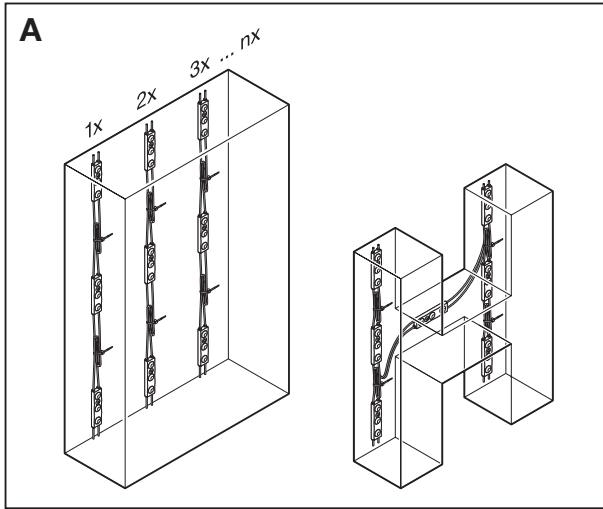


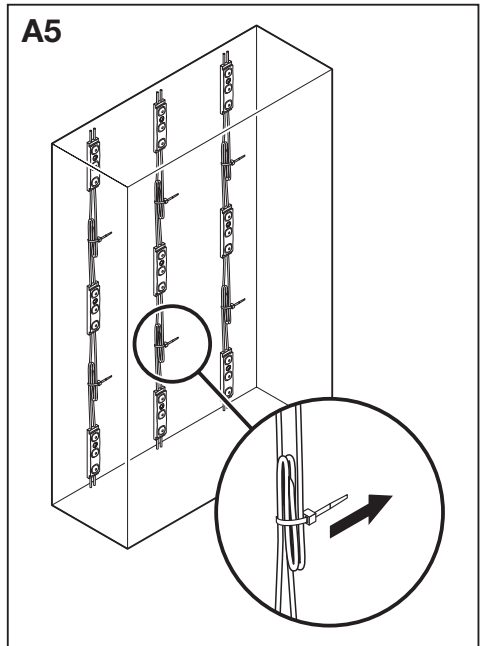
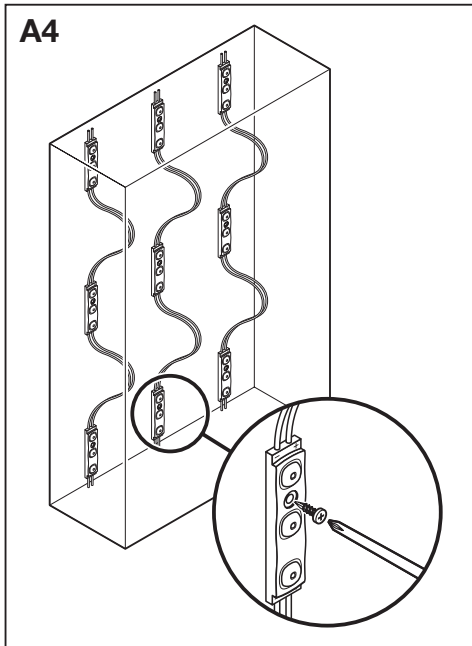
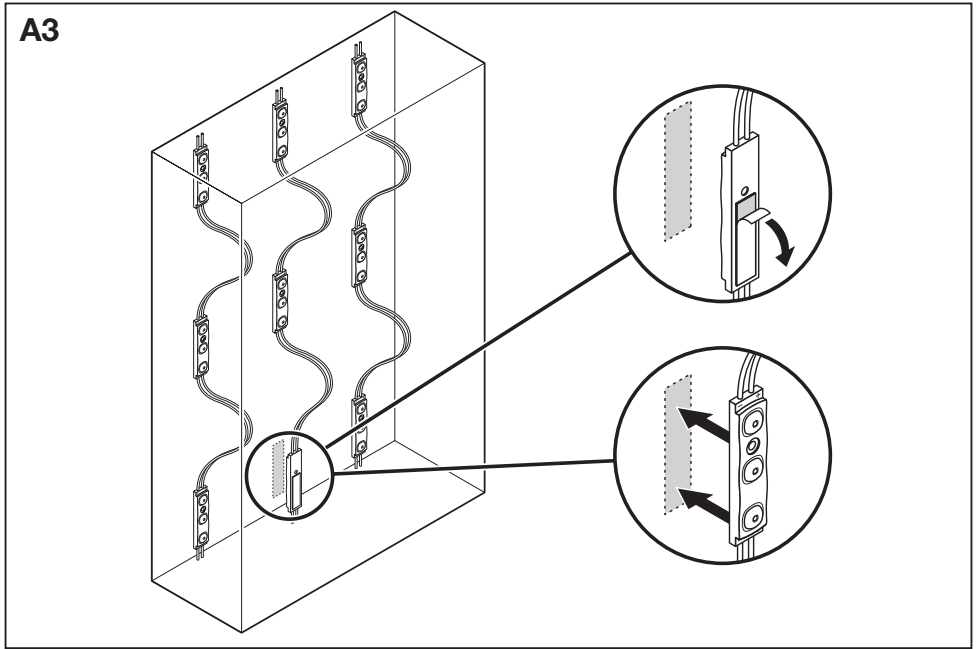
BackLED® M Plus



BackLED® S Plus

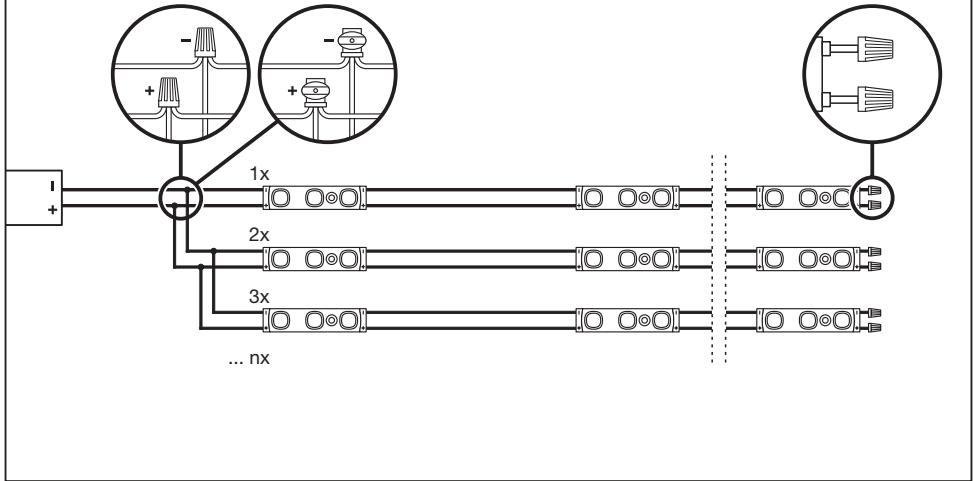






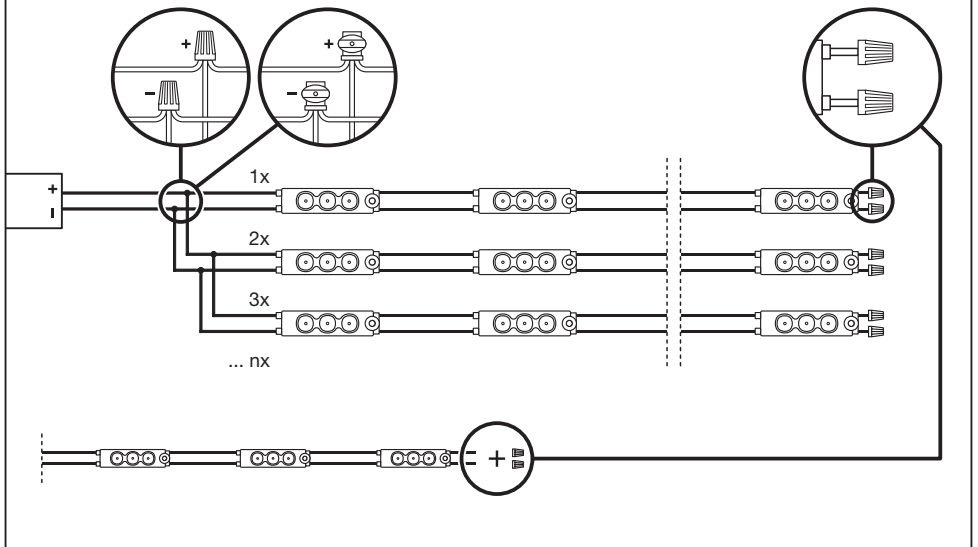
BackLED® L Plus / BackLED® S Plus

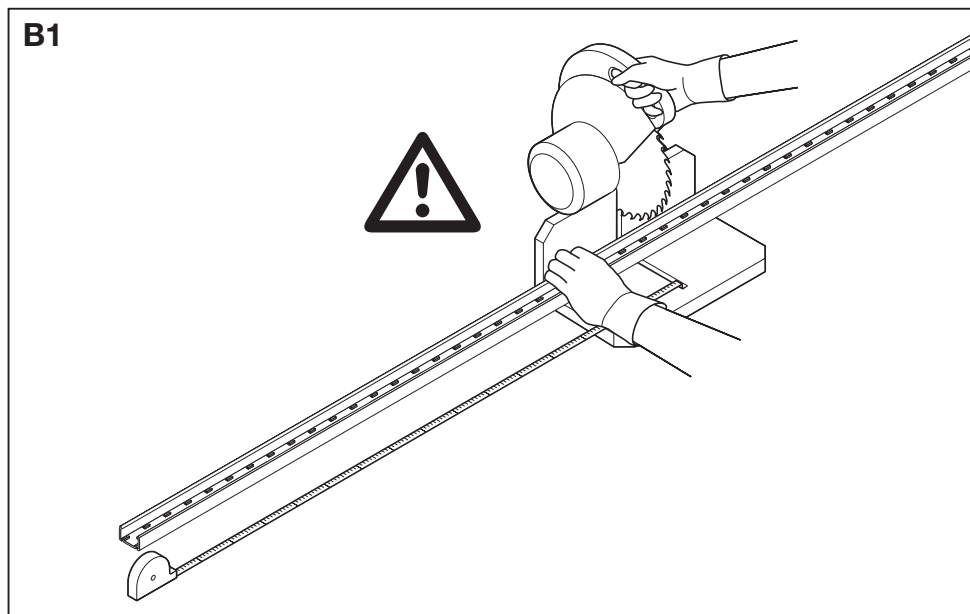
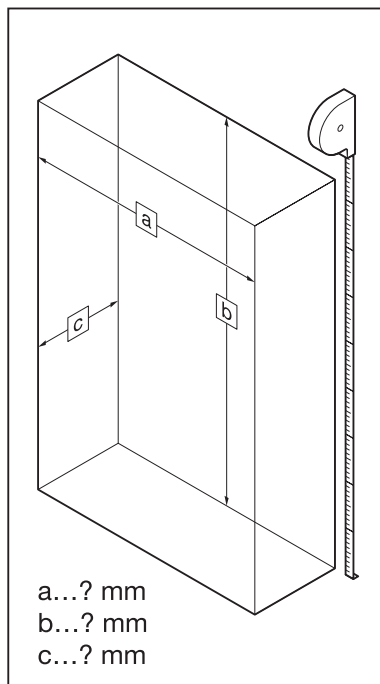
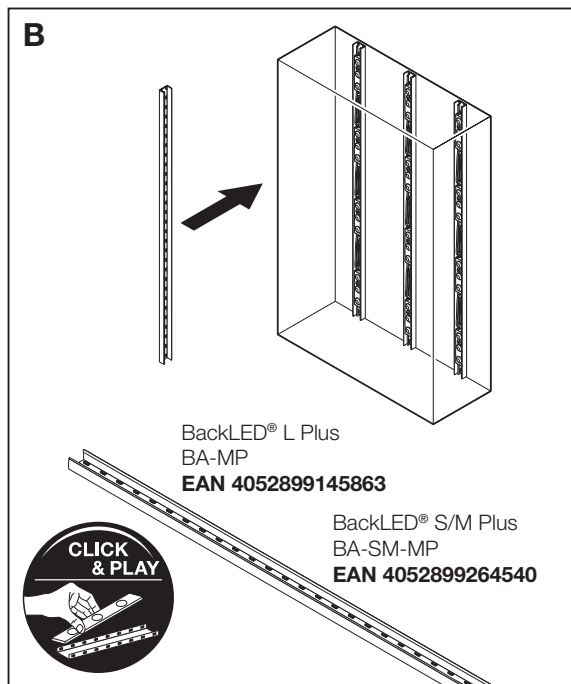
**A6**

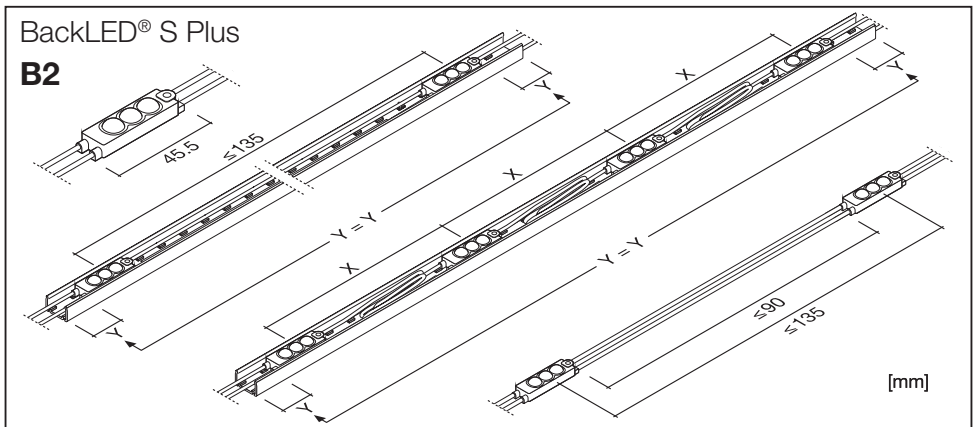
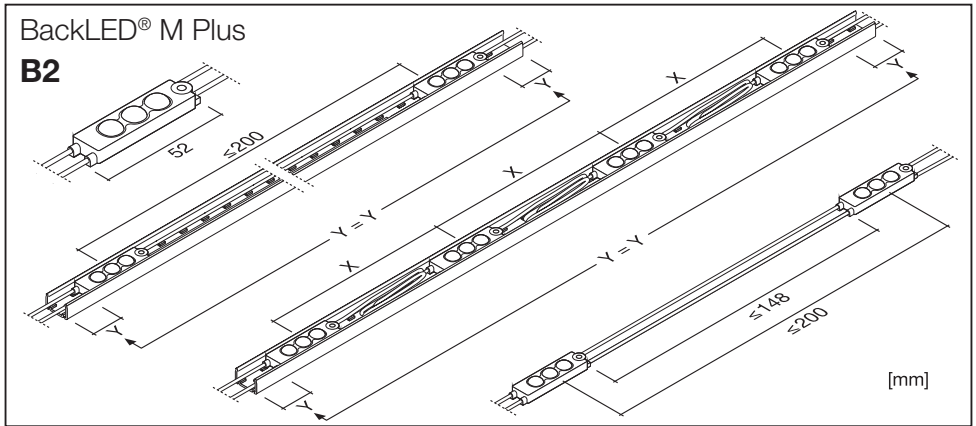
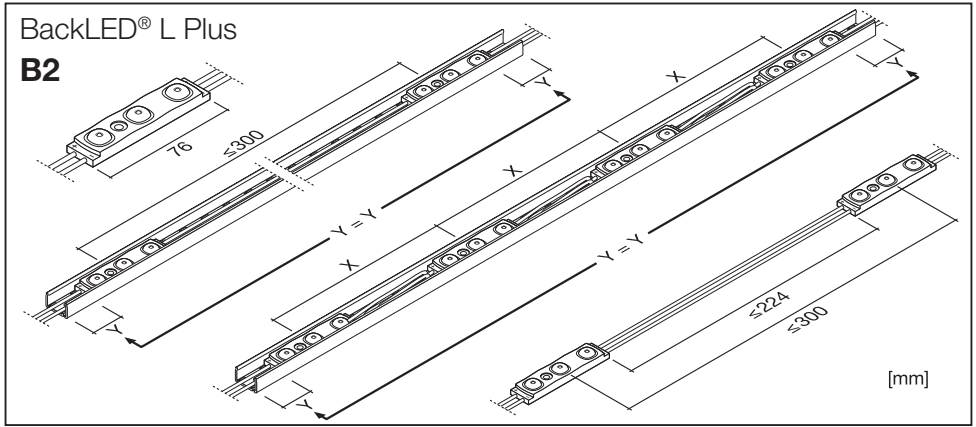


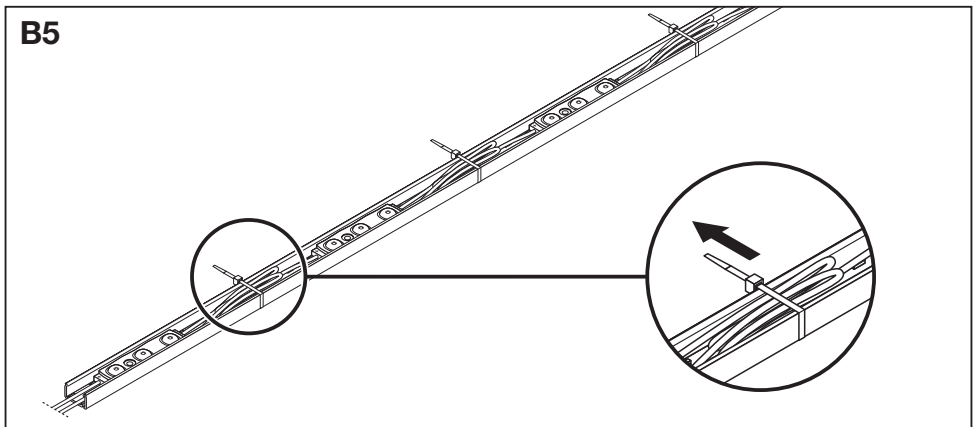
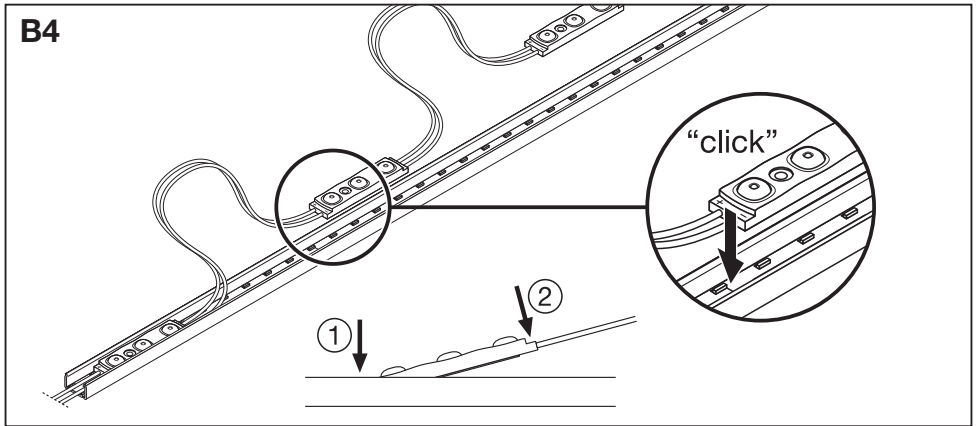
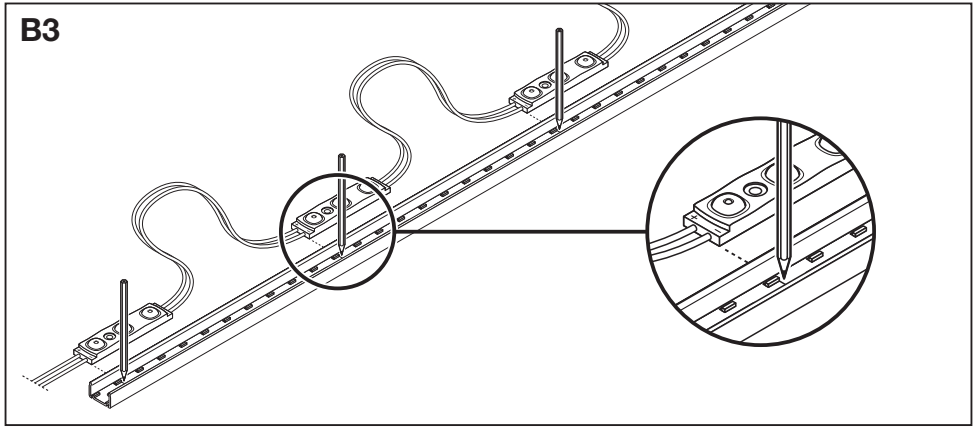
BackLED® M Plus

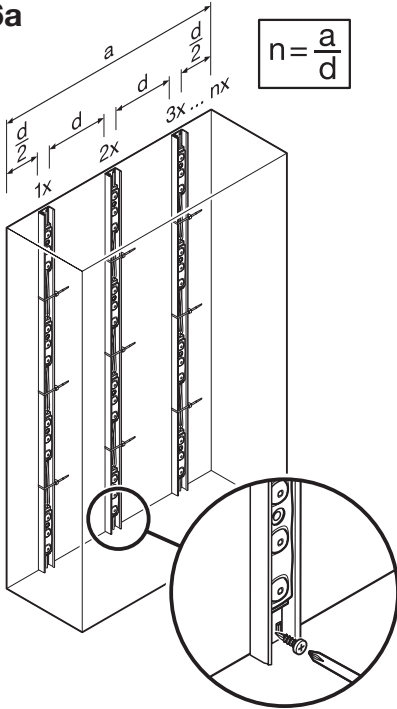
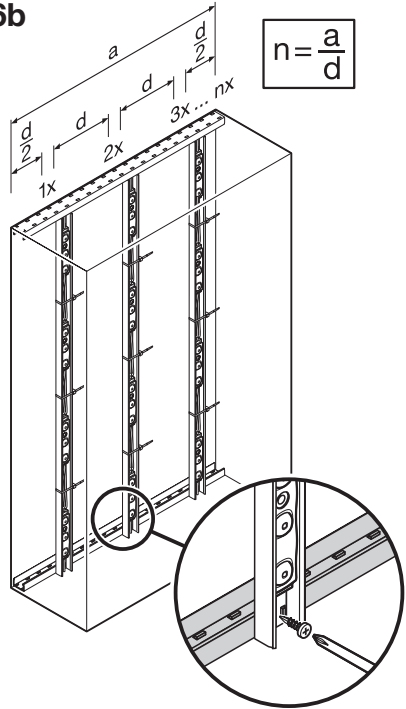
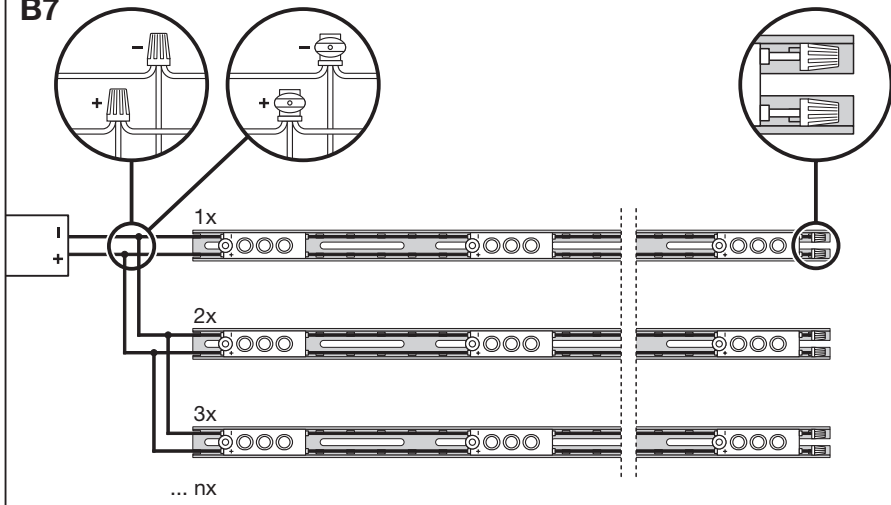
**A6**









**B6a****B6b****B7**

OSRAM China Lighting Ltd.  
 No. 1 North Industrial Road  
 Postal Code: 528000  
 Foshan, Guangdong  
 China



C10449058  
 G15038303  
 02.03.18

OSRAM GmbH  
 Berliner Allee 65  
 86153 Augsburg  
 Germany  
[www.osram.com](http://www.osram.com)