

Connector - with screwless terminals, for harsh applications



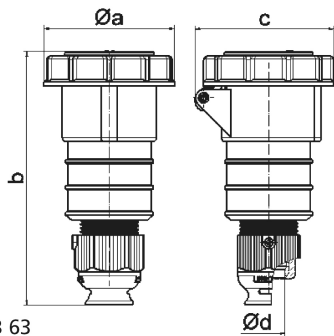
Product description	
BALS-Prd.-Nr	31313
EAN	4024941313131
Product category	Connector QUICK-CONNECT TE
Current	32A
Number of poles	5p
Arrangement of phases	3p+N+PE
Position of earth contact	4 h
Voltage	57/100 - 75/130V~

Product description	
Frequency	50/60Hz
Protection degree	IP67
Colour code	yellow RAL 1012
Colour of appliance	Hinged lid yellow RAL 1012, Enclosure yellow RAL 1012, Bayonet ring grey RAL 7035, Cable gland grey RAL 7035
Connection design	screwless spring terminals as cage clamp with Kontex-contact
Maximum conductor size	6,0 qmm
Cable entry	Cable gland
Height	196mm
Width	101.5mm
Depth	106mm
Material of enclosure	Polyamide
Contacts	The contact carrier is made of high temperature resistant material, the contacts are brass nickel plated

Additional technical properties	
	For cable diameter from 13 up to max. 27 mm, Multi-Grip cable gland with gasket, integrated cable clamp and additional water evacuation openings

Logistics data	
Weight/pcs	0.42 kg / Piece
Packaging	Bag

Logistics data	
Content amount	1 ST
EAN	4024941313131
Length	106 mm
Width	101.5 mm
Height	196 mm
Weight	0.421 kg
Volume	2,108.764 ccm
Packaging	Carton
Content amount	10 ST
EAN	4024941835091
Length	330 mm
Width	216 mm
Height	260 mm
Weight	4.426 kg
Volume	17,062.5 ccm

	Ampere	16	16	16	32	32	32
	Polzahl	3	4	5	3	4	5
a ø	70,5	78,0	86,5	94,0	94,0	101,5	
b	161,0	161,0	168,0	196,0	196,0	200,0	
c	77,0	83,0	93,0	99,0	99,0	107,0	
d ø	18,0	18,0	21,0	23,0	23,0	27,0	
Leiter mm ² min	1	1	1	2,5	2,5	2,5	
Leiter mm ² max	2,5	2,5	2,5	6	6	6	