

## Han Guiding Dummy module, female

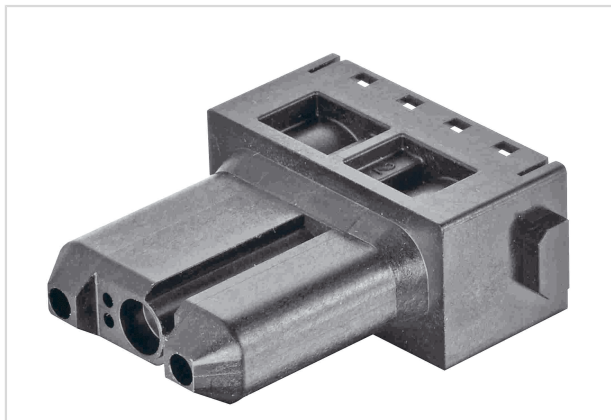


Image is for illustration purposes only. Please refer to product description.

Part number	09 14 003 3150
Specification	Han Guiding Dummy module, female
HARTING eCatalogue	<a href="https://b2b.harting.com/09140033150">https://b2b.harting.com/09140033150</a>

### Identification

Category	Modules
Series	Han-Modular®
Type of module	Han® Guiding module
Size of the module	Single module
Description of the module	Dummy module

### Version

Gender	Female
--------	--------

### Technical characteristics

Limiting temperature	-40 ... +125 °C
Mating cycles	≥500
Lock-in range	±4 mm

### Material properties

Material (insert)	Polycarbonate (PC)
Colour (insert)	RAL 9005 (jet black)
Material flammability class acc. to UL 94	V-0
RoHS	compliant
ELV status	compliant
China RoHS	e
REACH Annex XVII substances	Not contained
REACH ANNEX XIV substances	Not contained



**Pushing Performance**  
Since 1945

## Material properties

REACH SVHC substances	Not contained
California Proposition 65 substances	Not contained
Fire protection on railway vehicles	EN 45545-2 (2020-08)
Requirement set with Hazard Levels	R22 (HL 1-3) R23 (HL 1-3)

## Specifications and approvals

Specifications	IEC 60664-1 IEC 61984
----------------	--------------------------

## Commercial data

Packaging size	2
Net weight	1 g
Country of origin	China
European customs tariff number	85389099
GTIN	5713140184688
eCl@ss	27440392 Connector (accessories)