

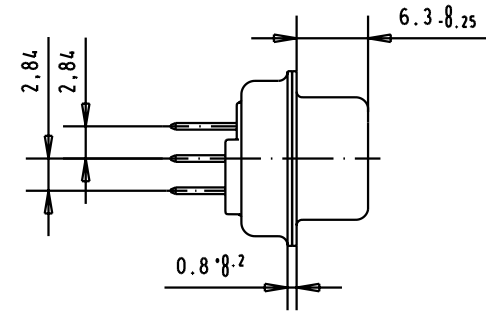
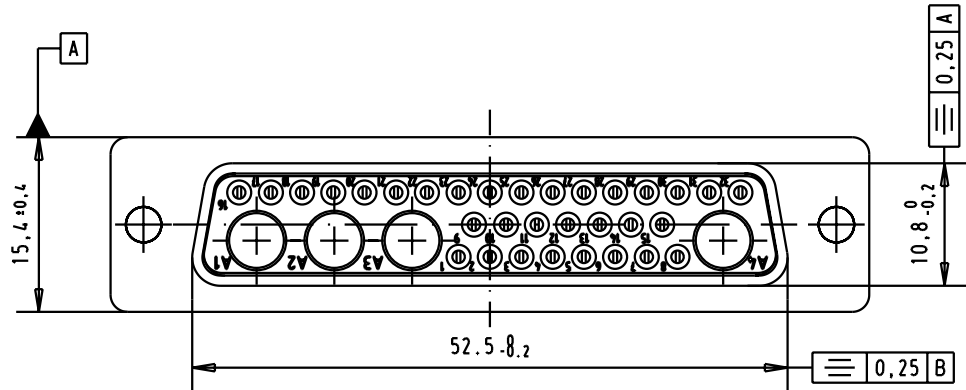
5

4

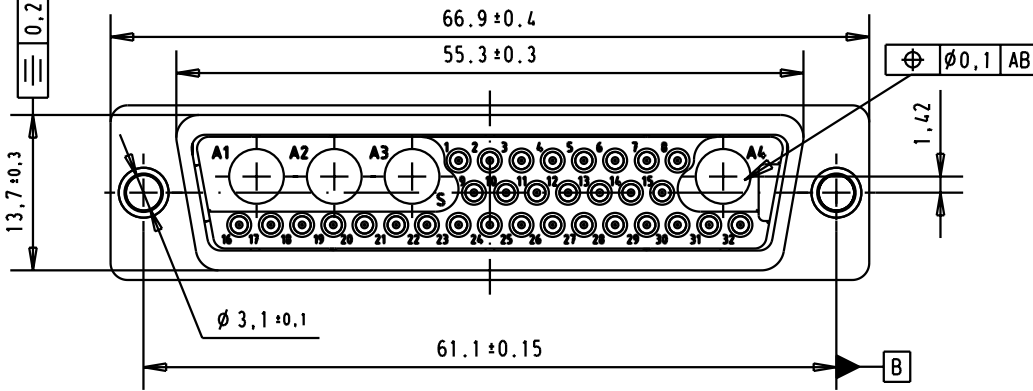
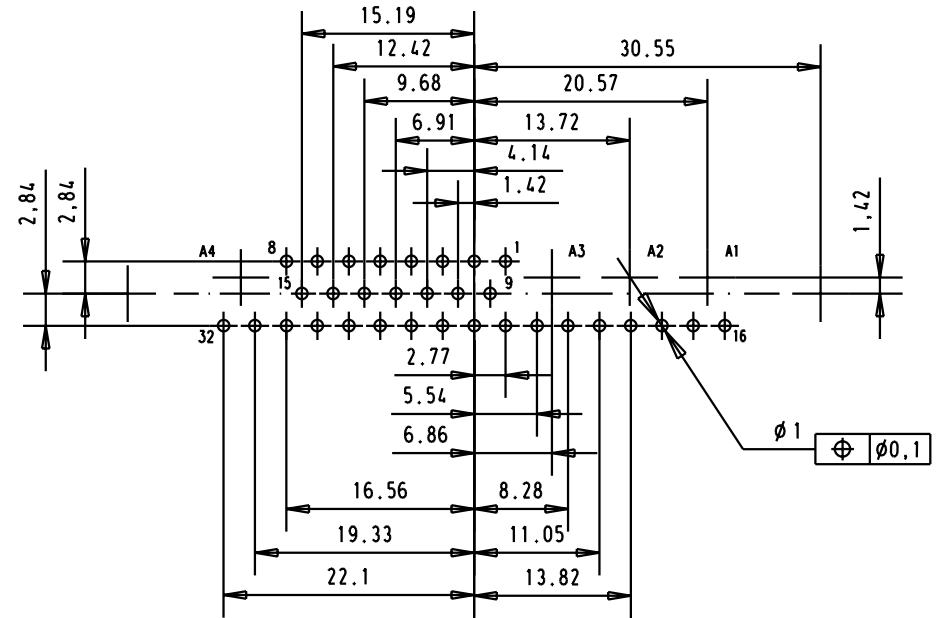
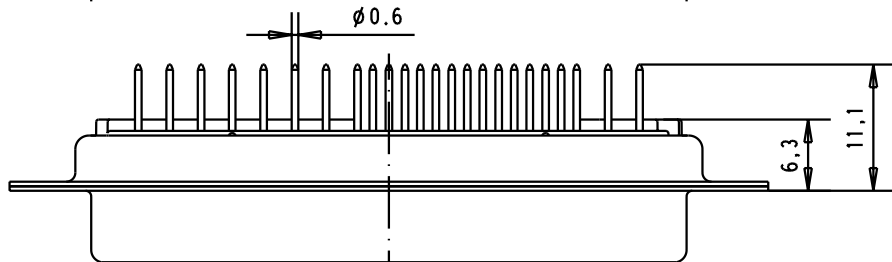
3

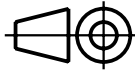

2

1



PCB hole pattern, mounting side



			Dat.	Name	 All Dim. in mm Orig. Size DIN A 4	D-Sub, female, straight, 36W4 solder, with tin plated shell, without female power contacts	Maßstab/ Scale 1,5:1
		Detail.	22/04/03	P.P.			
		Insp.					
		Stand.					
31490	22/04/03	P.P.	HARTING ELEKTRONIK F-95972 Paris			 TB 09 69 505 5364	Blatt/ Page /
Mod.	Dat.	Name	Sub.				