

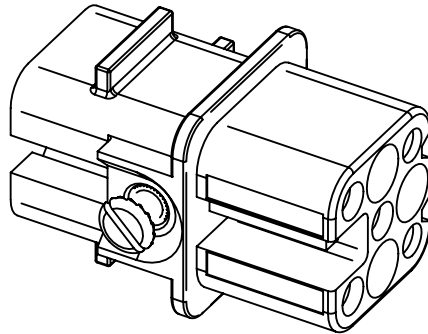
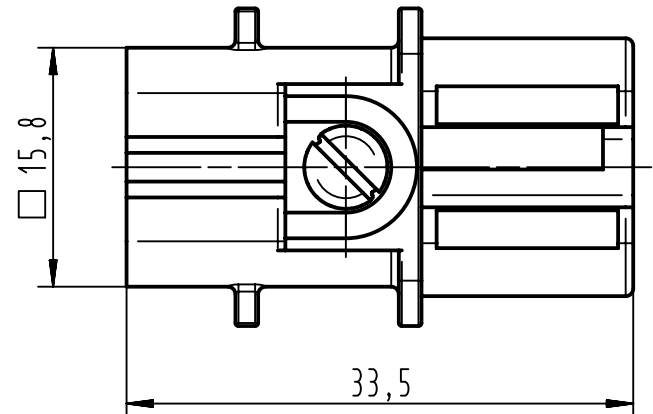
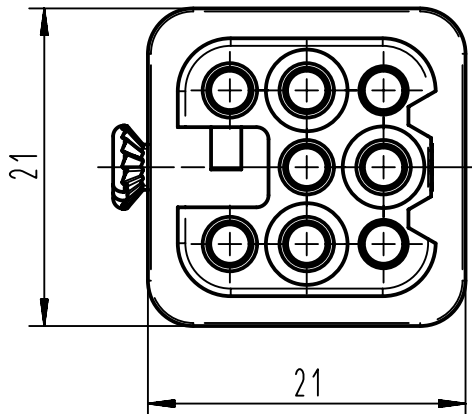
1 2 3 4 5 6


A

B

C

D



|   |   |  |                                     |  |                       |  |                            |  |  |  |                        |  |
|---|---|--|-------------------------------------|--|-----------------------|--|----------------------------|--|--|--|------------------------|--|
|  | All rights reserved<br>Department EL PD             |  | Created by<br>HELLMANN              |  | Inspected by<br>RIEPE |  | Standardisation<br>RUETERA |  | Date<br>2020-05-14                                       |  | State<br>Final Release |  |
|   | HARTING Electric GmbH & Co. KG<br>D-32339 Espelkamp |  | Title<br>Han 8D FEMALE INSERT CRIMP |  |                       |  |                            |  | Doc-Key / ECM-Nr.<br>100089544/UGD/005/B<br>500000171673 |  | Rev. <b>B</b>          |  |