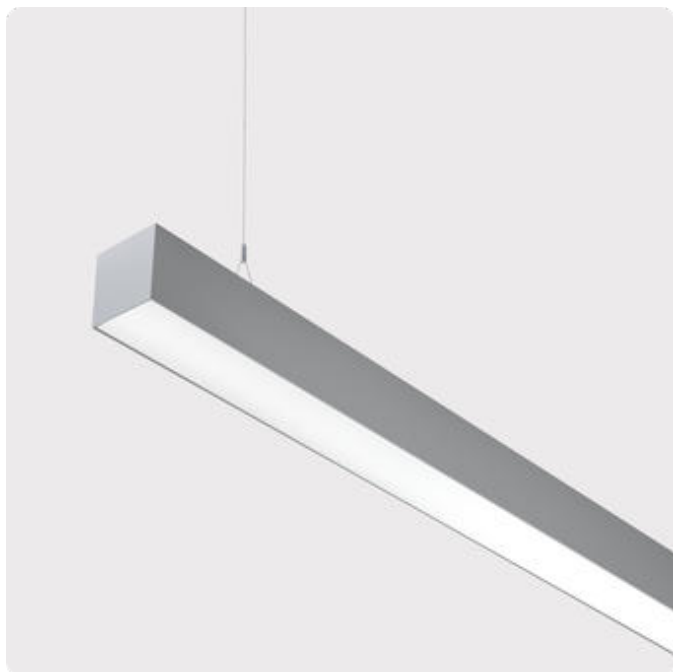


lightnet

Matric-G5

Pendant light-line - Direct light distribution

Article code: LG5OEL-840H-L890-Y



Illustrations may only be similar and serve as an orientation.

Matric-G5. LED. Pendant light-line. Luminaire body made of high-quality aluminum profile. Surface finish Silver Anodised. Direct only light distribution. Colour temperature: 4000K (Cool White). Colour Rendering Index (CRI): >80. Opal diffuser for enhanced light transmission and perfect uniform illumination. Dimmable DALI. LxWxH (rectangular). L=890mm. W=81mm. H=81mm. Y-cord suspension with power supply cable and ceiling rose (Set). Pendant length max 1500mm. Power supply: transparent. Ceiling rose:

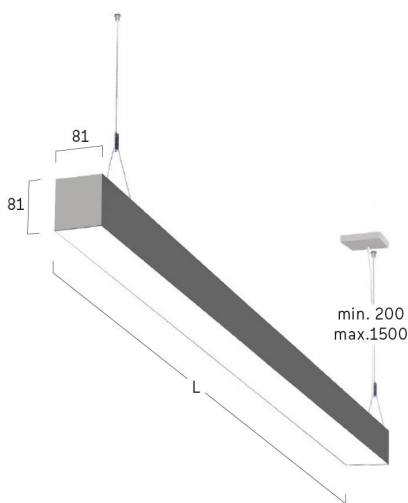
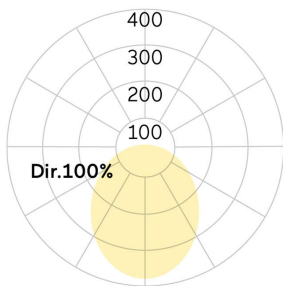
Matching luminaire's surface colour. High-power current. 3600lm. 31W. 3,5kg. Binning initial <= MacAdam 3. IP20. Protection class I. CE, UKCA marking. Prüfzeichen: ENEC. IK02. 220-240V. 50-60 Hz. RG0 (EN62471). Luminous flux reduction up to 0,4%/1.000 operating hours. Nominal failure rate: 0,2%/1.000 operating hours. L80B10 (tq 25°C) = 50.000h. 5 years warranty. Manufacturer: Lightnet GmbH, ISO 9001:2015 and 50001:2018 certified.

lightnet

Matric-G5

Pendant light-line - Direct light distribution

Article code: LG5OEL-840H-L890-Y



Customer / Project: _____

Note: _____

| | |
|------------------------------|---|
| Productname | Matric-G5 |
| Lamp | LED |
| Installation Type | Pendant light-line |
| Surface finish | Silver Anodised |
| Light characteristics | Direct light distribution |
| Colour temperature | 4000K |
| Colour Rendering Index (CRI) | CRI>80 |
| Optical system | Opal diffuser |
| Control | Dimmable (DALI) |
| Length L/Diameter D (mm) | L=890mm |
| Width W (mm) | W=81mm |
| Height H (mm) | H=81mm |
| Current/Power | High-Power |
| Luminous Flux | 3600lm |
| Power consumption | 31W |
| Suspension | Y-susp. (Set) |
| Ceiling rose colour | Ceiling rose: Matching luminaire`s surface colour |
| Pendant length (mm) | Pendant length max 1500mm |
| Degree of protection | IP20 |
| Certification | Prüfzeichen: ENEC |
| Cable Colour | Power supply: transparent |
| LED lifetime | L80B10 (tq 25°C) = 50.000h |
| Photometric code | 8 40 / 3 3 9 |
| Photobiological class | RG0 (EN62471) |
| Indoor/Outdoor | Indoor: ta [ambient] max. 25°C |
| Weight (kg) | 3,5kg |

