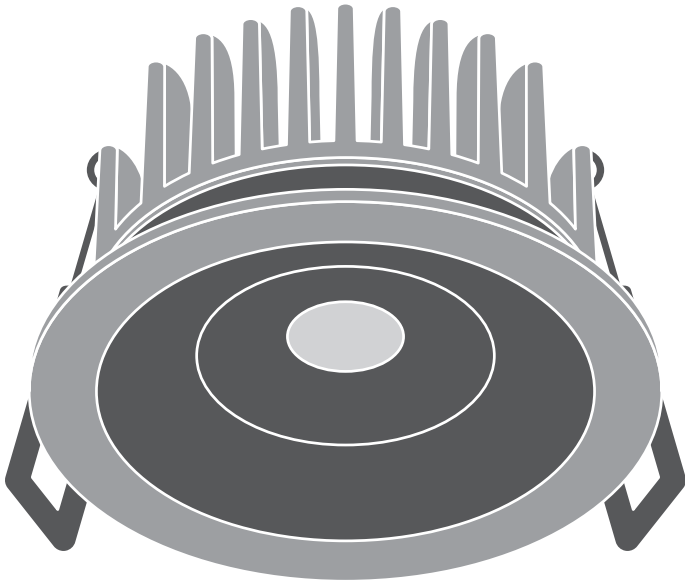







---

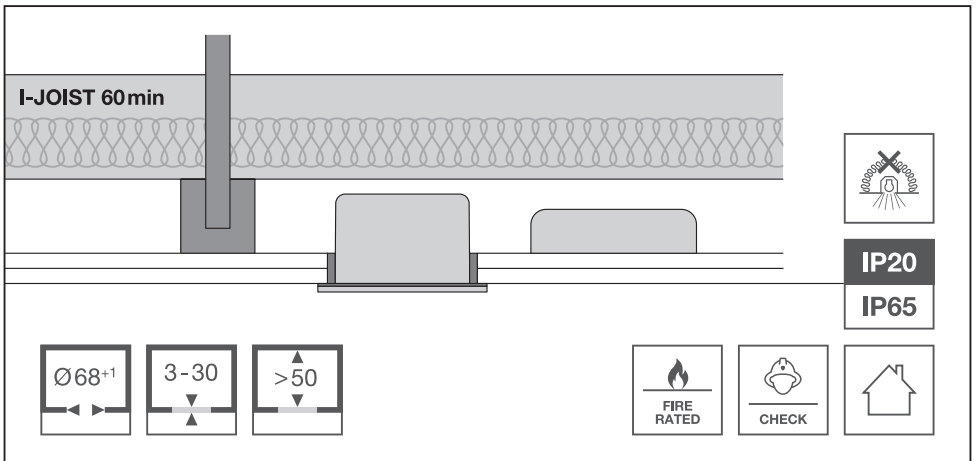
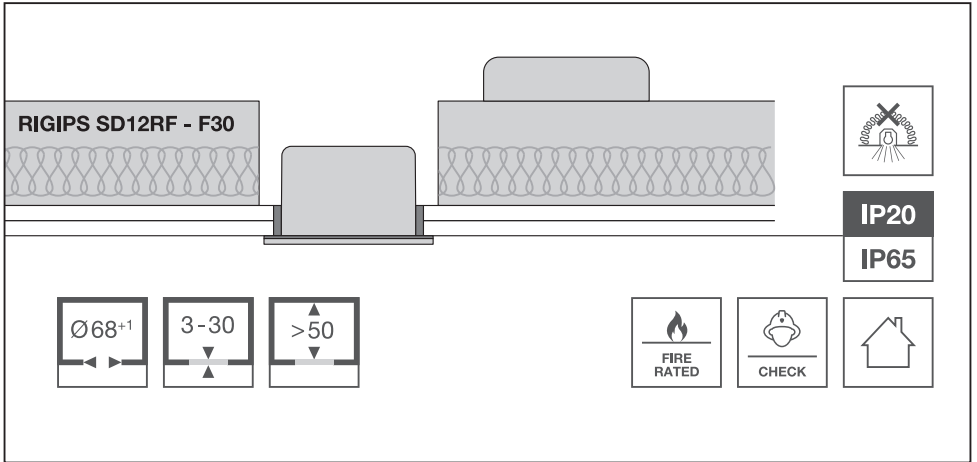
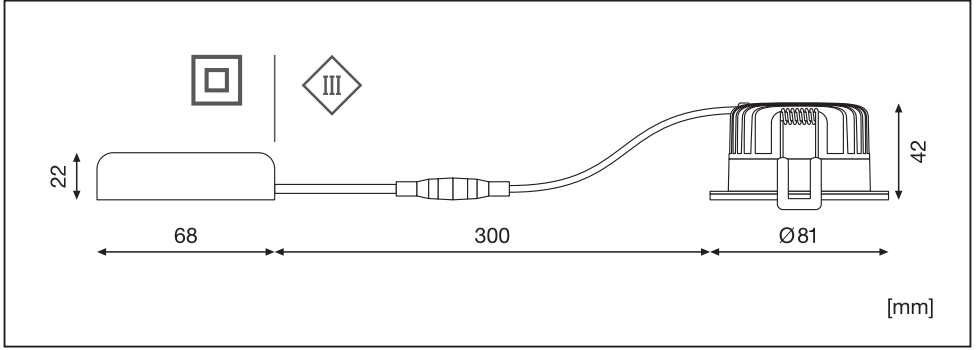
**SPOT FIRE RATED**

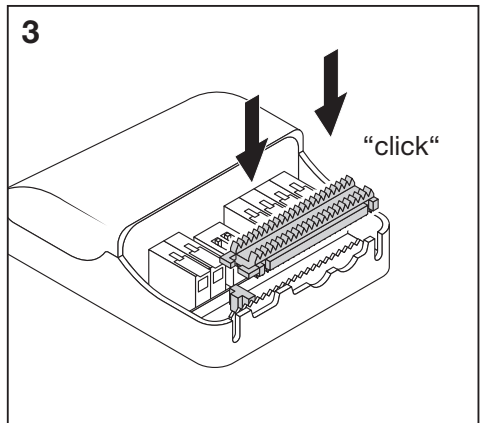
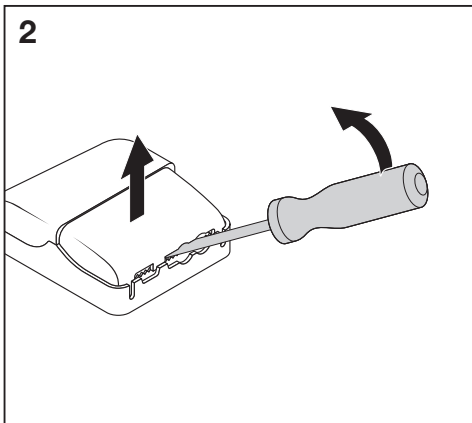
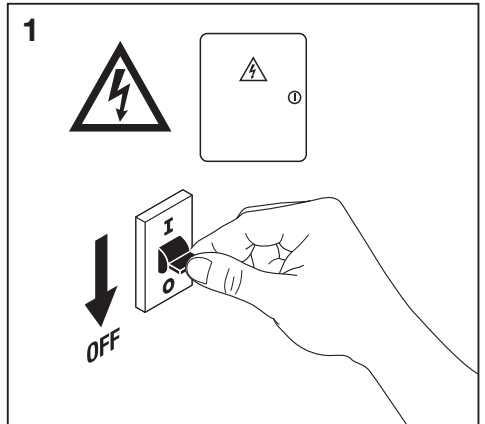
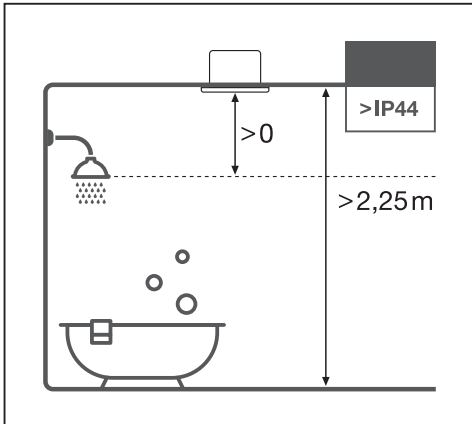
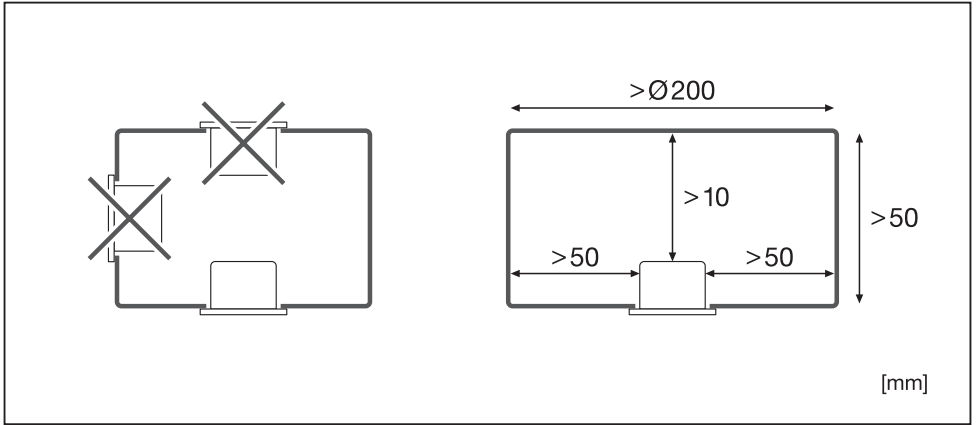
---






	EAN	W	Hz	PF	lm	lm/W	K	R <sub>a</sub>	
SP FP FIX P 8W 927 PS DIM IP65 WT	4058075799721	8	50/60 Hz	> 0.9	640	80	2700	90	36°
SP FP FIX P 8W 930 PS DIM IP65 WT	4058075799745	8	50/60 Hz	> 0.9	680	85	3000	90	36°
SP FP FIX P 8W 940 PS DIM IP65 WT	4058075799769	8	50/60 Hz	> 0.9	720	90	4000	90	36°
SP FP FIX P 8W 927 PS DIM IP65 BK	4099854000027	8	50/60 Hz	> 0.9	640	80	2700	90	36°
SP FP FIX P 8W 930 PS DIM IP65 BK	4058075799783	8	50/60 Hz	> 0.9	680	85	3000	90	36°



	EAN	 CC mA	 V <sub>DC</sub>	IP	IK	Ø x h [mm]		 (°C)
SP FP FIX P 8W 927 PS DIM IP65 WT	4058075799721	180	30 - 40	65/20	05	81x42	0.3 kg	-20...+40
SP FP FIX P 8W 930 PS DIM IP65 WT	4058075799745	180	30 - 40	65/20	05	81x42	0.3 kg	-20...+40
SP FP FIX P 8W 940 PS DIM IP65 WT	4058075799769	180	30 - 40	65/20	05	81x42	0.3 kg	-20...+40
SP FP FIX P 8W 927 PS DIM IP65 BK	4099854000027	180	30 - 40	65/20	05	81x42	0.3 kg	-20...+40
SP FP FIX P 8W 930 PS DIM IP65 BK	4058075799783	180	30 - 40	65/20	05	81x42	0.3 kg	-20...+40

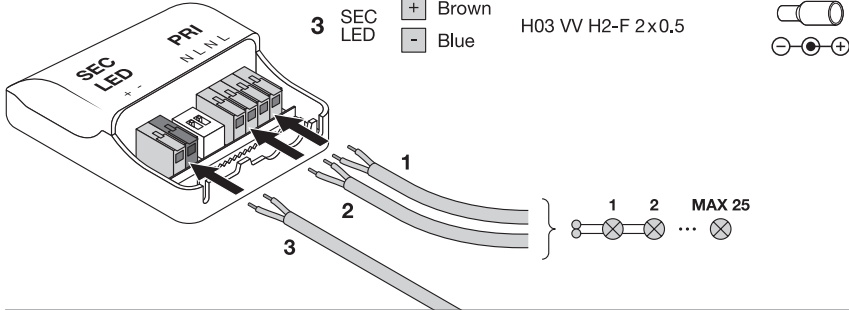




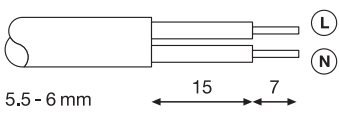
**4**

- 1** N Blue H03 VV-F 2x0.75 D5.5 
- 2** PRI L Brown H05 VV-F 2x1.0 D6.0 
- H05 VV-F 2x1.5 D7.5 

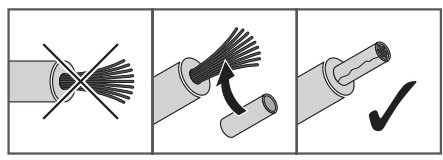
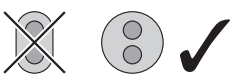
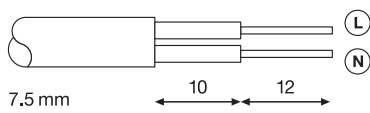
- 3** SEC LED + Brown H03 VV H2-F 2x0.5 
- SEC LED - Blue 






**H03 VV-F 2 x 0.75 D 5.5**  
**H05 VV-F 2 x 1.0 D 6.0**



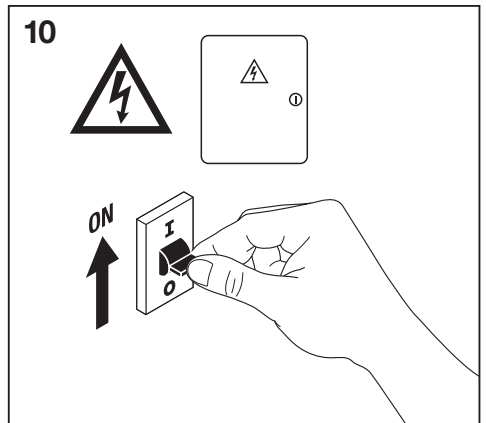
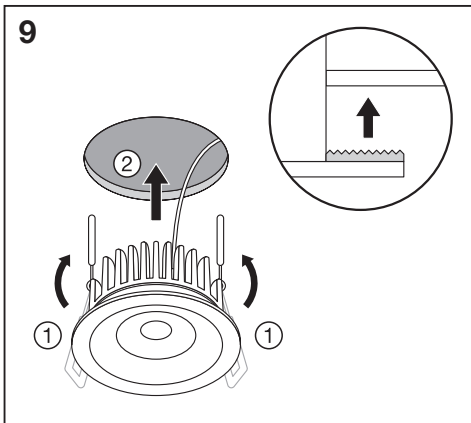
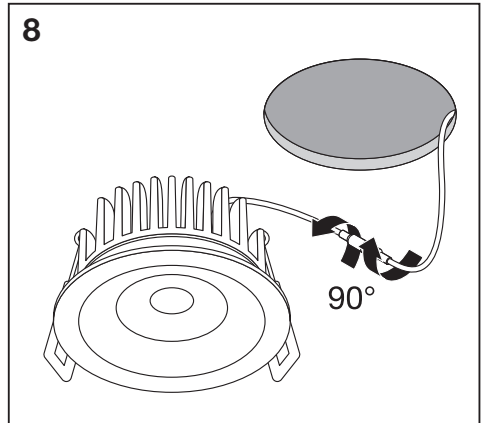
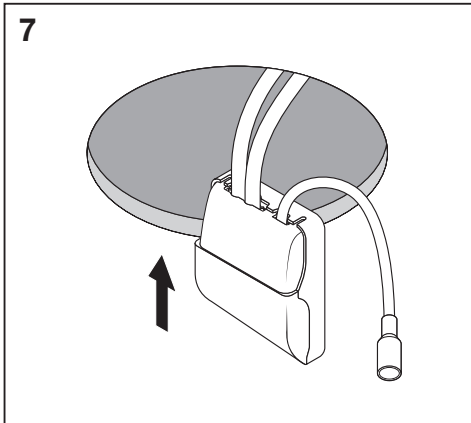
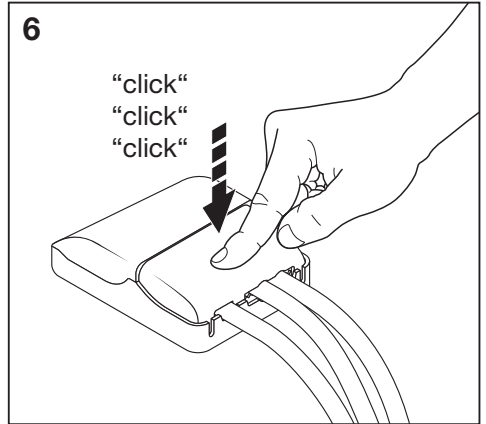
**H05 VV-F 2 x 1.5 D 7.5**



<b>C10</b> 	<b>B16</b> 	<b>C16</b> 
n = 210	n = 336	n = 336

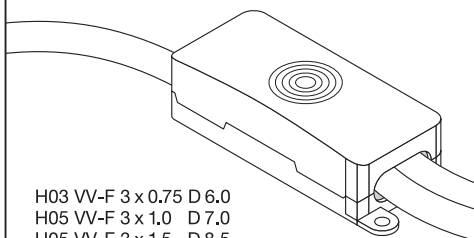
**5**

	✓	✓	✓	○
Current (CC)	85mA	140mA	180mA	140mA
Power	4W	6W	8W	6W
% rated lumen	50%	80%	100%	80%

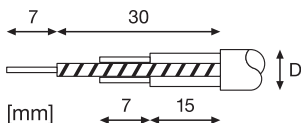


**CONNECTOR BOX 3 POLE**

EAN 4099854013508

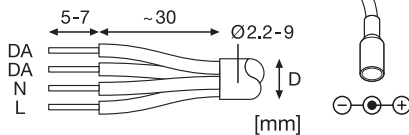
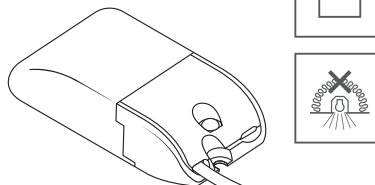


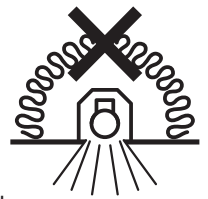
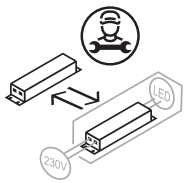
H03 VV-F 3 x 0.75 D 6.0  
 H05 VV-F 3 x 1.0 D 7.0  
 H05 VV-F 3 x 1.5 D 8.5



**SP DRIVER DALI**

EAN 4099854089558





FR

Cet appareil et ses accessoires se recyclent

À DÉPOSER EN MAGASIN

À DÉPOSER EN DÉCHÈTERIE



OU



Points de collecte sur [www.quefairedemesdechets.fr](http://www.quefairedemesdechets.fr)



LEDVANCE GmbH  
Steinerne Furt 62  
86167 Augsburg, Germany  
[www.ledvance.com](http://www.ledvance.com)

C10449058  
G11170244

15.05.23

© LEDVANCE Ltd, Aquila House  
Delta Crescent, Westbrook, Warrington  
WA5 7NR, United Kingdom