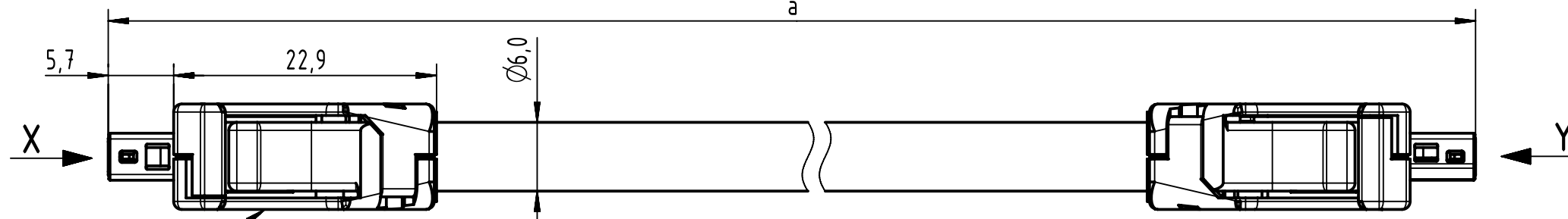
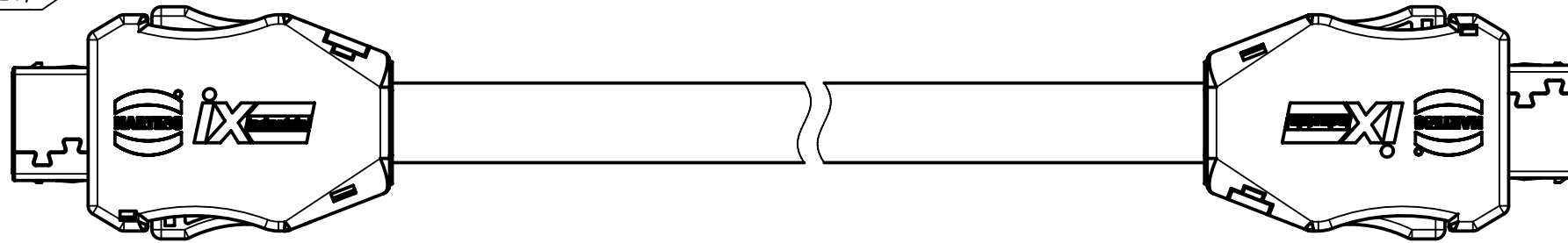


Connector Location A

Connector Location B



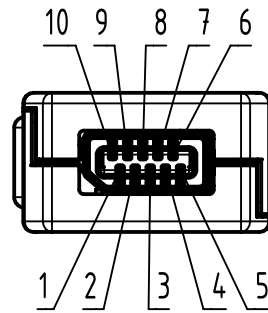
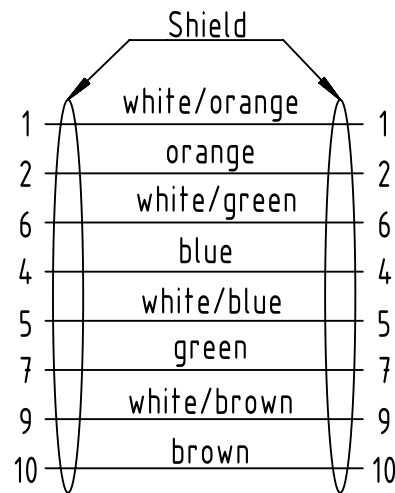
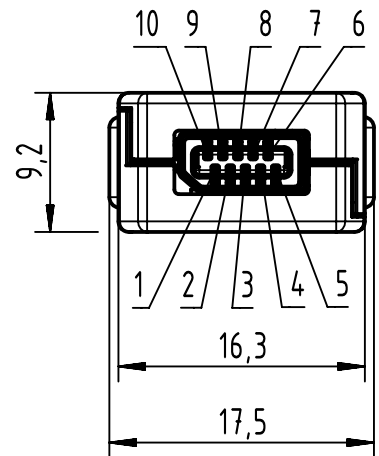
HARTING ix Industrial Cat. 6A,
10-pole, Type A Solder (IP20)



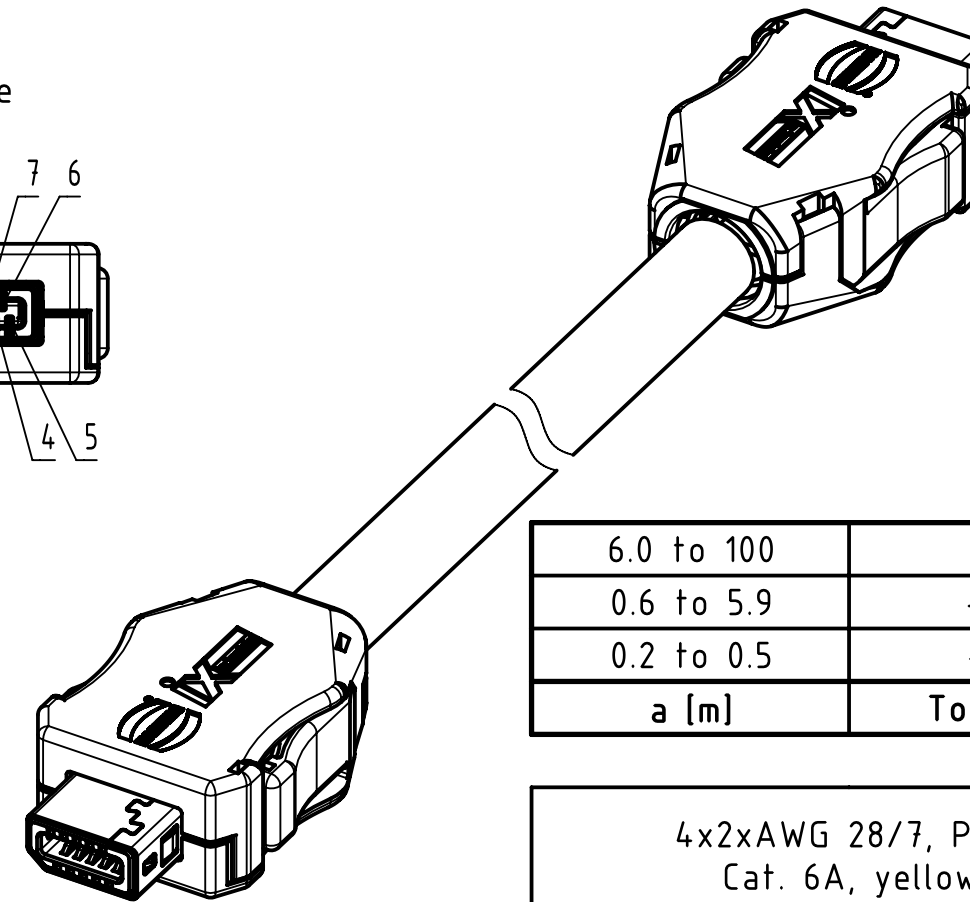
X
male

Loading Plan
acc. to TIA/EIA 568B

Y
male



Contacts 3 and 8
are not connected
on both sides



6.0 to 100	±1%
0.6 to 5.9	+0.04
0.2 to 0.5	+0.02
a [m]	Tolerance

length in "1m" step	100	XXX=000
	99	XXX=990
	12	XXX=120
	11	XXX=110
length in "0.1m" step	10	XXX=100
	9.9	XXX=099
	9.8	XXX=098
	0.5	XXX=005
	0.4	XXX=004
	0.3	XXX=003
	0.2	XXX=002
Step	a [m]	XXX

4x2xAWG 28/7, PVC,
Cat. 6A, yellow

09482626749XXX

Type of cable

Part no.

- Temperature range: -40°C ... +80°C

All Dimensions in mm		Tech. Character.		Free size tol.		According to production drawing	
All rights reserved Department HCS - RO		Created by 402990 Costa	Inspected by COSTEA Costea	Standardisation MUNTEANV Muntean	Date 2020-10-12	State Final Release	
HARTING Customised Solutions D-32339 Espelkamp		Title ix Industrial PVC cable assembly				Doc-Key / ECM-Nr. 100695544/UGD/000/E 500000181090	
		Type TB	Number 09482626749XXX			Rev. E	Page 1/1