

Panel mounting appliance inlet, straight TN - flange 85x85, fixing centers 70x70

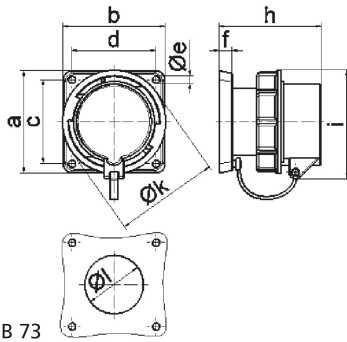


| Product description | |
|---------------------------|---|
| BALS-Prd.-Nr | 2892 |
| EAN | 4024941028929 |
| Product category | TN panel mounting appliance inlet, straight |
| Current | 16A |
| Number of poles | 3p |
| Poles | 2P+PE |
| Position of earth contact | 6 h |
| Voltage | 200 up to 250V |

| Product description | |
|--------------------------------|--|
| Frequency | 50 and 60Hz |
| VG-Type-No.: | VG 96919 AP 037 |
| Protection degree | IP67 |
| Colour code | bronze-green RAL 6031-F9 |
| Colour of appliance | Bayonet ring bronze-green RAL 6031-F9, Collar bronze-green RAL 6031-F9, Closure cap bronze-green RAL 6031-F9, Enclosure bronze-green RAL 6031-F9 |
| Connection design | with screw terminal |
| Maximum conductor size | 2,5 qmm |
| Cable entry | other |
| Height | 85mm |
| Width | 85mm |
| Depth | 83mm |
| Flange size vertical | 85mm |
| Flange size horizontal | 85mm |
| Drill hole distance vertical | 70mm |
| Drill hole distance horizontal | 70mm |
| Material of enclosure | Polyamide |
| Contact | The contact carrier is made of high temperature resistant material, the contacts are brass nickel plated |

| Additional technical properties | |
|---------------------------------|------------------|
| | With closure cap |

| Logistics data | |
|----------------|------------------|
| Weight/pcs | 0.207 kg / Piece |
| Packaging | Bag |
| Content amount | 1 ST |
| EAN | 4024941028929 |
| Length | 83 mm |
| Width | 85 mm |
| Height | 85 mm |
| Weight | 0.208 kg |
| Volume | 599.675 ccm |
| Packaging | Carton |
| Content amount | 10 ST |
| EAN | 4024941819190 |
| Length | 245 mm |
| Width | 177 mm |
| Height | 185 mm |
| Weight | 2.203 kg |
| Volume | 7,140 ccm |



| Ampere | 16 | 16 | 16 | 32 | 32 | 32 |
|----------------------------|------|------|------|------|------|-------|
| Polzahl | 3 | 4 | 5 | 3 | 4 | 5 |
| a | 85,0 | 85,0 | 85,0 | 85,0 | 85,0 | 85,0 |
| b | 85,0 | 85,0 | 85,0 | 85,0 | 85,0 | 85,0 |
| c | 70,0 | 70,0 | 70,0 | 70,0 | 70,0 | 70,0 |
| d | 70,0 | 70,0 | 70,0 | 70,0 | 70,0 | 70,0 |
| e ø | 6,3 | 6,3 | 6,3 | 6,3 | 6,3 | 6,3 |
| f | 11,0 | 11,0 | 11,0 | 11,0 | 11,0 | 11,0 |
| h | 84,0 | 84,0 | 85,0 | 94,0 | 94,0 | 94,0 |
| i | 82,5 | 86,0 | 91,0 | 96,5 | 96,5 | 104,0 |
| k ø | 70,5 | 78,5 | 86,5 | 94,0 | 94,0 | 101,5 |
| l ø | 49,0 | 49,0 | 49,0 | 49,0 | 49,0 | 49,0 |
| Leiter mm ² min | 1,0 | 1,0 | 1,0 | 2,5 | 2,5 | 2,5 |
| Leiter mm ² max | 2,5 | 2,5 | 2,5 | 6,0 | 6,0 | 6,0 |