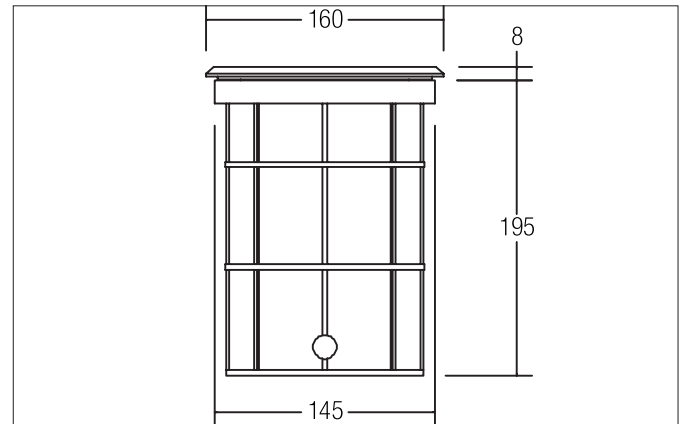


LED-floor recessed light, IP65
Article no. 14114223

Light.
For Generations.



Tender

LED-Bodeneinbauleuchte, IP65, Round. Installation opening \varnothing 145 mm, Installation depth 195 mm, Weight 1,810 Kg, with rotations-symmetrical, deep, wide distributed light intensity. optimal light distribution due to a glass transparent cover. Luminous flux 500 lm, Power 1 x 5 W, System Efficiency 100 lm/W, Light colour warm white, Correlated color temprature (CCT) 3.000 K, Colour rendering index CRI > 80, Permissible ambient temperature (ta): -20 °C - +25 °C, Protection class (EN 61140): I, Degree of protection (DIN EN 60529): IP65, inkl. Konverter zum Anschluss an 230 V-Netzspannung, schaltbar, 2 x M16-Verschraubung zur Durchgangsverdrahtung und Montagehülse, Max. Belastung 500 Kg, The recessed luminaire is not suitable for installation in traffic areas. With electronic driver, on/off .

Article data	
Article no.	14114223
GTIN	4251433907275
Short description	LED-floor recessed light, IP65
Material	Stainless steel / Aluminium / Glass
Colour	Stainless steel
Shape	Round
Outer diameter	160 mm
Built-in diameter	145 mm
Installation depth	195 mm
Hight	4.5 mm
Scope of delivery	Including a converter for connection with the 230-V mains voltage, switchable, 2 x M16 screw connections for through-wiring and mounting sleeve
Weight	1.810 kg

LED-floor recessed light, IP65
Article no. 14114223

Light.
For Generations.

Lighting technology	
Colour temperature	3000 K
Light colour	White
Luminous flux	500 lm
System efficiency	100 lm/W
Colour rendering	CRI > 80
Reflector	High-gloss
Beam angle	38°
Light sharing	Symmetric

Operating technology of the luminaire	
System output	5 W
Voltage type	AC
AC nominal voltage max	230 V
Frequenz max.	50 Hz
Lamp	LED
Protection class	I
Degree of protection	IP65
Control	on/off

Mounting technology	
Mounting method	Recessed mounting
Place of installation	Floor-mounted
Adjustability	Pivoted
Swivel angle	20°
Max. load	500 kg
Over rollable	No
Material cover	Glass transparent
Suitable for through-wiring	No

Packing data	
Gross weight	2.22 kg
Length of packaging	300 mm
Packaging width	300 mm
Packaging height	180 mm
Disposal at end of life	<p>This product must not be disposed of with household waste. You are obliged, to dispose of such electrical waste separately.</p> <p>By disposing of electrical waste and other old or defective electronics separately, you support recycling or other forms of re-use. In that way you help to take care and to avoid that harmful substances get into the environment.</p>