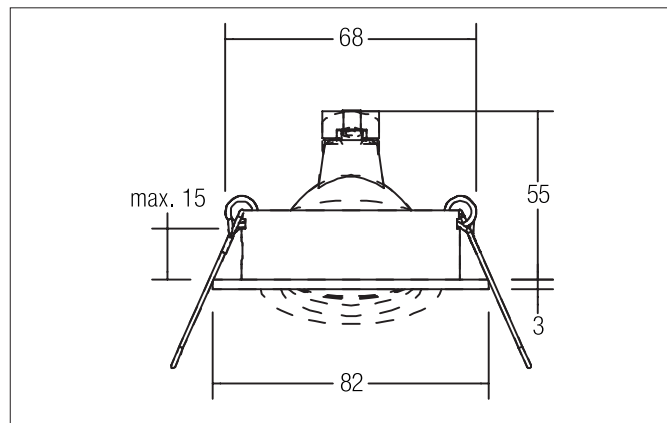
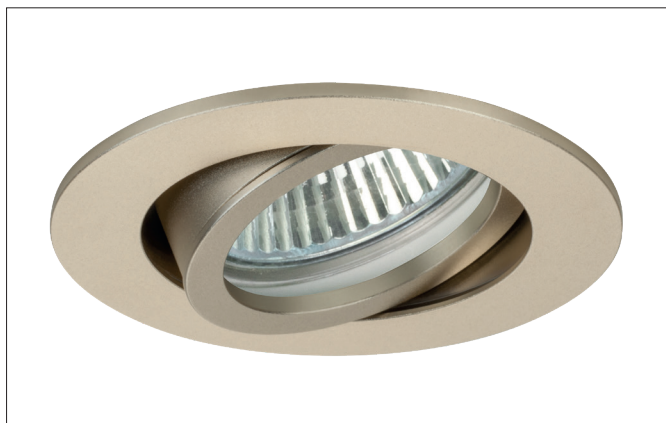


**TIRREL-R Recessed spot, GX5,3**

Article no. 0063.63

Light.  
For Generations.**Tender**

Recessed spot, GX5,3, champagne, Round. In a compact design, for installation in tool-less rapid assembly systems. Lamp holder: GX5.3, Mounting method: Recessed mounting, Place of installation: Ceiling-mounted, Material: Aluminium, Degree of protection: according to DIN EN 60529 IP20, Protection class: (EN 61140) III, Voltage: 12V, Power: 50W, Amount of light sources / fittings: 1.0 Qty, Adjustability: Pivoted, With control gear: No, Dimmable: Depending on type of control gear, Control: Dimming depending on driver.

**Product Benefits**

- Recessed spotlight in round shape made of solid aluminum.  
for LED retrofit lamps with base GX5,3.
- Ceiling cutout 68 mm, diameter 82 mm, installation depth 55 mm, IP20.
- Swivel range 25°.
- Large color variation. Without visible snap ring.
- Classic, formally restrained design.
- In the same look also available as GU10 version, as switchable and dimmable set (phase cut or DALI) and as a loudspeaker.
- In addition in the same surface structure and in the same color also available in square version.

**TIRREL-R Recessed spot, GX5,3**

Article no. 0063.63

Light.  
For Generations.

| Article data       |                      |
|--------------------|----------------------|
| Article no.        | 0063.63              |
| GTIN               | 4250047796213        |
| Series name        | TIRREL-R             |
| Short description  | Recessed spot, GX5,3 |
| Material           | Aluminium            |
| Colour             | Champagne            |
| Type of surface    | Matt                 |
| Shape              | Round                |
| Outer diameter     | 82 mm                |
| Built-in diameter  | 68 mm                |
| Installation depth | 55 mm                |
| Hight              | 3 mm                 |
| Weight             | 0.065 kg             |

| Operating technology of the luminaire |                                   |
|---------------------------------------|-----------------------------------|
| System output                         | 50 W                              |
| Voltage type                          | AC/DC                             |
| AC nominal voltage max                | 12 V                              |
| Frequenz max.                         | 50 Hz                             |
| Lamp                                  | For LED-retrofill lamp            |
| Lamp holder                           | GX5.3                             |
| Protection class                      | III                               |
| Degree of protection                  | IP20                              |
| Dimmable                              | Depending on type of control gear |
| Control                               | Dimming depending on driver       |
| Bulb change possible                  | Yes                               |

| Mounting technology    |   |
|------------------------|---|
| Mounting method        | Recessed mounting                                   |
| Place of installation  | Ceiling-mounted                                     |
| Adjustability          | Pivoted   |
| Swivel angle           | 25°   |
| Max. ceiling thickness | 15 mm   |
| Further references     | No cover with thermal insulation material Smarthome |
| Material cover         | Without cover                                       |
| Circlip                | Without circlip                                     |

| Packing data            |   |
|-------------------------|---|
| Gross weight            | 0.086 kg  |
| Length of packaging     | 85 mm   |
| Packaging width         | 35 mm   |
| Packaging hight         | 84 mm   |
| Disposal at end of life | This product must not be disposed of with household waste. You are obliged, to dispose of such electrical waste separately.<br>By disposing of electrical waste and other old or defective electronics separately, you support recycling or other forms of re-use. In that way you help to take care and to avoid that harmful substances get into the environment. |

**TIRREL-R Recessed spot, GX5,3**

Article no. 0063.63

Light.  
For Generations.

| Compatible LED-modules |        |            |                    |               |         |                 |
|------------------------|--------|------------|--------------------|---------------|---------|-----------------|
| Article no.            | Power  | Beam angle | Colour temperature | Luminous flux | Input   | Hight LED-Modul |
| 12925003               | 3 W    | 38°        | 2700 K             | 290 lm        | 350 mA  | 40 mm           |
| 12926003               | 3 W    | 38°        | 3000 K             | 310 lm        | 350 mA  | 40 mm           |
| 12925004               | 3 W    | 38°        | 4000 K             | 340 lm        | 350 mA  | 40 mm           |
| 12923383               | 6 W    | 38°        | 2700 K             | 600 lm        | 350 mA  | 32 mm           |
| 12923603               | 6 W    | 60°        | 2700 K             | 570 lm        | 350 mA  | 32 mm           |
| 12924383               | 6 W    | 38°        | 3000 K             | 680 lm        | 350 mA  | 32 mm           |
| 12924603               | 6 W    | 60°        | 3000 K             | 660 lm        | 350 mA  | 32 mm           |
| 12924384               | 6 W    | 38°        | 3500 K             | 680 lm        | 350 mA  | 32 mm           |
| 12924604               | 6 W    | 60°        | 3500 K             | 660 lm        | 350 mA  | 32 mm           |
| 12923384               | 6 W    | 38°        | 4000 K             | 720 lm        | 350 mA  | 32 mm           |
| 12923604               | 6 W    | 60°        | 4000 K             | 700 lm        | 350 mA  | 32 mm           |
| 12920183               | 6 W    | 18°        | 3000 K             | 640 lm        | 350 mA  | 31 mm           |
| 12920243               | 6 W    | 24°        | 3000 K             | 690 lm        | 350 mA  | 31 mm           |
| 12920003               | 6 W    | 38°        | 3000 K             | 670 lm        | 350 mA  | 31 mm           |
| 12920603               | 6 W    | 60°        | 3000 K             | 620 lm        | 350 mA  | 31 mm           |
| 12920184               | 6 W    | 18°        | 4000 K             | 685 lm        | 350 mA  | 31 mm           |
| 12920244               | 6 W    | 24°        | 4000 K             | 740 lm        | 350 mA  | 31 mm           |
| 12920004               | 6 W    | 38°        | 4000 K             | 720 lm        | 350 mA  | 31 mm           |
| 12920604               | 6 W    | 60°        | 4000 K             | 660 lm        | 350 mA  | 31 mm           |
| 12963383               | 6 W    | 38°        | 3000 K - 1800 K    | 460 lm        | 350 mA  | 32 mm           |
| 12963603               | 6 W    | 60°        | 3000 K - 1800 K    | 430 lm        | 350 mA  | 32 mm           |
| 12953003               | 12 W   | 38°        | 2700 K             | 1,120 lm      | 350 mA  | 70 mm           |
| 12954003               | 12 W   | 38°        | 3000 K             | 1,210 lm      | 350 mA  | 70 mm           |
| 12954004               | 12 W   | 38°        | 3500 K             | 1,240 lm      | 350 mA  | 70 mm           |
| 12953004               | 12 W   | 38°        | 4000 K             | 1,250 lm      | 350 mA  | 70 mm           |
| 12965003               | 12 W   | 38°        | 3000 K - 1800 K    | 930 lm        | 350 mA  | 70 mm           |
| 12983003               | 12.5 W | 38°        | 3000 K             | 920 lm        | 350 mA  | 95 mm           |
| 18101001               | 13.8 W | 45°        | RGB                |               | 12.00 V | 52 mm           |
| 12823003               | 8 W    | 60°        | 2850 K             | 900 lm        | 24.00 V | 50 mm           |
| 12843004               | 8 W    | 60°        | 2000 K - 6500 K    | 640 lm        | 24.00 V | 50 mm           |
| 18438002               | 8 W    | 60°        | RGB+WW             | 400 lm        | 24.00 V | 50 mm           |