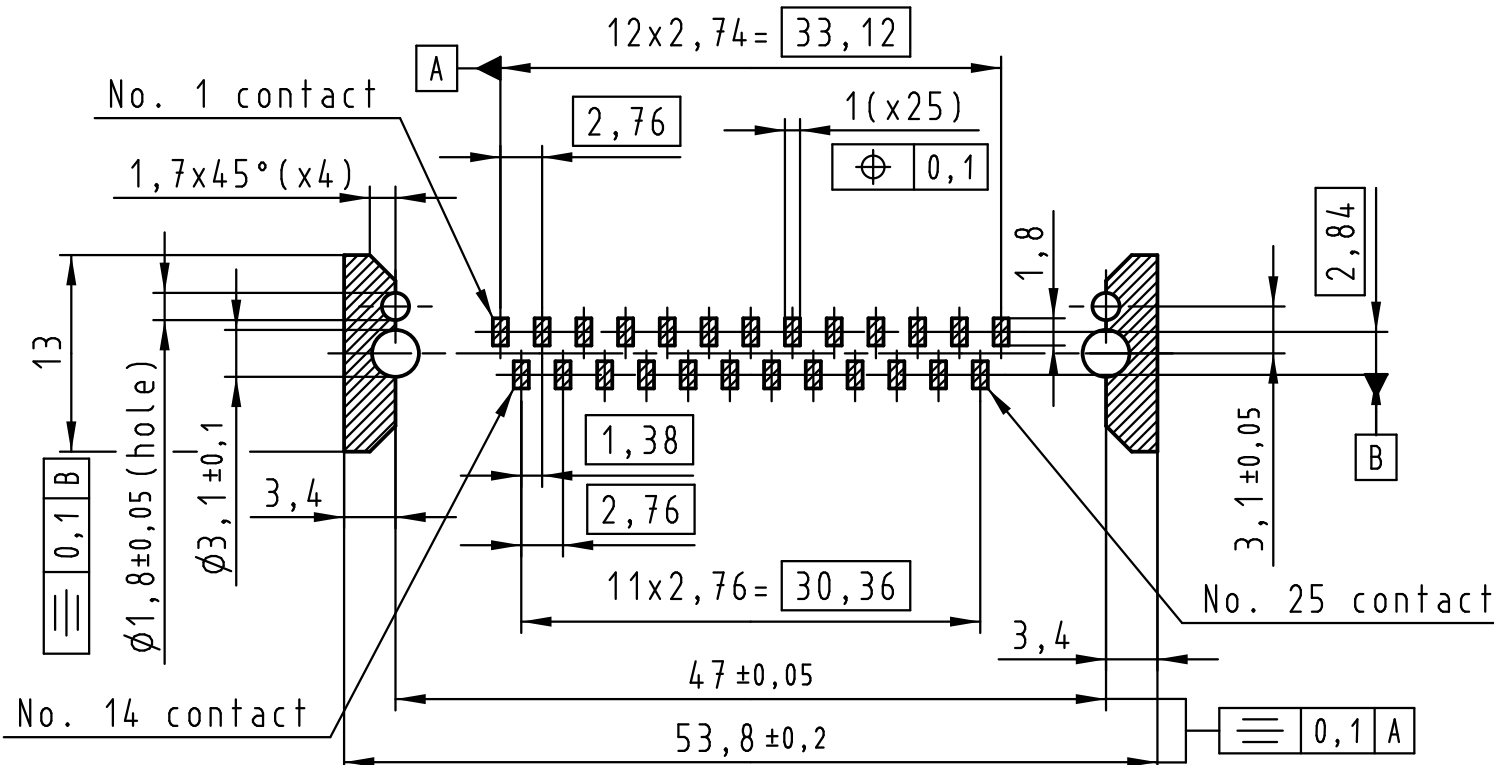
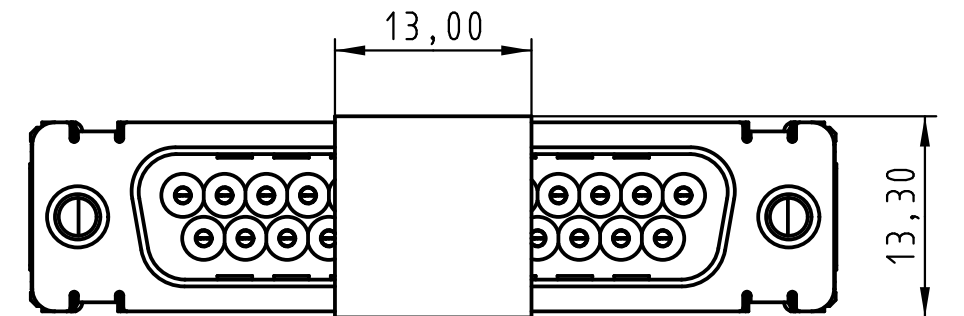
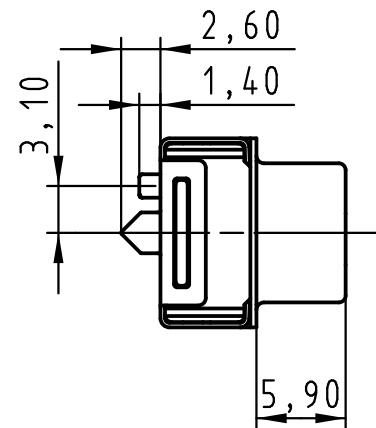
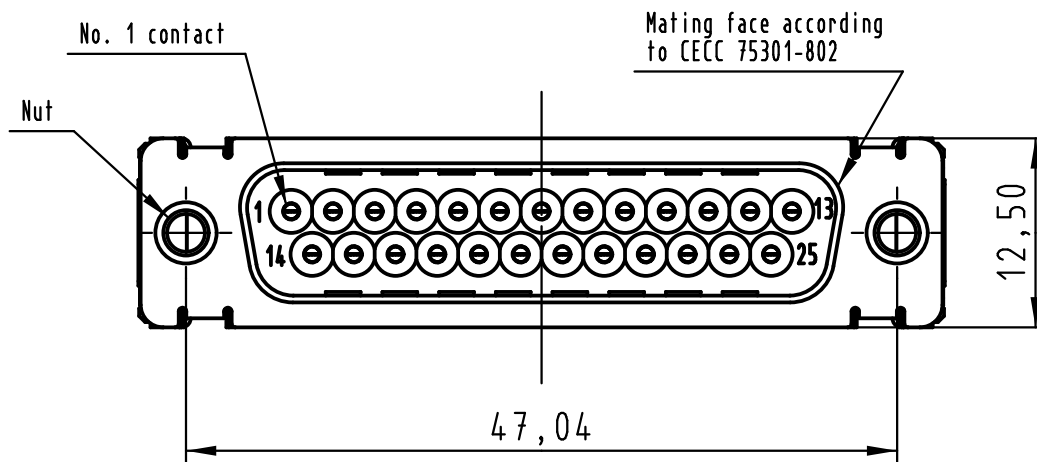
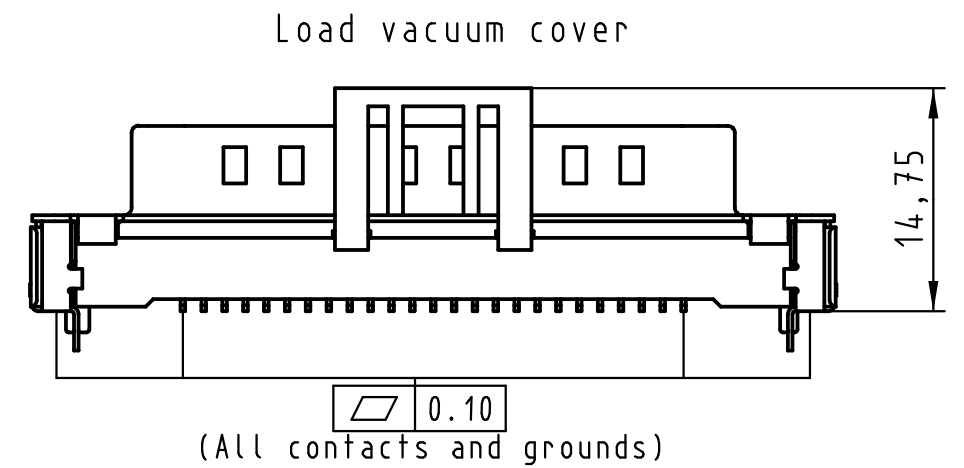
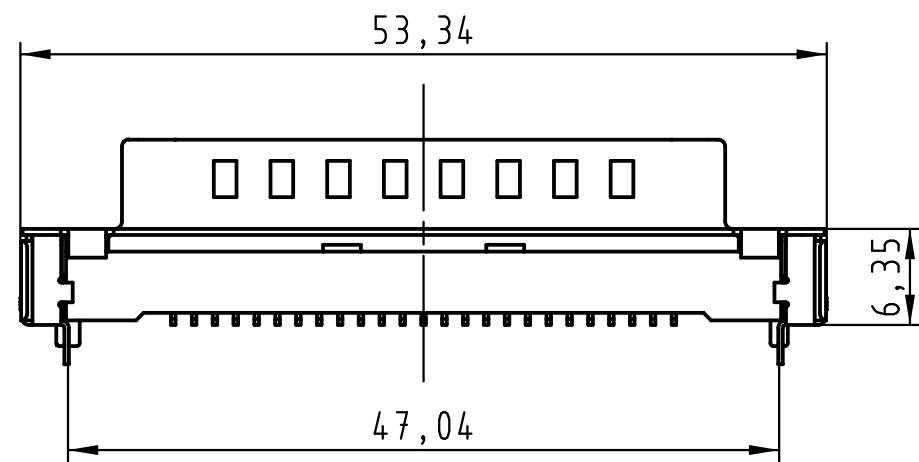


All rights reserved



Max. Temperature: 260° during 10 seconds.

| | | | | |
|-------------------|---|----------|-----------------|--|
| 0955 369 3811 741 | 1 | M3 | Black insulator | Reel Packaging: 140 connectors (See details on page 2/2) |
| 0955 369 3812 741 | 1 | 4-40 UNC | | |
| 0955 369 6811 741 | 2 | M3 | | |
| 0955 369 6812 741 | 2 | 4-40 UNC | | |
| 0955 369 7811 741 | 3 | M3 | | |
| 0955 369 7812 741 | 3 | 4-40 UNC | | |

| Part number | PL | Nut | Index designation | |
|---|-----------|-----------|------------------------|--|
| All Dimensions in mm Original Size DIN A 3 | | | Free size tolerances | |
| Techn. Character. | | Scale | | D-Sub SMT, 25 poles Male, Straight with nuts and ground pins |
| Detail. | Dat. | Name | 2:1 | |
| Insp. | 17-Nov-11 | Steven.W | | |
| Stand. | 17-Nov-11 | Steven.W | | |
| EC04070 | 17-Nov-11 | Johnson.S | Zhuhai HARTING Limited | |
| Mod. | Dat. | Name | TB 09 55 369 x81x | Page 1/2 |

PCB layout, component side

