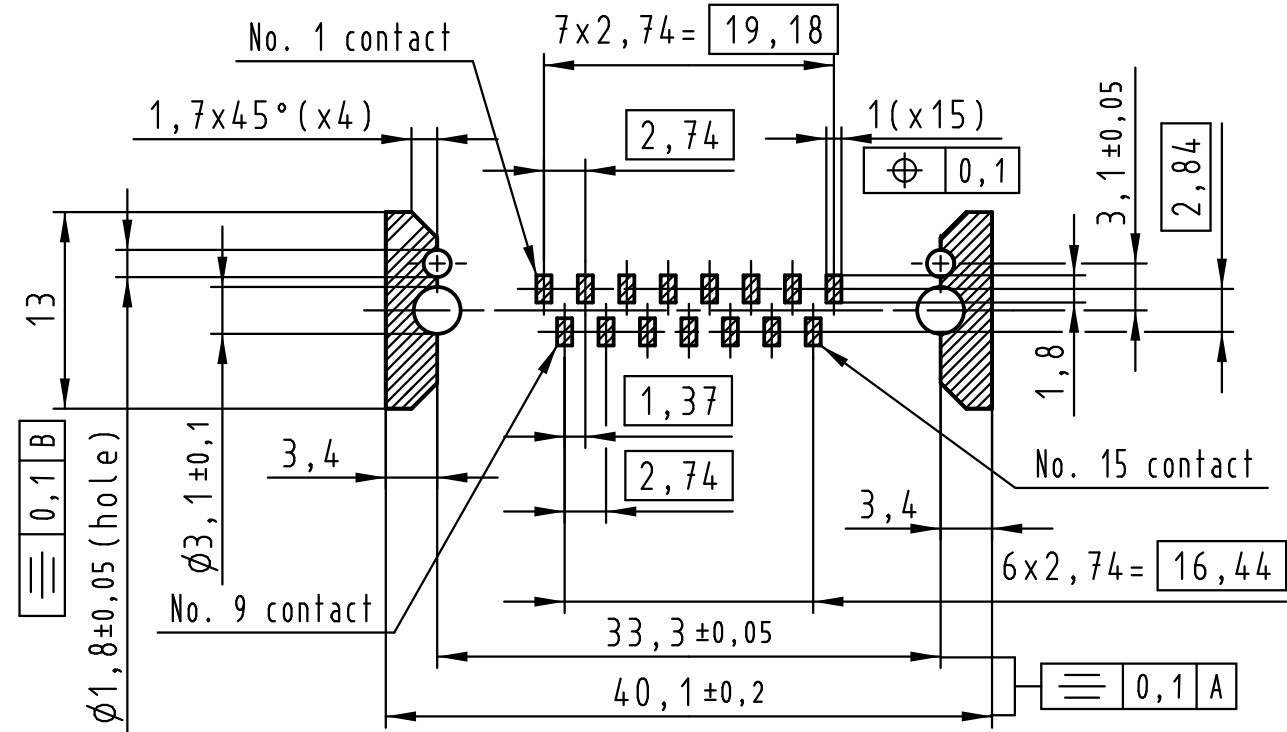
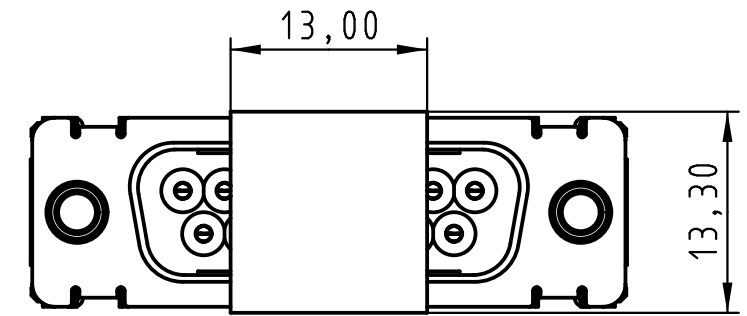
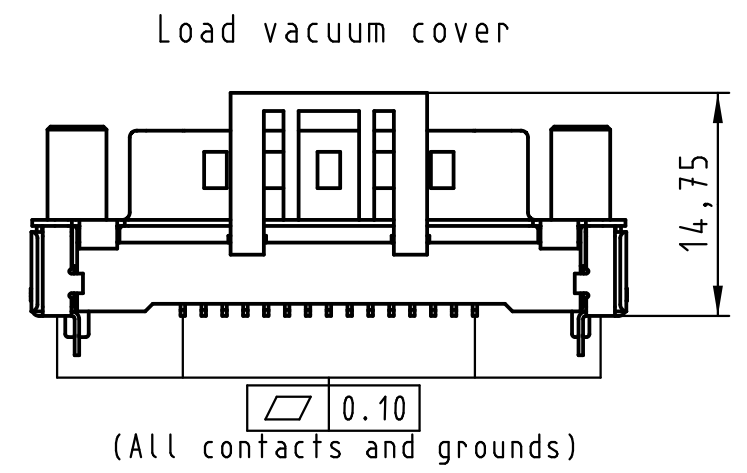
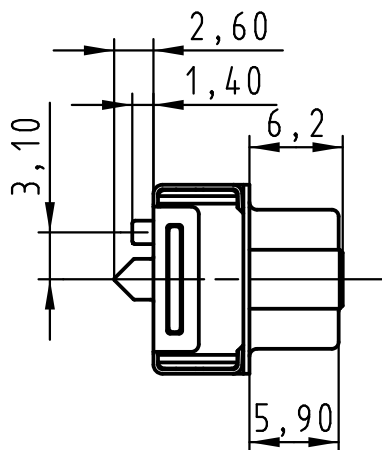
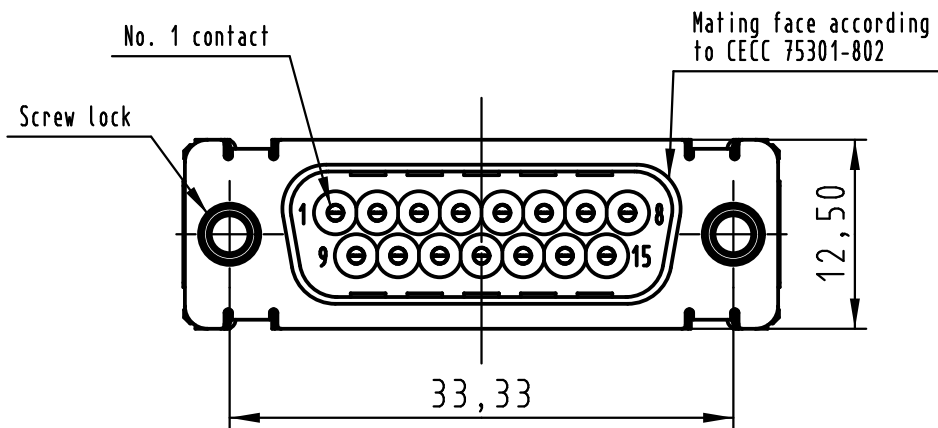
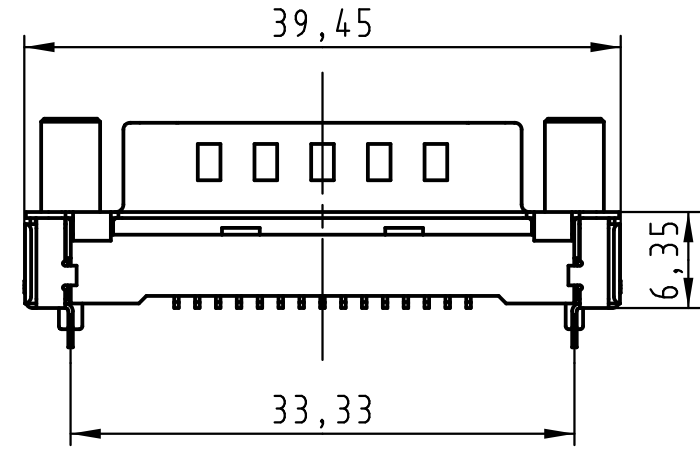


All rights reserved



PCB layout, component side

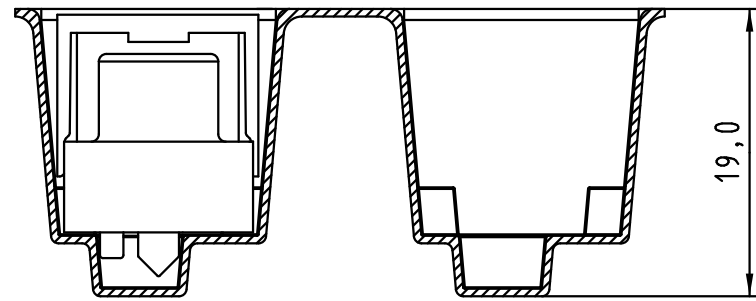
Max. Temperature: 260° during 10 seconds.

0955 269 3821 741	1	M3	Black insulator	Reel Packaging: 140 connectors (See details on page2/2)
0955 269 3822 741	1	4-40 UNC		
0955 269 6821 741	2	M3		
0955 269 6822 741	2	4-40 UNC		
0955 269 7821 741	3	M3		
0955 269 7822 741	3	4-40 UNC		

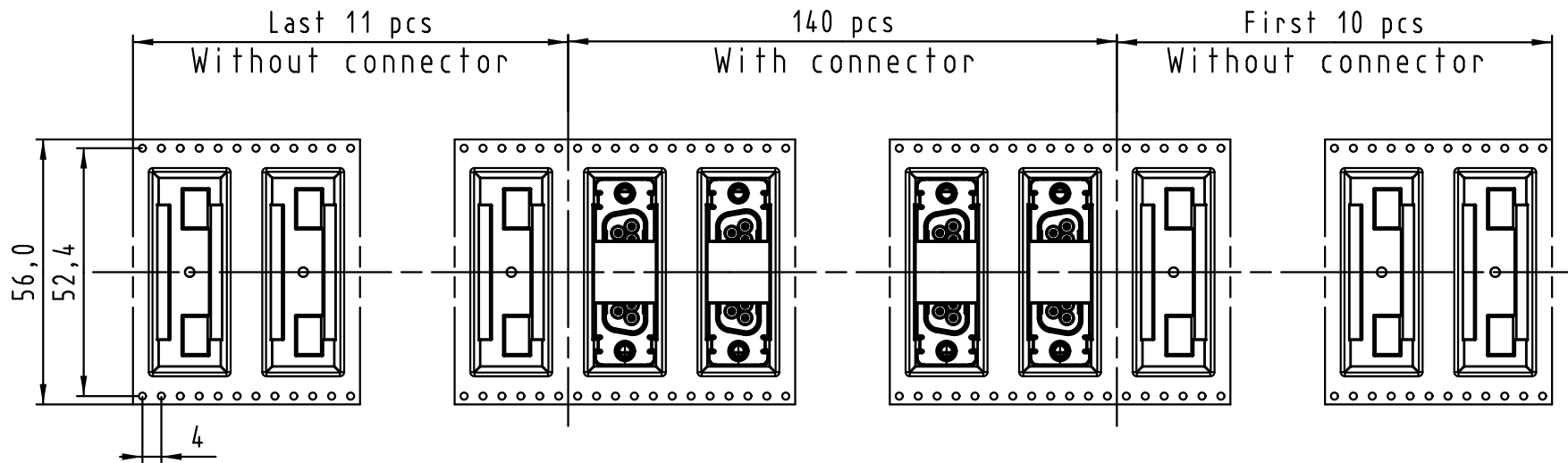
Part number		PL	Screw lock	Index designation	
All Dimensions in mm Original Size DIN A 3		Techn. Character.		Free size tolerances	
				D-Sub SMT, 15 poles Male, Straight with screw locks and ground pins	
				2:1	
EC04070	17-Nov-11	Johnson.S	Zhuhai HARTING Limited		TB 09 55 269 x82x
Mod.	Dat.	Name	Sub.		Page 1/2

1 2 3 4 5 6 7 8

A

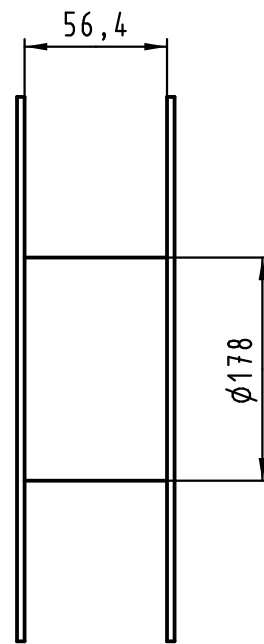
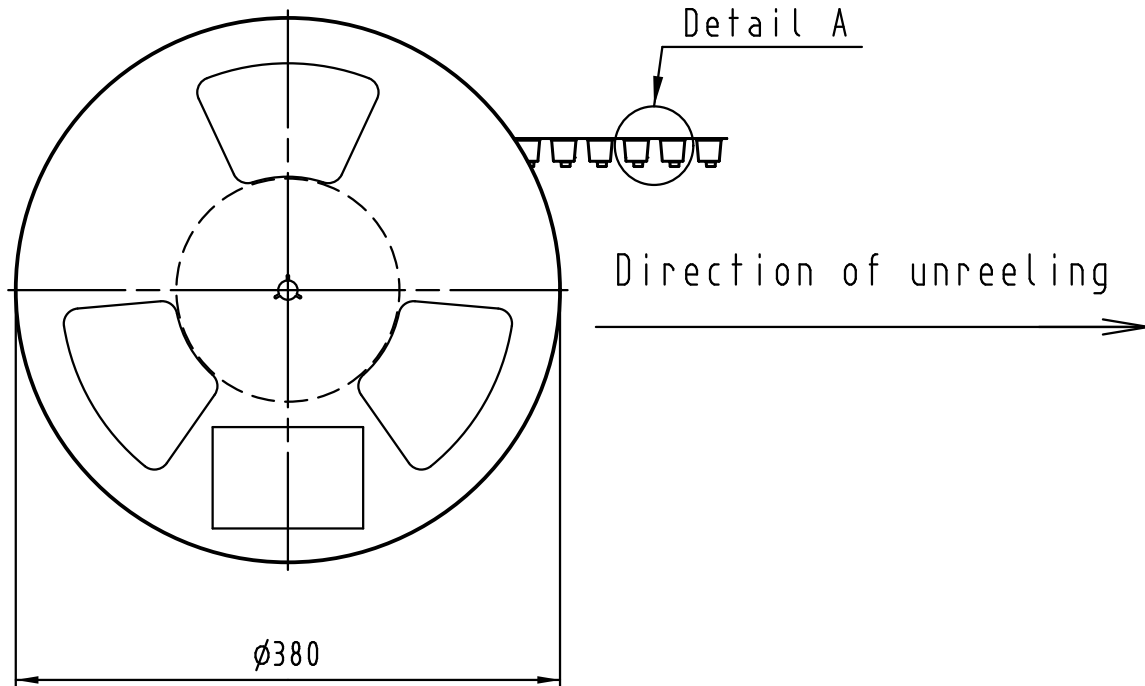


Detail A



B

C



See TB 09 55 269 x82x folio 1/2 for connector dimensions and PCB layout

Packaging in accordance with EIA 481-2.

All rights reserved

D

E

0955 269 3821 741	1	M3	Black insulator	Reel Packaging: 140 connectors
0955 269 3822 741	1	4-40 UNC		
0955 269 6821 741	2	M3		
0955 269 6822 741	2	4-40 UNC		
0955 269 7821 741	3	M3		
0955 269 7822 741	3	4-40 UNC		
Part number	PL	Screw lock	Index designation	

	All Dimensions in mm Original Size DIN A 3			Techn. Character.			Free size tolerances		
EC04070	17-Nov-11	Johnson.S	Zhuhai HARTING Limited						TB 09 55 269 x82x Sub.
Mod.	Dat.	Name							
									D-Sub SMT, 15 poles Male, Straight with screw locks and ground pins
									Page 2 / 2

1 2 3 4 5 6 7 8

F

F