

## Panel mounting socket outlet, angled - flange 114x114, fixing centers 90x90

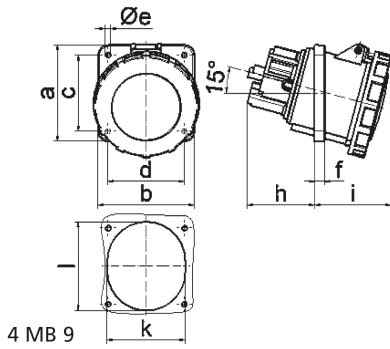


Product description	
BALS-Prd.-Nr	12065
EAN	4024941120654
Product category	TE panel mounting socket outlet, angled
Current	125A
Number of poles	5p
Poles	3p+N+PE
Position of earth contact	5 h
Voltage	347/600 up to 400/690V

Product description	
Frequency	50 and 60Hz
Protection degree	IP67
Colour code	black RAL 9005
Colour of appliance	Hinged lid black RAL 9005, Enclosure grey RAL 7035
Connection design	screw terminal as box terminal with Kontex-contact
Maximum conductor size	70.0 qmm
Cable entry	other
Height	135mm
Width	125mm
Depth	172mm
Flange size vertical	114mm
Flange size horizontal	114mm
Drill hole distance vertical	90mm
Drill hole distance horizontal	90mm
Material of enclosure	Polyamide
Contact	The contact carrier is made of high temperature resistant material, the contacts are brass nickel plated

Additional technical properties	
	The inclination is 15°

Logistics data	
Weight/pcs	0.98 kg / Piece
Packaging	Bag
Content amount	1 ST
EAN	4024941120654
Length	172 mm
Width	125 mm
Height	135 mm
Weight	0.981 kg
Volume	2,902.5 ccm
Packaging	Carton
Content amount	5 ST
EAN	4024941820356
Length	325 mm
Width	217 mm
Height	210 mm
Weight	5.106 kg
Volume	13,588.4 ccm



Ampere	125	125	125			
Polzahl	3	4	5			
a	114,0	114,0	114,0			
b	114,0	114,0	114,0			
c	90,0	90,0	90,0			
d	90,0	90,0	90,0			
e ø	6,5	6,5	6,5			
f	12,0	12,0	12,0			
h	82,0	82,0	82,0			
i	90,0	90,0	90,0			
k	92,0	92,0	92,0			
l	105,0	105,0	105,0			
Leiter mm <sup>2</sup> min	25	25	25			
Leiter mm <sup>2</sup> max	70	70	70			