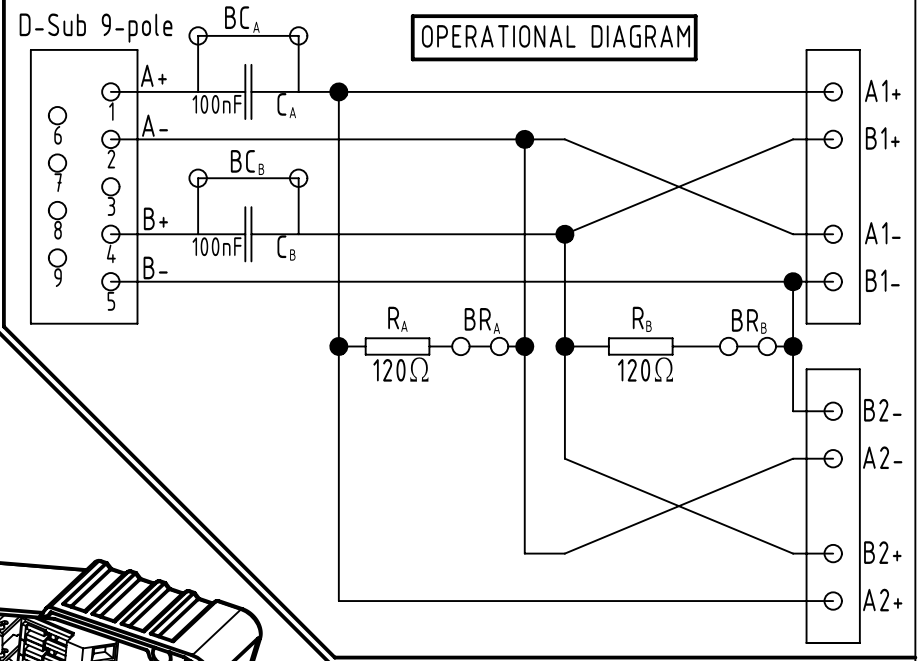
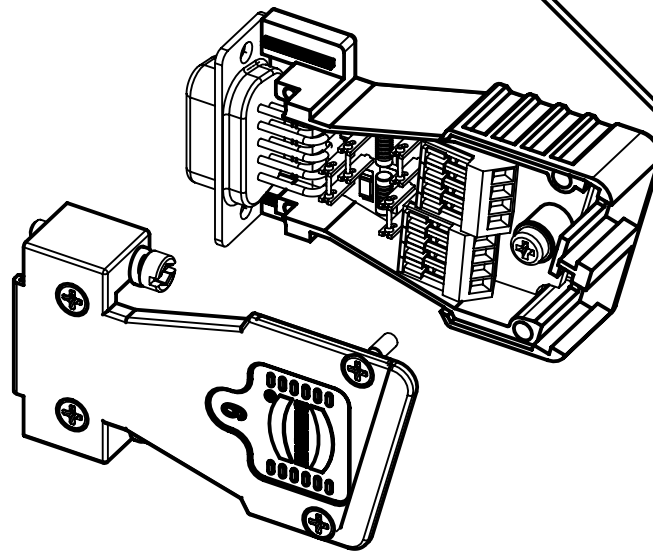
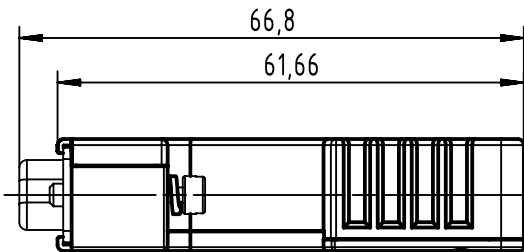
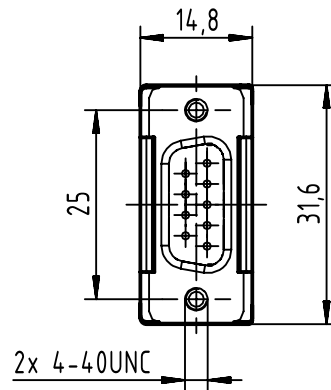
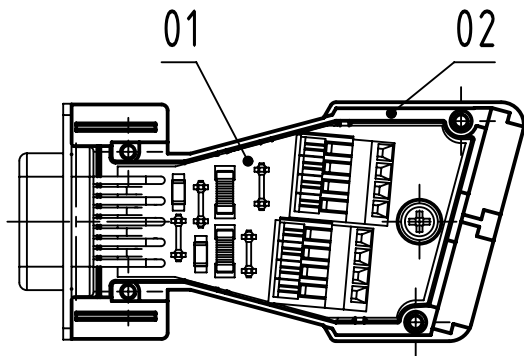


View without cover



in set inclusive

number	description
2	Crimp flange 6,5-7,5
2	Crimp ferrule 10,0-11,0
1	balcking piece 9-37
1	LABEL line A,B

	All Dimensions in mm Original Size DIN A4	Scale 1:1	Free size tol.		Ref.	
		All rights reserved Department EL PD	Created by ZHUANGJ	Inspected by LUOK	Standardisation ROEBEN	Ref. Sub.
		D-32339 Espelkamp	Title InduCom 9 male MVB/WTB 4-40UNC			Date 2021-08-04
	Type TB		Number 66630095014		Doc-Key / ECM-Nr. 100073192/UGD/043/B 500000200533	Rev. B

6663 009 5014 777	PL1	Small batch
6663 009 5014	PL1	Standard batch
Part number	Performance level	Remark