

## Panel mounting socket outlet, straight - flange 75x75, fixing centers 60x60

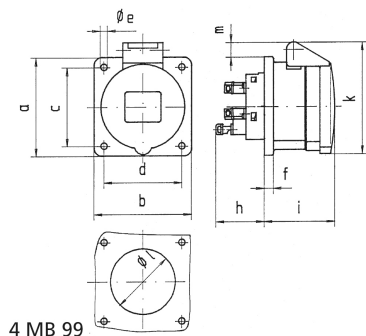


| Product description           |  |
|-------------------------------|--|
| BALS-Prd.-Nr                  | 13702  |
| EAN                           | 4024941137027  |
| product category (PG)         | Panel mounting socket outlet Quick-Connect, straight |
| current (A)                   | 32A  |
| number of poles (P99)         | 3p   |
| number of poles (P)           | 2P+PE  |
| position of earth contact (H) | 4 h  |
| voltage (V)                   | 100 up to 130V                                       |

| Product description            |  |
|--------------------------------|--|
| frequency (HZ)                 | 50 and 60Hz  |
| protection degree (SA)         | IP44   |
| colour code 1 (KF1)            | yellow RAL 1012  |
| Colour of appliance            | Hinged lid yellow RAL 1012, Enclosure grey RAL 7035              |
| connection design (AT)         | screwless spring terminals as cage clamp with Kontex-contact     |
| maximum conductor size (LQ)    | 10,0 qmm   |
| cable entry (KE)               | other  |
| Height                         | 90mm   |
| Width                          | 75mm   |
| Depth                          | 89mm   |
| Flange size vertical           | 75mm   |
| Flange size horizontal         | 75mm   |
| Drill hole distance vertical   | 60mm   |
| Drill hole distance horizontal | 60mm   |
| material of enclosure (GM)     | Polyamide  |
| contact                        | The contact carrier is made of polyamide, The contacts are brass |

| Logistics data |                  |
|----------------|------------------|
| Weight/pcs     | 0.165 kg / Piece |
| Packaging      | Bag              |

| Logistics data |               |
|----------------|---------------|
| Content amount | 1 ST          |
| EAN            | 4024941137027 |
| Length         | 89 mm         |
| Width          | 75 mm         |
| Height         | 90 mm         |
| Weight         | 0.166 kg      |
| Volume         | 600.75 ccm    |
| Packaging      | Carton        |
| Content amount | 10 ST         |
| EAN            | 4024941968508 |
| Length         | 128 mm        |
| Width          | 225 mm        |
| Height         | 399 mm        |
| Weight         | 1.909 kg      |
| Volume         | 11,491.2 ccm  |



| Ampere Polzahl             | 16<br>3 | 16<br>4 | 16<br>5 | 32<br>3 | 32<br>4 | 32<br>5 |
|----------------------------|---------|---------|---------|---------|---------|---------|
| a                          | 75,0    | 75,0    | 75,0    | 75,0    | 75,0    | 75,0    |
| b                          | 75,0    | 75,0    | 75,0    | 75,0    | 75,0    | 75,0    |
| c                          | 60,0    | 60,0    | 60,0    | 60,0    | 60,0    | 60,0    |
| d                          | 60,0    | 60,0    | 60,0    | 60,0    | 60,0    | 60,0    |
| e ø                        | 5,5     | 5,5     | 5,5     | 5,5     | 5,5     | 5,5     |
| f                          | 7,0     | 7,0     | 7,0     | 8,0     | 8,0     | 8,0     |
| h                          | 35,5    | 35,5    | 35,5    | 50,0    | 50,0    | 50,0    |
| i                          | 50,0    | 50,0    | 51,0    | 60,0    | 60,0    | 60,0    |
| k                          | 74,0    | 84,0    | 91,0    | 94,0    | 94,0    | 102,0   |
| l ø                        | 45,0    | 45,0    | 55,0    | 60,0    | 60,0    | 60,0    |
| m                          | 3,5     | 7,0     | 11,5    | 12,0    | 12,0    | 17,0    |
| Leiter mm <sup>2</sup> min | 1,5     | 1,5     | 1,5     | 2,5     | 2,5     | 2,5     |
| Leiter mm <sup>2</sup> max | 4       | 4       | 4       | 10      | 10      | 10      |