

Connector - with screwless terminals, for harsh applications



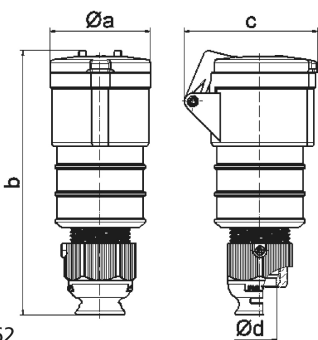
Product description	
BALS-Prd.-Nr	31670
EAN	4024941316705
Product category	Connector QUICK-CONNECT TE
Current	32A
Number of poles	4p
Poles	3P+PE
Position of earth contact	10 h
Voltage	> 50V

Product description	
Frequency	100 up to 300Hz
Protection degree	IP44
Colour code	green RAL 6002
Colour of appliance	Hinged lid green RAL 6002, Enclosure green RAL 6002, Cable gland grey RAL 7035
Connection design	screwless spring terminals as cage clamp with Kontex-contact
Maximum conductor size	6,0 qmm
Cable entry	Cable gland
Height	198mm
Width	66mm
Depth	91mm
Material of enclosure	Polyamide
Contact	The contact carrier is made of high temperature resistant material, the contacts are brass nickel plated

Additional technical properties	
	For cable diameter from 11 up to max. 23,5 mm, Multi-Grip cable gland with gasket, integrated cable clamp and additional water evacuation openings

Logistics data	
Weight/pcs	0.268 kg / Piece
Packaging	Bag
Content amount	1 ST

Logistics data	
EAN	4024941316705
Length	91 mm
Width	66 mm
Height	198 mm
Weight	0.269 kg
Volume	1,189.188 ccm
Packaging	Carton
Content amount	10 ST
EAN	4024941970464
Length	325 mm
Width	217 mm
Height	210 mm
Weight	2.886 kg
Volume	13,588.4 ccm



Ampere	16	16	16	32	32	32
Polzahl	3	4	5	3	4	5
a ø	51,0	58,0	65,0	66,5	66,5	72,0
b	156,0	162,0	168,0	195,0	195,0	198,0
c	72,0	78,0	86,0	89,0	89,0	99,0
d ø	18,0	18,0	21,0	23,0	23,0	27,0
Leiter mm ² min	1	1	1	2,5	2,5	2,5
Leiter mm ² max	2,5	2,5	2,5	6	6	6

3 MB 62