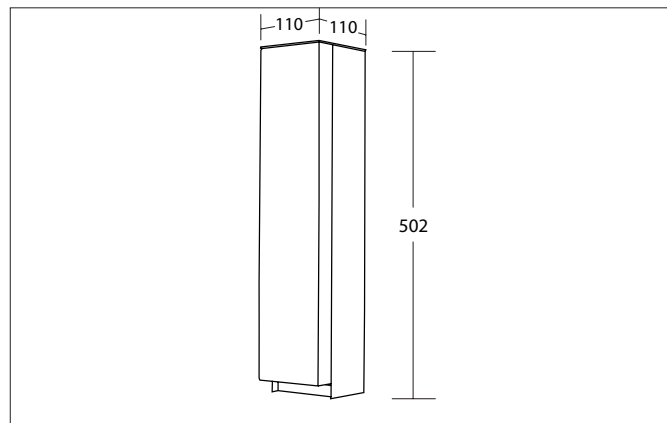


MANSEL POWER Connection pillar, IP44, height 502 mm

Article no. 6544 1220

Light.
For Generations.**Tender**

Connection pillar, IP44, height 502 mm, stainless steel, Other.Surface mounting, Floor-mounted Mounting method: Surface mounting, Place of installation: Floor-mounted, Material: Stainless steel V4A, Degree of protection: according to DIN EN 60529 IP44, Protection class: (EN 61140) I, Voltage: 230V AC 50Hz, With control gear: Yes, .

Article data

Article no.	6544 1220
GTIN	4255752507734
Series name	MANSEL POWER
Short description	Connection pillar, IP44, height 502 mm
Material	Stainless steel V4A
Colour	Stainless steel
Type of surface	Structure
Shape	Other
Weight	2.670 kg

Operating technology of the luminaire

Voltage type	AC
AC nominal voltage max	230 V
Protection class	I
Degree of protection	IP44

MANSEL POWER Connection pillar, IP44, height 502 mm

Article no. 6544 1220

Light.
For Generations.

Mounting technology	
Mounting method	Surface mounting
Place of installation	Floor-mounted
stamp	UKCA
Further references	Outdoor

Packing data	
Gross weight	2.9 kg
Length of packaging	160 mm
Packaging width	160 mm
Packaging height	540 mm
Disposal at end of life	<p>This product must not be disposed of with household waste. You are obliged, to dispose of such electrical waste separately.</p> <p>By disposing of electrical waste and other old or defective electronics separately, you support recycling or other forms of re-use. In that way you help to take care and to avoid that harmful substances get into the environment.</p>