

## Wall mounting appliance inlet - housing dimensions 80x70



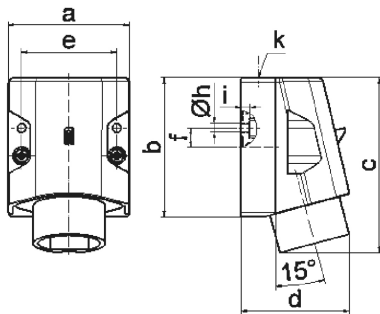
Product description	
BALS-Prd.-Nr	466
EAN	4024941004664
Product category	Wall mounting appliance inlet, extra-low voltage
Current	16A
Number of poles	3p
Poles	3P
Position of earth contact	no minor keyway
Voltage	20 up to 25v

Product description	
Frequency	50 and 60Hz
Protection degree	IP44
Colour code	violet RAL 4005
Colour of appliance	Collar violet RAL 4005, Housing bottom grey RAL 7035, Housing top grey RAL 7035
Connection design	with screw terminal
Maximum conductor size	10,0 qmm
Cable entry	top entry M25
Height	102mm
Width	70mm
Depth	63mm
Dimension of enclosure	80x70 mm (HxW)
Material of enclosure	Polyamide
Contact	The contact carrier is made of polyamide, The contacts are brass

Additional technical properties	
	The cable entry is one at top open

Logistics data	
Weight/pcs	0.149 kg / Piece
Packaging	Carton
Content amount	10 ST

Logistics data	
EAN	4024941837231
Length	245 mm
Width	177 mm
Height	185 mm
Weight	1.623 kg
Volume	7,140 ccm



16 MB 15

Ampere	16	16	32	32		
Polzahl	2	3	2	3		
a	70,0	70,0	70,0	70,0		
b	80,0	80,0	80,0	80,0		
c	100,0	100,0	100,0	100,0		
d	82,0	82,0	82,0	82,0		
e	55,0	55,0	55,0	55,0		
f	11,0	11,0	11,0	11,0		
h ø	5,2	5,2	5,2	5,2		
i	5,0	5,0	5,0	5,0		
k	M25	M25	M25	M25		
Leiter mm <sup>2</sup> min	4	4	4	4		
Leiter mm <sup>2</sup> max	10	10	10	10		