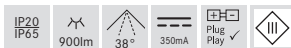
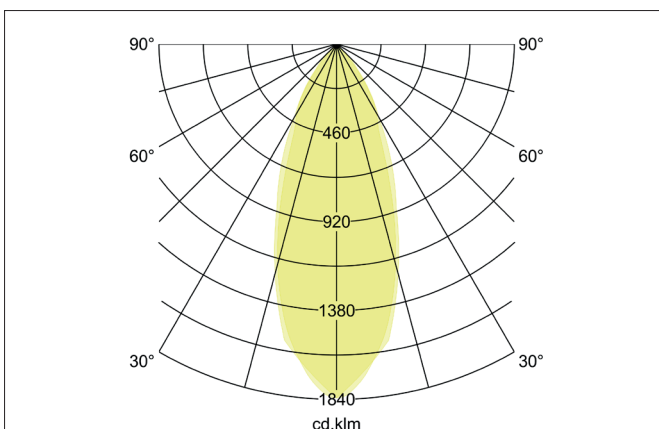
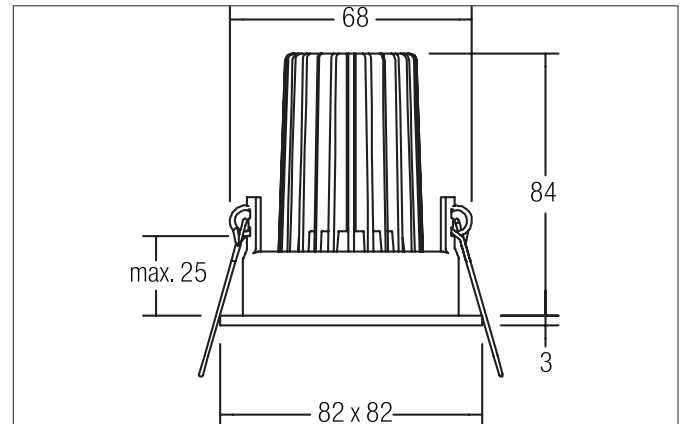


MARICE-S LED recessed spot, IP65, dim2warm
Article no. 12446073

Light.
For Generations.



Tender

LED recessed spot, IP65, dim2warm, Square. Toolless ceiling installation by installation springs. Ceiling cut-out Ø 68 mm, Installation depth 84 mm, Length 82 mm, Width 82 mm, Weight 0,240 kg, Reflector silver with rotationssymmetrical, deep, wide distributed light intensity. optimal light distribution due to a plastic, transparent cover. Luminous flux 900 lm, Power 1 x 12 W, System Efficiency 75 lm/W, Light colour warm white to warm white, Correlated color temprature (CCT) 3.000 K - 1.800 K, Colour rendering index CRI > 90, Housing material: Aluminium / Steel / Silicone rubber / Plastic, Colour: White, Permissible ambient temperature (ta): -20 °C - +25 °C, Protection class (EN 61140): III, Degree of protection (DIN EN 60529): IP65 when installing in closed ceilings. For connection to an external driver, which is not included in the scope of delivery of the luminaire. Depending on driver dimmable.

| Article data | |
|--------------------|---|
| Article no. | 12446073 |
| GTIN | 4251433914297 |
| Series name | MARICE-S |
| Short description | LED recessed spot, IP65, dim2warm |
| Material | Aluminium / Steel / Silicone rubber / Plastic |
| Colour | White |
| Type of surface | Matt |
| Shape | Square |
| Built-in diameter | 68 mm |
| Installation depth | 84 mm |
| Length | 82 mm |
| Width | 82 mm |
| Hight | 3 mm |
| Weight | 0.240 kg |

MARICE-S LED recessed spot, IP65, dim2warm

Article no. 12446073

Light.
For Generations.

| Lighting technology | |
|---------------------|-------------------|
| Colour temperature | 3.000 K - 1.800 K |
| Light output | Direct |
| Luminous flux | 900 lm |
| System efficiency | 75 lm/W |
| Colour rendering | CRI > 90 |
| Reflector | High-gloss |
| Reflektorfarbe | silver |
| Beam angle | 38° |
| Light sharing | Symmetric |

| Operating technology of the luminaire | |
|---------------------------------------|--|
| System output | 12 W |
| Voltage type | DC |
| Current | 350 mA |
| Lamp | LED |
| Lamp holder | Plug&Play |
| Protection class | III |
| Degree of protection | IP65 |
| Schutzart deckenseitig | IP20 |
| Dimmable | Depending on type of control gear |
| Control | Depending on driver |
| Bulb change possible | The light source of this luminaire may only be replaced by the manufacturer or a service technician commissioned by him or a similarly qualified person. |

| Mounting technology | |
|------------------------|---|
| Mounting method | Recessed mounting |
| Place of installation | Ceiling-mounted |
| Adjustability | Pivoted |
| Swivel angle | 30° |
| Max. ceiling thickness | 25 mm |
| Further references | No cover with thermal insulation material |
| Material cover | Plastic, transparent |

| Packing data | |
|-------------------------|---|
| Gross weight | 0.281 kg |
| Length of packaging | 95 mm |
| Packaging width | 95 mm |
| Packaging height | 95 mm |
| Disposal at end of life | This product must not be disposed of with household waste. You are obliged, to dispose of such electrical waste separately. By disposing of electrical waste and other old or defective electronics separately, you support recycling or other forms of re-use. In that way you help to take care and to avoid that harmful substances get into the environment. |

MARICE-S LED recessed spot, IP65, dim2warm

Article no. 12446073

Light.
For Generations.

| Accessories | |
|---|---|
|  | Article no.: 17664000 LED converter 350 mA, trailing-edge phase dimmable Power: 10,2 - 14 W Dimensions: 125 mm x 51 mm x 20 mm |
|  | Article no.: 17664010 LED converter 350 mA, trailing-edge phase dimmable Power: 10,2 - 14 W Dimensions: 125 mm x 51 mm x 20 mm |
|  | Article no.: 17664020 LED converter 350 mA, trailing-edge phase dimmable Power: 10,2 - 14 W Dimensions: 125 mm x 51 mm x 20 mm |
|  | Article no.: 17643000 LED converter 350 mA, trailing-edge phase dimmable Power: 8,8 - 18 W Dimensions: 110 mm x 52 mm x 22 mm |
|  | Article no.: 17643010 LED converter 350 mA, trailing-edge phase dimmable Power: 8,8 - 18 W Dimensions: 110 mm x 52 mm x 22 mm |
|  | Article no.: 17643020 LED converter 350 mA, trailing-edge phase dimmable Power: 8,8 - 18 W Dimensions: 110 mm x 52 mm x 22 mm |
|  | Article no.: 17657000 LED converter 350 mA, 1-10 V dimmable (analog) Power: 5,2 - 18 W Dimensions: 110 mm x 52 mm x 22 mm |
|  | Article no.: 17657010 LED converter 350 mA, 1-10 V dimmable (analog) Power: 5,2 - 18 W Dimensions: 110 mm x 52 mm x 22 mm |
|  | Article no.: 17683000 LED converter 350 mA, DALI dimmable (digital) Power: 3,5 - 17 W Dimensions: 110 mm x 52 mm x 22 mm |
|  | Article no.: 17683010 LED converter 350 mA, DALI dimmable (digital) Power: 3,5 - 17 W Dimensions: 110 mm x 52 mm x 22 mm |

MARICE-S LED recessed spot, IP65, dim2warm
Article no. 12446073

Light.
For Generations.

| Accessories | |
|--|---|
| A small white rectangular LED converter with two red wires and two black wires, and a black rectangular component connected to it. | <p>Article no.: 17683020 LED converter 350 mA, DALI dimmable (digital) Power: 3,5 - 17 W Dimensions: 110 mm x 52 mm x 22 mm</p> |
| A white rectangular LED converter with two red wires and two black wires. | <p>Article no.: 17671000 LED converter 350mA, ZigBee dimmable Power: 3,5 - 18,5 W Dimensions: 146 mm x 44 mm x 30 mm</p> |
| A white rectangular LED converter with two red wires and two black wires. | <p>Article no.: 17671010 LED converter 350mA, ZigBee dimmable Power: 3,5 - 18,5 W Dimensions: 146 mm x 44 mm x 30 mm</p> |
| A white rectangular LED converter with two red wires and two black wires, and a black plastic cover attached to one side. | <p>Article no.: 17671020 LED converter 350mA, ZigBee dimmable Power: 3,5 - 18,5 W Dimensions: 146 mm x 44 mm x 30 mm</p> |
| A white rectangular LED converter with two red wires and two black wires. | <p>Article no.: 17672000 LED converter 350mA, Casambi dimmable Power: 3,5 - 18 W Dimensions: 146 mm x 44 mm x 30 mm</p> |
| A white rectangular LED converter with two red wires and two black wires. | <p>Article no.: 17672010 LED converter 350mA, Casambi dimmable Power: 3,5 - 18 W Dimensions: 146 mm x 44 mm x 30 mm</p> |
| A white rectangular LED converter with two red wires and two black wires, and a black plastic cover attached to one side. | <p>Article no.: 17672020 LED converter 350mA, Casambi dimmable Power: 3,5 - 18 W Dimensions: 146 mm x 44 mm x 30 mm</p> |
| A black cable with a connector on one end and a plug on the other, with a length of 500 mm. | <p>Article no.: 3835 Plug & Play extension lead 350 mA Dimensions: 500 mm</p> |
| A black cable with a connector on one end and a plug on the other, with a length of 1,000 mm. | <p>Article no.: 3836 Plug & Play extension lead 350 mA Dimensions: 1,000 mm</p> |
| A black cable with a connector on one end and a plug on the other, with a length of 2,000 mm. | <p>Article no.: 3837 Plug & Play extension lead 350 mA Dimensions: 2,000 mm</p> |