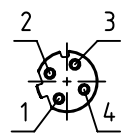
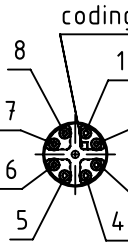
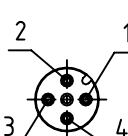
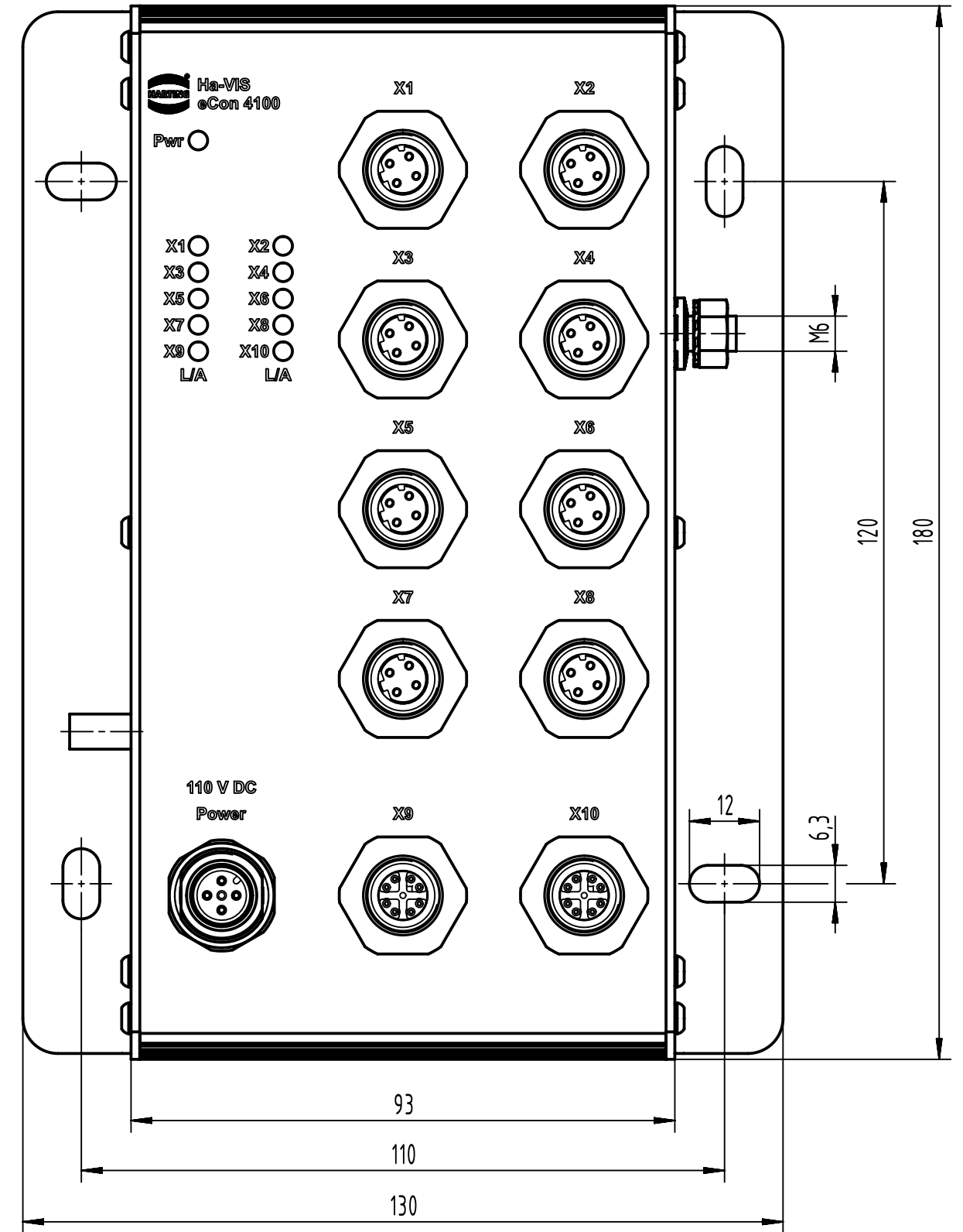
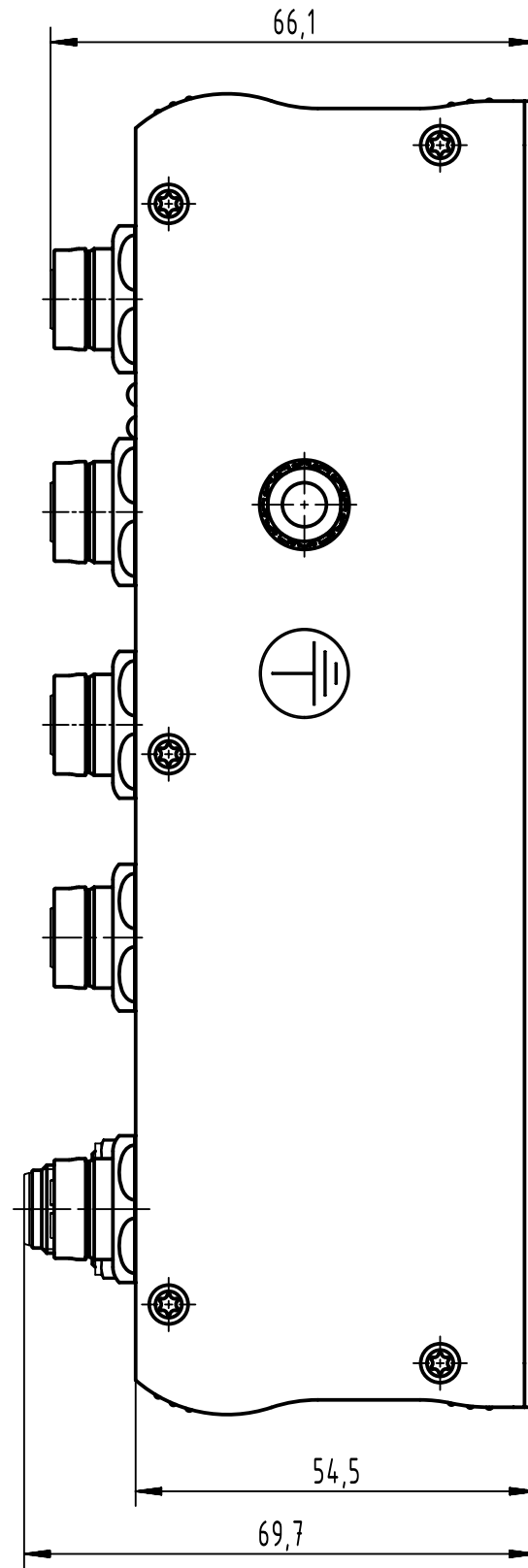
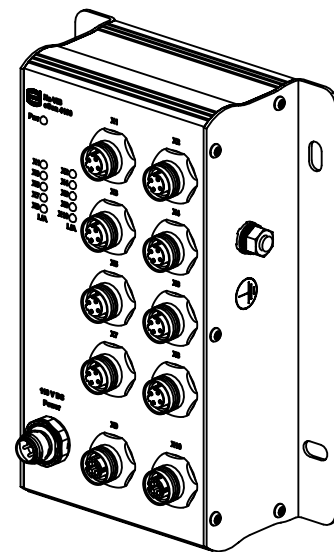



terminal pin assigment	
X1-X8	
	1 TX+
	2 RX+
	3 TX-
	4 RX-
X9-X10	
	1 MD1+
	2 MD1-
	3 MD2+
	4 MD2-
	5 MD4+
	6 MD4-
	7 MD3-
	8 MD3+
Power	
	1 VIN1+
	2 VIN-
	3 VIN-
	4 VIN2+



	All rights reserved	Created by HOLLERT	Inspected by KLEINEM	Standardisation SAP_WFRT	Date 2022-03-01	State Final Release	
	Department EL PD	Title Ha-VIS eCon 4100-BB-H				Doc-Key / ECM-Nr. 100656109/UGD/001/B 500000211658	
HARTING D-32339 Espelkamp		Type TB	Number 20 77 210 3010			Rev. B	Page 1/1