

4x distance peg

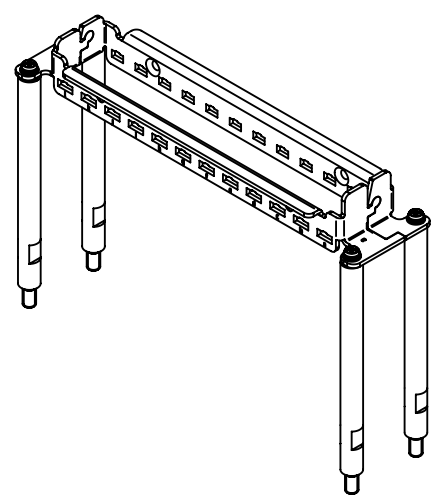


4x M4 screw



4x M4 washer

enclosed separately



	All rights reserved Department EL PD - DE	All Dimensions in mm Original Size DIN A4		Scale 1:2	Free size tol.	Ref.	
		Created by GRUBES	Inspected by SCHLEGEL	Standardisation SCHMIDTM	Date 2016-06-24	State Final Release	
HARTING Electric GmbH & Co. KG D-32339 Espelkamp		Title Hinged frame 12xMod a-l Han34HPR EasyCon				Doc-Key / ECM-Nr. 100657936/UGD/001/B 500000105706	
		Type TB	Number 09 40 034 9931			Rev. B	Page 1/1