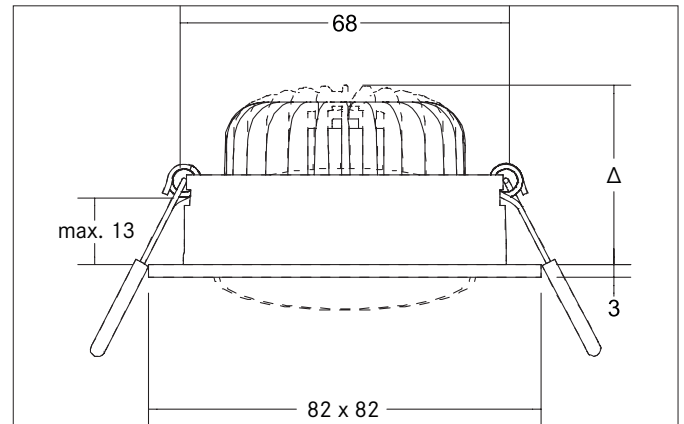


LOOP-S Recessed spotlight housing, without LED module

Article no. 27065170

Light.
For Generations.**Tender**

Recessed spotlight housing, without LED module, white structure, Square. In a compact design, for installation in tool-less rapid assembly systems. Alle Brumberg MR16-LED-Module sind für die Einbaueinheit LOOP verwendbar. Die Einbautiefe der Leuchte richtet sich nach dem jeweils verwendeten LED-Modul (hier: 5 mm, zzgl. Höhe des LED-Moduls). Das LED-Modul ist im Lieferumfang der Einbaueinheit nicht enthalten. Lamp holder: Without fitting, Mounting method: Recessed mounting, Place of installation: Ceiling-mounted, Material: Nylon / Magnesium Hydroxide / Fiberglass, Degree of protection: according to DIN EN 60529 IP20, Protection class: (EN 61140) III, Power: 14 W, Amount of light sources / fittings: 1 Qty, Adjustability: Pivoted, without control gear, Dimmable: Depending on type of control gear, Control: Depending on driver.

Product Benefits

LOOP®- Light Of Ocean Plastic.

The first certified LED recessed luminaire housing made of 100% recycled Ocean Plastic.

Plastic waste in the ocean is a global catastrophe, so we must do something about it. We are making an important contribution with the first luminaire whose plastic content is made from 100 percent recycled ocean plastic. With LOOP®, we are setting new standards for sustainable lighting solutions on the global market, which reflect high quality, functionality and aesthetics. Even the converter housing (L 72 x W 45 x H 23 mm) is also made of recycled ocean plastic.

LOOP-S Recessed spotlight housing, without LED module

Article no. 27065170

Light.
For Generations.

| Article data | |
|-------------------|--|
| Article no. | 27065170 |
| GTIN | 4251433981954 |
| Series name | LOOP-S |
| Short description | Recessed spotlight housing, without LED module |
| Material | Nylon / Magnesium Hydroxide / Fiberglass |
| Colour | White |
| Type of surface | Structure |
| Shape | Square |
| Built-in diameter | 68 mm |
| Length | 82 mm |
| Width | 82 mm |
| Hight | 3 mm |
| Weight | 0.034 kg |

| Operating technology of the luminaire | |
|---------------------------------------|-----------------------------------|
| System output | 14 W |
| Voltage type | DC |
| Lamp | For LED |
| Lamp holder | Without fitting |
| Protection class | III |
| Degree of protection | IP20 |
| Dimmable | Depending on type of control gear |
| Control | Depending on driver |
| Bulb change possible | Yes |

| Mounting technology | |
|------------------------|---|
| Mounting method | Recessed mounting |
| Place of installation | Ceiling-mounted |
| Adjustability | Pivoted |
| Swivel angle | 20° |
| Max. ceiling thickness | 13 mm |
| Further references | No cover with thermal insulation material |
| Material cover | Without cover |
| Circlip | Without circlip |

| Packing data | |
|-------------------------|---|
| Gross weight | 0.064 kg |
| Length of packaging | 110 mm |
| Packaging width | 105 mm |
| Packaging hight | 50 mm |
| Disposal at end of life | This product must not be disposed of with household waste. You are obliged, to dispose of such electrical waste separately. By disposing of electrical waste and other old or defective electronics separately, you support recycling or other forms of re-use. In that way you help to take care and to avoid that harmful substances get into the environment. |

LOOP-S Recessed spotlight housing, without LED module

Article no. 27065170

Light.
For Generations.

| Compatible LED-modules | | | | | | |
|------------------------|-------|------------|--------------------|---------------|--------|-----------------|
| Article no. | Power | Beam angle | Colour temperature | Luminous flux | Input | Hight LED-Modul |
| 12925003 | 3 W | 38° | 2700 K | 290 lm | 350 mA | 40 mm |
| 12926003 | 3 W | 38° | 3000 K | 310 lm | 350 mA | 40 mm |
| 12925004 | 3 W | 38° | 4000 K | 340 lm | 350 mA | 40 mm |
| 12923383 | 6 W | 38° | 2700 K | 600 lm | 350 mA | 32 mm |
| 12923603 | 6 W | 60° | 2700 K | 570 lm | 350 mA | 32 mm |
| 12924383 | 6 W | 38° | 3000 K | 680 lm | 350 mA | 32 mm |
| 12924603 | 6 W | 60° | 3000 K | 660 lm | 350 mA | 32 mm |
| 12924384 | 6 W | 38° | 3500 K | 680 lm | 350 mA | 32 mm |
| 12924604 | 6 W | 60° | 3500 K | 660 lm | 350 mA | 32 mm |
| 12923384 | 6 W | 38° | 4000 K | 720 lm | 350 mA | 32 mm |
| 12923604 | 6 W | 60° | 4000 K | 700 lm | 350 mA | 32 mm |
| 12920183 | 6 W | 18° | 3000 K | 640 lm | 350 mA | 31 mm |
| 12920243 | 6 W | 24° | 3000 K | 690 lm | 350 mA | 31 mm |
| 12920003 | 6 W | 38° | 3000 K | 670 lm | 350 mA | 31 mm |
| 12920603 | 6 W | 60° | 3000 K | 620 lm | 350 mA | 31 mm |
| 12920184 | 6 W | 18° | 4000 K | 685 lm | 350 mA | 31 mm |
| 12920244 | 6 W | 24° | 4000 K | 740 lm | 350 mA | 31 mm |
| 12920004 | 6 W | 38° | 4000 K | 720 lm | 350 mA | 31 mm |
| 12920604 | 6 W | 60° | 4000 K | 660 lm | 350 mA | 31 mm |
| 12963383 | 6 W | 38° | 3000 K - 1800 K | 460 lm | 350 mA | 32 mm |
| 12963603 | 6 W | 60° | 3000 K - 1800 K | 430 lm | 350 mA | 32 mm |