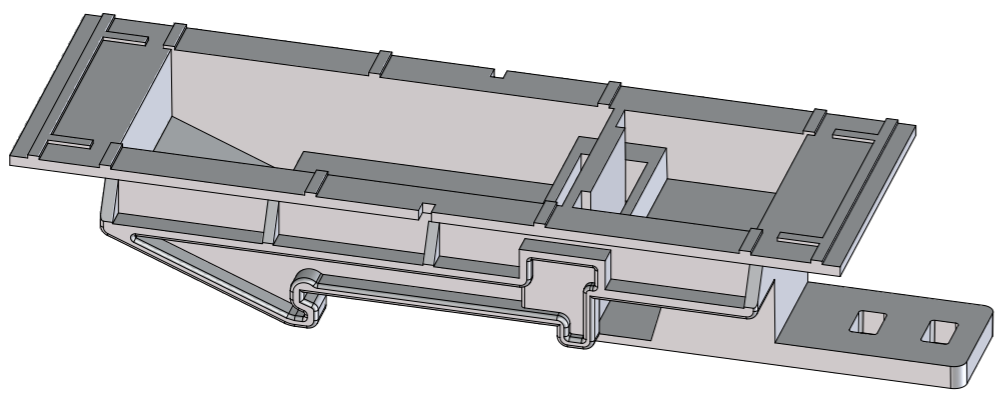
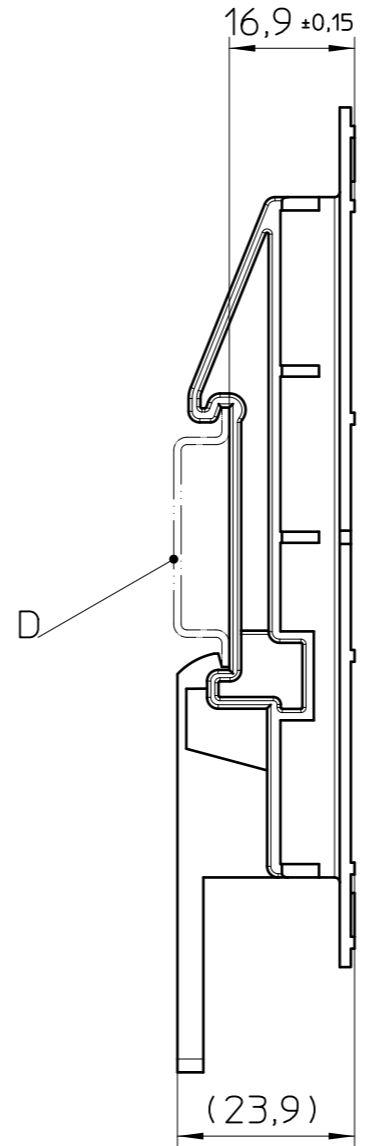
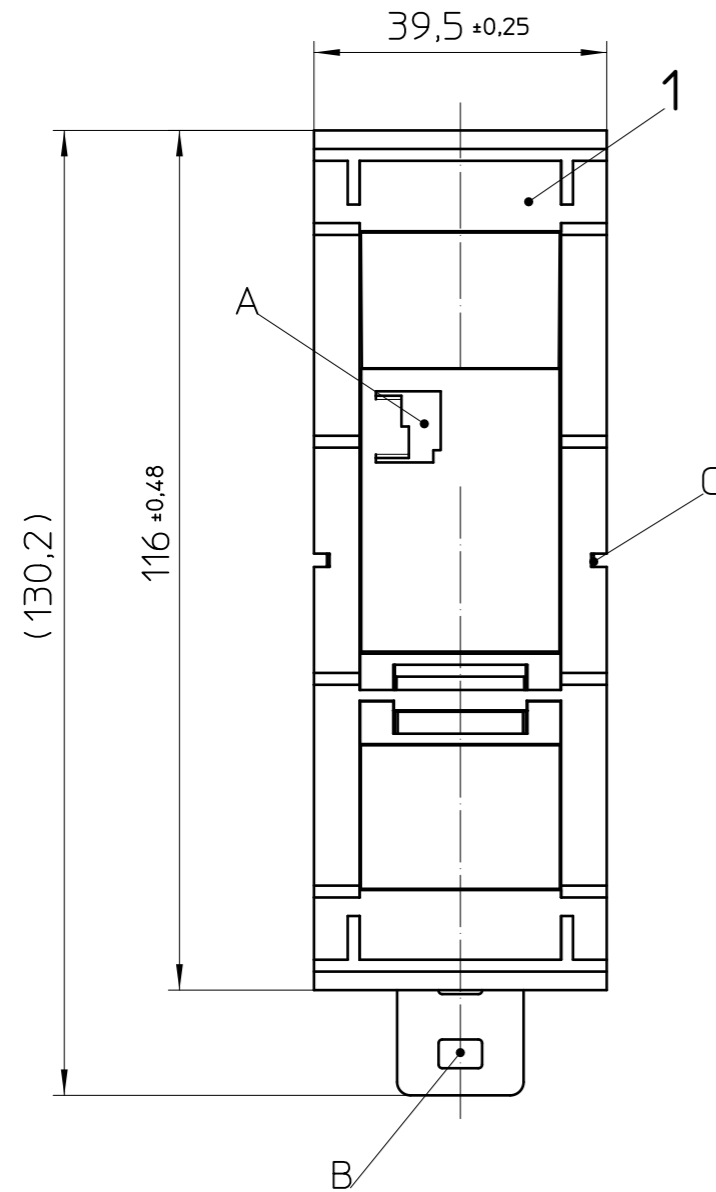


Transfer or duplication of this document as well as the utilisation or communication of its content are not permitted unless express consent is granted. Violations give rise to claims for damages. All rights reserved in case of patent, utility model or design patent registrations. Tolerance specifications do not include clearances inherent in the design.

Weitergabe sowie Vervielfältigung dieses Dokuments, Verwertung und Mitteilung seines Inhalts sind verboten, soweit nicht ausdrücklich gestattet. Zuwiderhandlungen verpflichten zu Schadenersatz. Alle Rechte für den Fall der Patent-, Gebrauchsmuster- oder Designeintragung vorbehalten. Bauartbedingtes Spiel ist in den Toleranzangaben nicht berücksichtigt.



General Information:

- Simplified representation, exemplary shown in gray
- Tolerances apply in a normal climate according to DIN EN ISO 291-23/50-2.
- Web: www.phoenixcontact.com webcode: #0853

Additional Information:

- A. Opening for ME FE-CONTACT
- B. Foot catch released by screwdriver
- C. Centering lug for UCS HH...
- D. Mounting rail like EN 60715, TH 35-7,5
or mounting rail similar to EN 60715, TH 35-15x1,5

Pos.	QTY	description	material
1	1	UCS DIN	PC

	document-no. / ri	article-no.	scale	- Simplified representation - Document excluded from change process - Linear dimensions [mm]
	01068962 / 03	2203839	1:1	
	date	document-type		
	28.02.2023			
page 1	of 1	UCS DIN 145-F 7035		