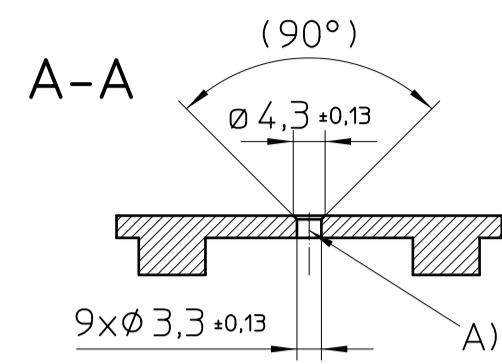
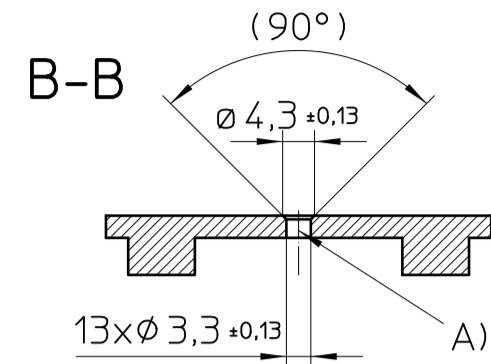


UTA . . . DIN rail adapter

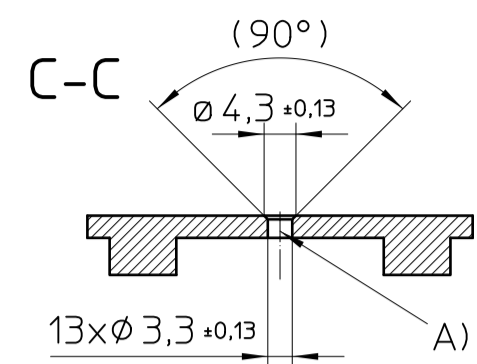
UTA 89



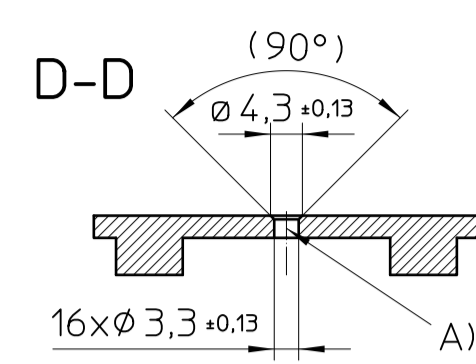
UTA 107



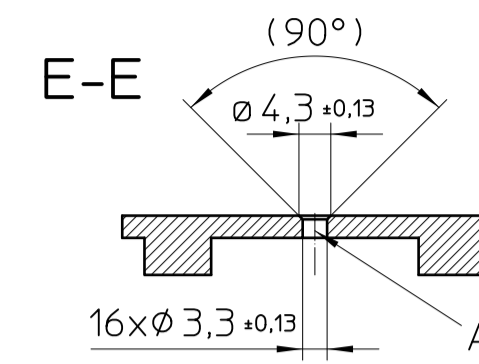
UTA 130



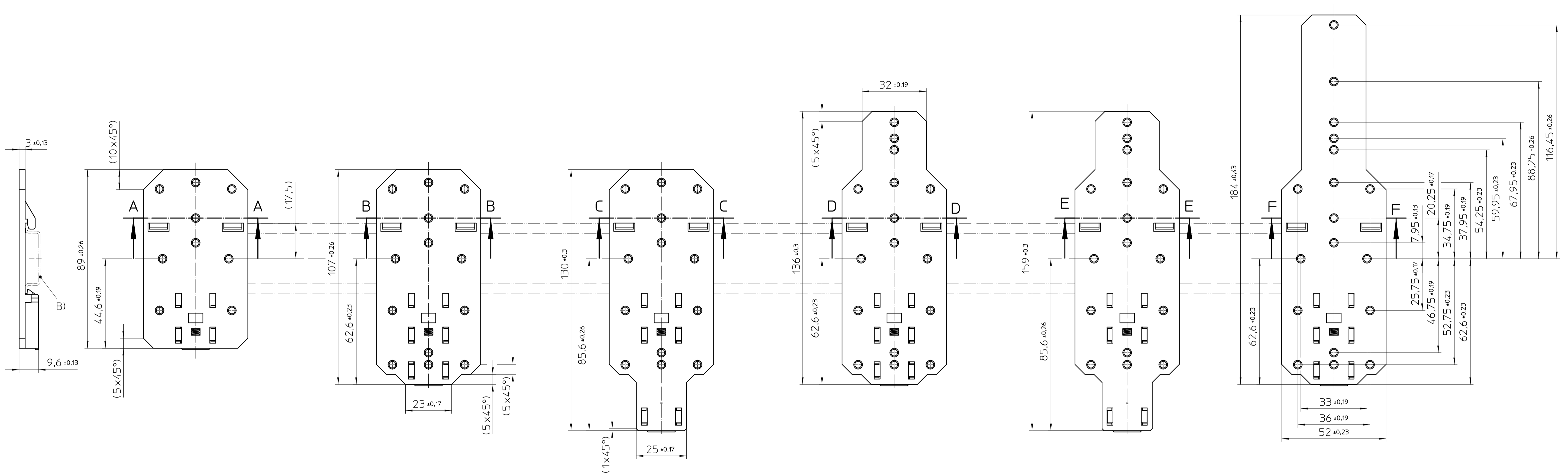
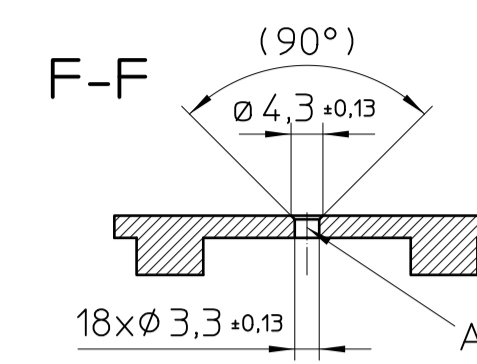
UTA 136



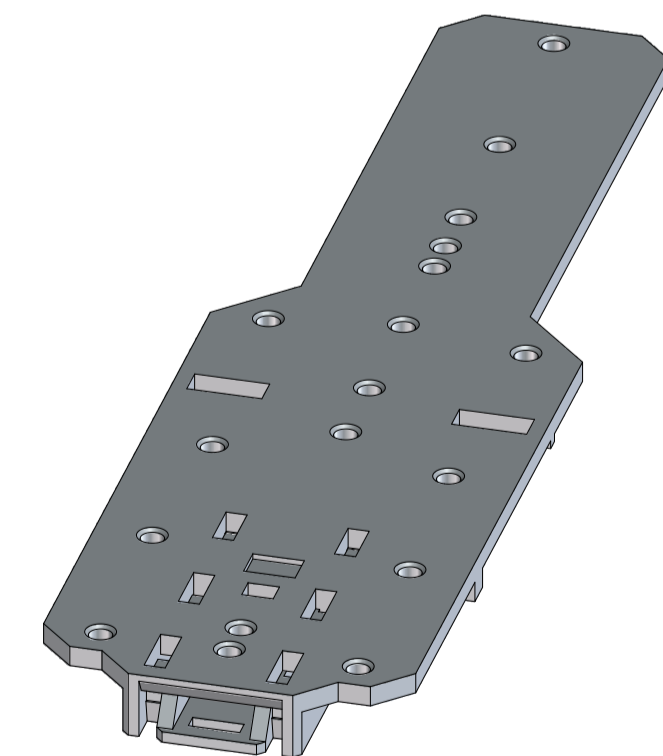
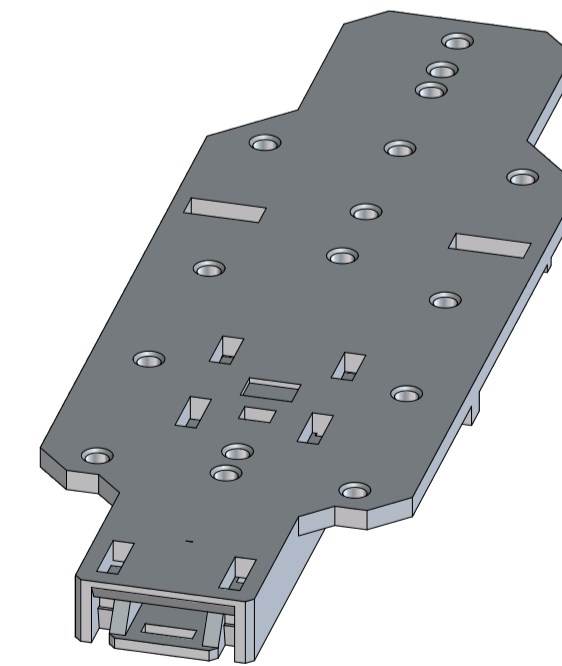
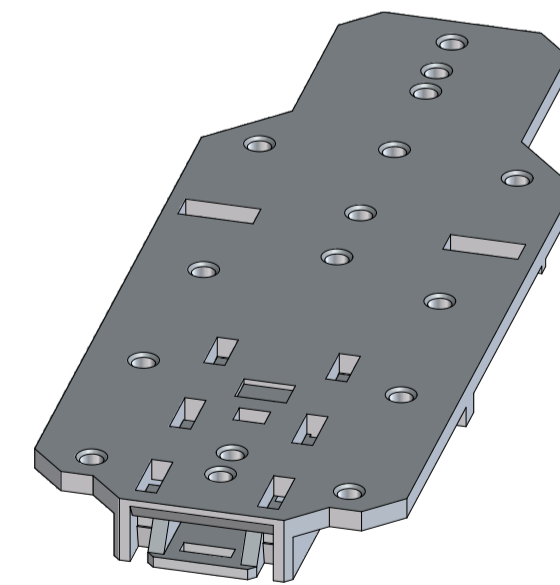
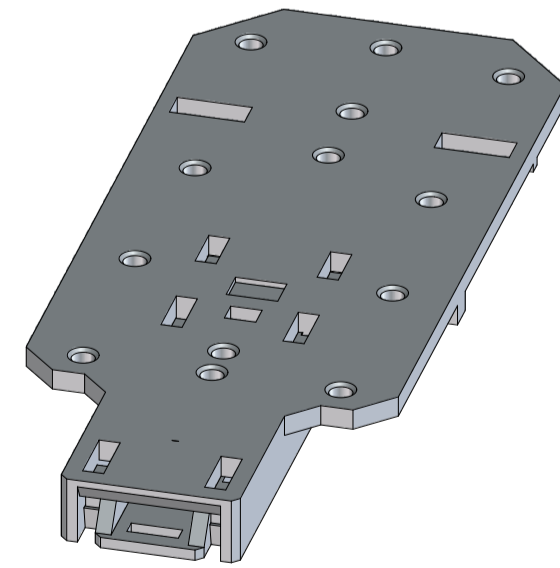
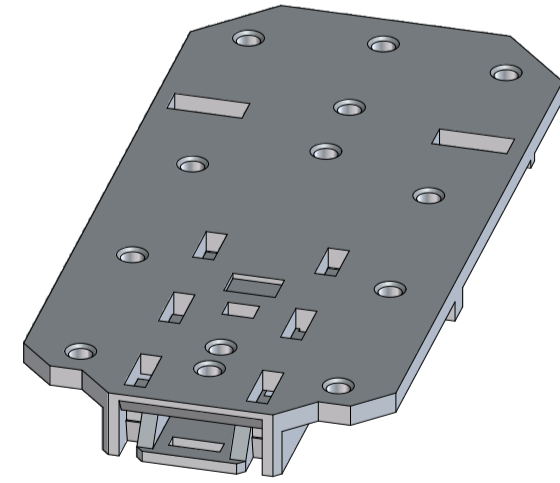
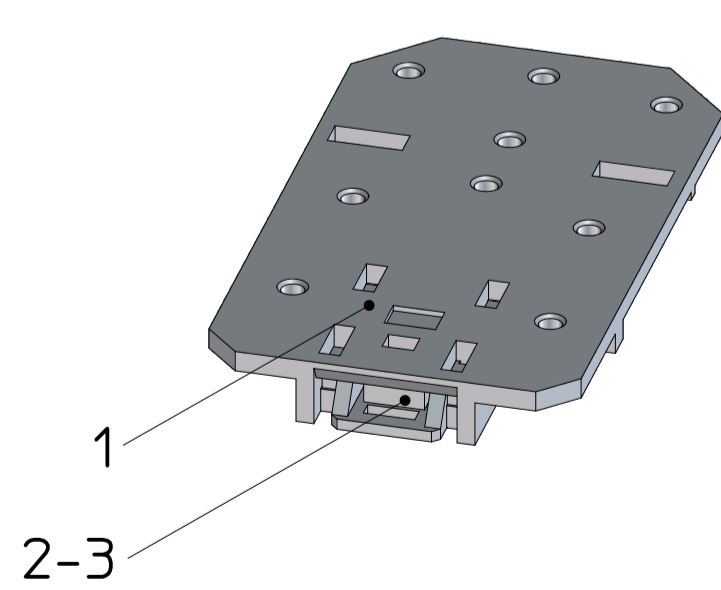
UTA 159



UTA 184



height
width
depth



General Information

- Simplified representation
- Document excluded from change process
- Further information: www.phoenixcontact.com webcode: #1637
- Linear dimensions [mm]

Additional Information:

- A) Clearance hole for M3 screw or rivets
core hole for M4 thread
- B) Mounting rail like EN 60715: TH35-7.5/15 or
mounting rail TH 35-15x2,3 similar to EN 60715

Pos.	QTY	Description	Material
1	1	RAIL ADAPTER	Zn alloy
2	1	FOOT CATCH	Zn alloy
3	1	Spring	STL

DIN A1	document-No. / Ri 00283280 / 05	date 19.10.2020	scale 1:1
2853983	document-type TECDOC 2D_Productfamily	description UTA 107	

Weitergabe sowie Vervielfältigung dieses Dokuments, Verwertung und
 Mitteilung seines Inhalts sind verboten, soweit nicht ausdrücklich gestattet.
 Alle Rechte vorbehalten. In Form von Patent-, Gebrauchsmuster- oder Designschutz.
 Transfer or duplication of this document as well as the utilization or
 communication of its content are not permitted unless expressly consent
 is given. All rights reserved. In case of patent, utility model or design registrations.