

Combination wall mounting socket outlet - with terminals ready wired for installation with fuse base

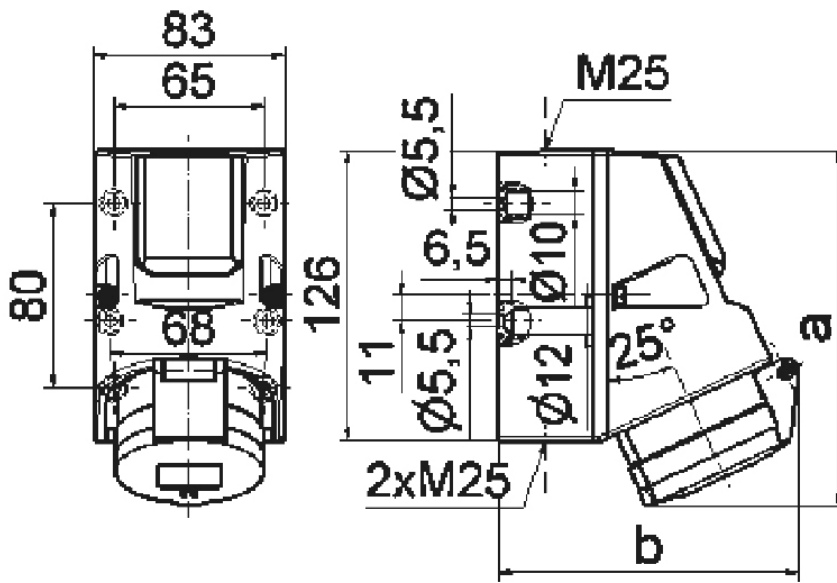


Product description	
BALS-Prd.-Nr	1020
EAN	4024941010207
Product category	Combined wall mounting socket outlet
Current	32A
Number of poles	4p
Poles	3P+PE
Position of earth contact	9 h
Voltage	200 up to 250V

Product description	
Frequency	50 and 60Hz
Protection degree	IP44
Colour code	blue RAL 5015
Colour of appliance	Hinged lid of domestic socket is blue RAL 5015, Hinged lid blue RAL 5015, Housing bottom grey RAL 7035, Housing top grey RAL 7035, Collar grey RAL 7035
Connection design	with screw terminal
Maximum conductor size	6,0 qmm
Cable entry	1xM25 top, 2xM25 bottom
Height	155mm
Width	83mm
Depth	130mm
Dimension of enclosure	126x83 mm (HxW)
Material of enclosure	Polyamide
Contact	The contact carrier is made of polyamide, The contacts are brass

Additional technical properties	
	The cable entry is one at top open and two at bottom closed, With integrated Schuko-type socket outlet 16A 230V AC German standard
	4 cut out fixing holes in the lower part of housing
	With 2 fuse bases 5x 20 mm DIN 41671,type 1862, With 3x6mm ² terminals with wiring

Logistics data	
Weight/pcs	0.513 kg / Piece
Packaging	Bag
Content amount	1 ST
EAN	4024941010207
Length	130 mm
Width	83 mm
Height	155 mm
Weight	0.514 kg
Volume	1,672.45 ccm
Packaging	Carton
Content amount	10 ST
EAN	4024941828277
Length	330 mm
Width	216 mm
Height	260 mm
Weight	5.356 kg
Volume	17,062.5 ccm



	16A		32A	
	4p	5p	4p	5p
a	154	155	156	157
b	127	130	130	136

1 MB 17