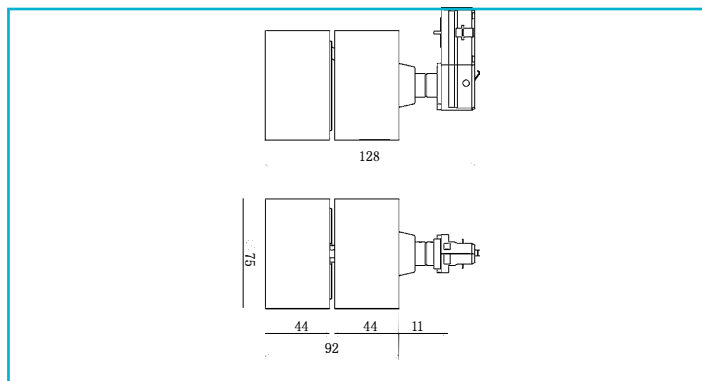


Art. no. 707188

Single-phase spotlight Uni II Mini, 8,9 W, DIM, 2700 K, black



Housing Material	Die-cast aluminium, Steel, Polycarbonate	Working Temperature	-10 to 55 °C
Housing Color	Black	Storage Temperature	-20 to 60 °C
Material of Lens	Polycarbonate - PC	IP Protection Class	IP 20
Protection Class	Protection class I/protective grounding	Life Time L70 / B50	50000 h
Rated Input	11.3 W	Life Time L80 / B10	50000 h
Rated Input Voltage Frequency	200-240 V/AC 50 / 60 Hz	Switching Cycles	50000
Power Supply Unit incl.	Yes	Power Consumption	12 kWh/1000h
Connection Type	Adapter	Energy Efficiency Class Lightsources	This product contains a light source of energy efficiency class F.
Dimmable	Yes		
Control technology	Leading-edge dimmer, Trailing-edge dimmer		
Motion Detector	No		
Light Source	LED, Light source changeable TC		
Lightcolor	Warm white (WW)		
Color Temperature	2700 K		
Colour Consistency	3 SDCM		
Colour Rendering Index (Ra)	90		
Rated Luminous Flux	645 lm		
Luminous Efficiency	57.1 lm/W		
Rated Angle of Reflection	36 Degree		
Swivel Angle	90 Degree		
Rotation Angle	350 Degree		
Light Exit Surfaces	1		
Light characteristics	Direct		
Light direction	Below		
Height	128 mm		
Diameter	75 mm		
Product weight	488 g		