

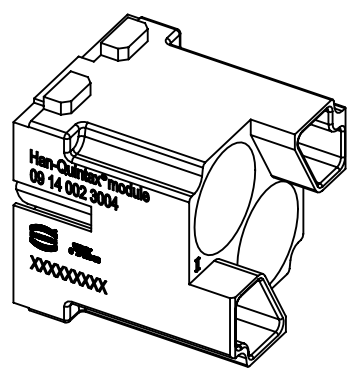
Han-Quintax® module
09 14 002 3004



XXXXXXXXXX

male

male



	All Dimensions in mm Original Size DIN A4		Scale 2:1	Free size tol.		Ref. Sub.	
		All rights reserved Department EL PD	Created by HOLLERT	Inspected by SUNDERMEIER	Standardisation	Date 2023-03-22	State Final Release
Title Han-Quintax module, male					Doc-Key / ECM-Nr. 100707232/UGD/001/C 50000024.0122		
HARTING D-32339 Espelkamp			Type TB	Number 09 14 002 3004		Rev. C	Page 1/1