

## Panel mounting socket outlet - flange 100x92, fixing centers 85x77, angled execution

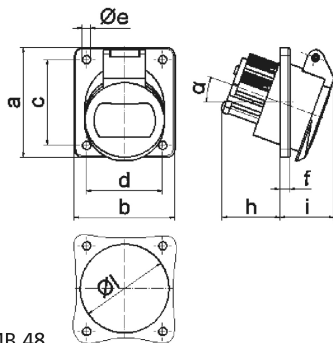


| Product description       |   |
|---------------------------|---|
| BALS-Prd.-Nr              | 4239  |
| EAN                       | 4024941042390   |
| Product category          | Panel mounting socket Outlet, extra-low voltage, angled |
| Current                   | 32A   |
| Number of poles           | 3p  |
| Poles                     | 3P  |
| Position of earth contact | no minor keyway   |
| Voltage                   | 20 up to 25v  |

| Product description            |  |
|--------------------------------|--|
| Frequency                      | 50 and 60Hz  |
| Protection degree              | IP44   |
| Colour code                    | violet RAL 4005  |
| Colour of appliance            | Enclosure grey RAL 7035, Hinged lid violet RAL 4005                            |
| Connection design              | with screw terminal  |
| Maximum conductor size         | 10,0 qmm   |
| Cable entry                    | other  |
| Height                         | 100mm  |
| Width                          | 92mm   |
| Depth                          | 70mm   |
| Flange size vertical           | 100mm  |
| Flange size horizontal         | 92mm   |
| Drill hole distance vertical   | 85mm   |
| Drill hole distance horizontal | 77mm   |
| Material of enclosure          | Polyamide  |
| Contact                        | The contact carrier is made of polyamide, the contacts are brass nickel plated |

| Additional technical properties |                        |
|---------------------------------|------------------------|
|                                 | The inclination is 20° |

| Logistics data |                  |
|----------------|------------------|
| Weight/pcs     | 0.165 kg / Piece |
| Packaging      | Carton           |
| Content amount | 10 ST            |
| EAN            | 4024941837064    |
| Length         | 245 mm           |
| Width          | 177 mm           |
| Height         | 185 mm           |
| Weight         | 1.783 kg         |
| Volume         | 7,140 ccm        |



| Ampere Polzahl             | 16<br>2 | 16<br>3 | 32<br>2 | 32<br>3 |
|----------------------------|---------|---------|---------|---------|
| a                          | 100,0   | 100,0   | 100,0   | 100,0   |
| b                          | 92,0    | 92,0    | 92,0    | 92,0    |
| c                          | 85,0    | 85,0    | 85,0    | 85,0    |
| d                          | 77,0    | 77,0    | 77,0    | 77,0    |
| e ø                        | 5,2     | 5,2     | 5,2     | 5,2     |
| f                          | 6,0     | 6,0     | 6,0     | 6,0     |
| h                          | 36,0    | 36,0    | 36,0    | 36,0    |
| i                          | 35,0    | 35,0    | 35,0    | 35,0    |
| α                          | 20°     | 20°     | 20°     | 20°     |
| l ø                        | 55,0    | 55,0    | 55,0    | 55,0    |
| Leiter mm <sup>2</sup> min | 4       | 4       | 4       | 4       |
| Leiter mm <sup>2</sup> max | 10      | 10      | 10      | 10      |