

SLC Power Repeater CV 1Ch 10A 12-36V

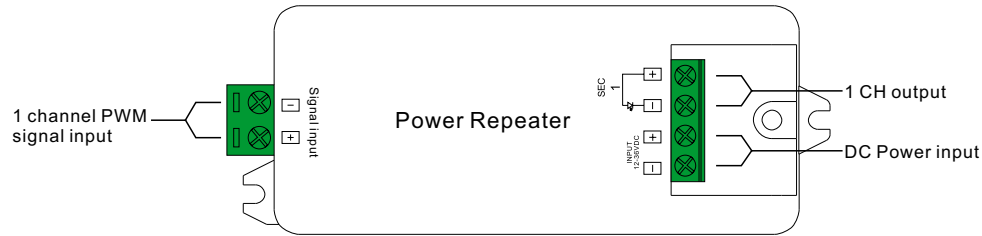


S29001

Wiring Diagram

Important: Read All Instructions Prior to Installation

Function introduction



Product Data

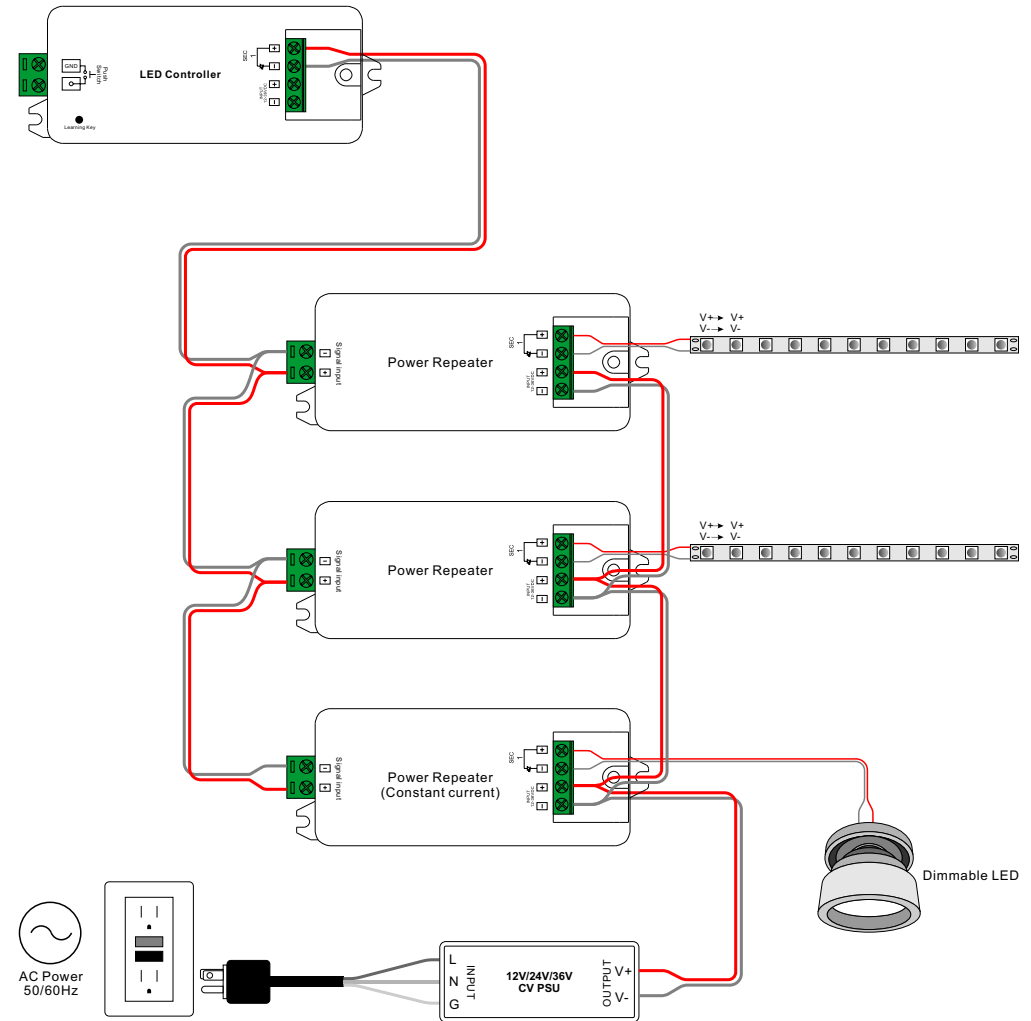
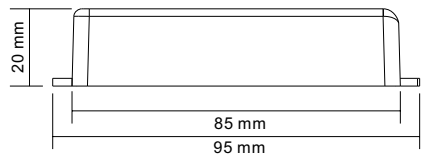
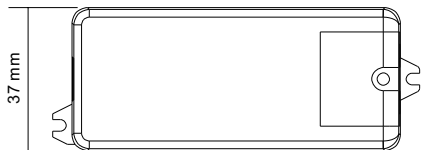
Input Voltage	Output Current	Output Power	Remarks	Size(LxWxH)
12-36VDC	1x10A	1x(120-360)W	Constant voltage	95x37x20mm

- Repeater dimming signal
- One channel input ,one channel output
- Power repeater in series to expand output unlimitedly
- Waterproof grade: IP20

Safety & Warnings

- DO NOT install with power applied to device.
- DO NOT expose the device to moisture.

Product Dimension



The Light Group AS, Sagmyra 2A, 4624 Kristiansand, Norway