

## Wall mounting socket outlet - housing dimensions 170x118, with electrical interlocking PSK



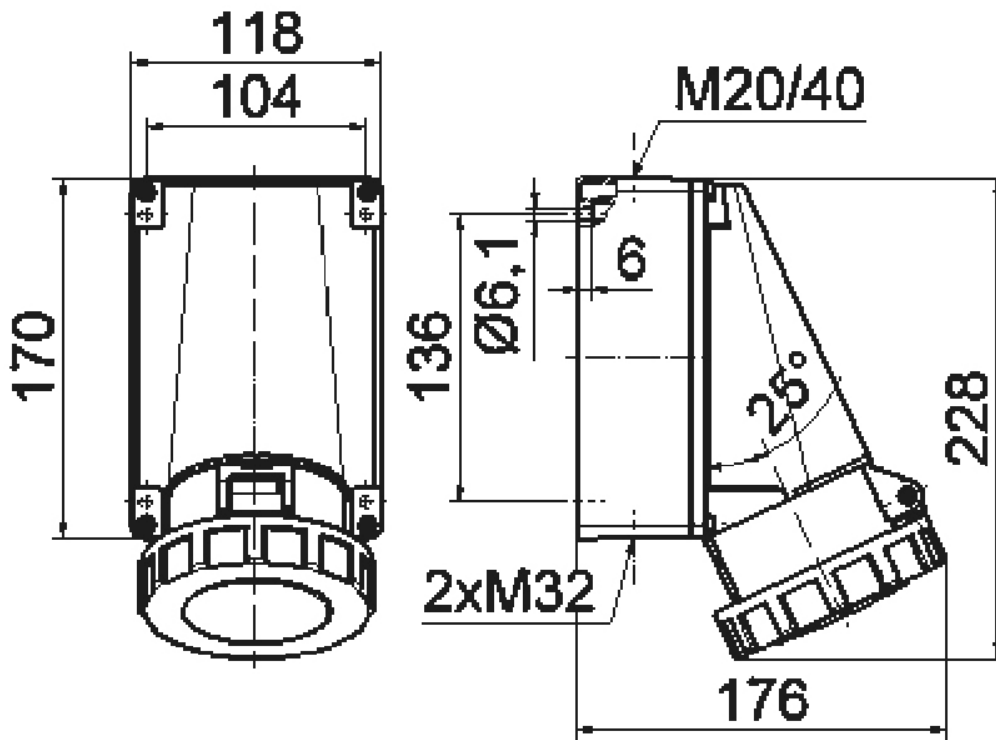
Product description	
BALS-Prd.-Nr	11052
EAN	4024941110525
product category (PG)	Wall mounting socket outlet
current (A)	63A
number of poles (P99)	4p
number of poles (P)	3P+PE
position of earth contact (H)	6 h
voltage (V)	380 up to 415V

Product description	
frequency (HZ)	50 and 60Hz
protection degree (SA)	IP67
colour code 1 (KF1)	red RAL 3000
Colour of appliance	Hinged lid red RAL 3000, Bayonet ring grey RAL 7035, Housing bottom grey RAL 7035, Housing top grey RAL 7035
connection design (AT)	screw terminal as box terminal with Kontex-contact
maximum conductor size (LQ)	25.0 qmm
cable entry (KE)	top entry M40/M20 bottom entry M32
Height	228mm
Width	118mm
Depth	176mm
dimension of enclosure (GG)	170x118 mm (HxW)
material of enclosure (GM)	Polycarbonate
contact	The contact carrier is made of high temperature resistant material, the contacts are brass nickel plated

Additional technical properties	
	The cable entry is two at top open and two at bottom closed, electrically interlocked wit
	Lower part of housing rotatable by 180°

Logistics data	
Weight/pcs	0.0 kg / Piece

Logistics data	
Packaging	Bag
Content amount	1 ST
EAN	4024941110525
Length	176 mm
Width	118 mm
Height	228 mm
Weight	0.001 kg
Volume	4,735.104 ccm
Packaging	Carton
Content amount	5 ST
EAN	4024941828604
Length	345 mm
Width	345 mm
Height	217 mm
Weight	0.335 kg
Volume	24,276 ccm



1 MB 31