

# NX-series Analog I/O Unit

# NX-AD/DA

CSM\_NX-AD\_DA\_DS\_E\_3\_3

## Analog inputs and outputs to meet all machine control needs, from general purpose to high-speed synchronous control

- Connect to other NX I/O Units and EtherCAT® Coupler Units using the high-speed NX-bus
- Separate modules for voltage and current



## Features

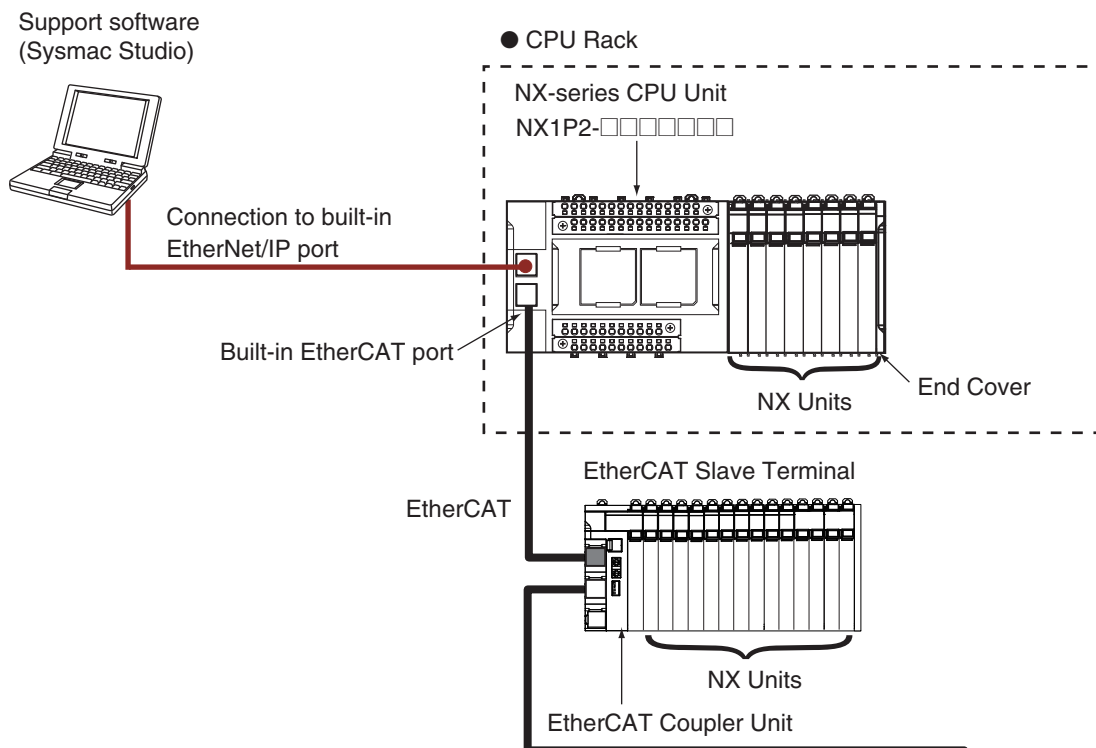
- Up to eight analog inputs per unit (NX-AD)
- Up to four analog outputs per unit (NX-DA)
- Free-run refreshing or synchronous I/O refreshing with the NX1P2 CPU Unit or EtherCAT Coupler Unit
- Sampling times down to 10  $\mu$ s per channel and high resolution of 1/30,000
- Single-ended input type with built-in power supply terminals for low power equipments or noise-resistant differential input type (NX-AD)
- Selecting channel to use, moving average, input disconnection detection, over range/under range detection, and user calibration
- Detachable front connector with screwless Push-In Plus terminals for easy installation and maintenance
- Compact with a width of 12 mm per unit
- Connect to the CJ PLC using the EtherNet/IP™ bus coupler

SyMac is a trademark or registered trademark of OMRON Corporation in Japan and other countries for OMRON factory automation products. EtherCAT® is a registered trademark and patented technology, licensed by Beckhoff Automation GmbH, Germany. EtherNet/IP™ is a trademark of ODVA. Other company names and product names in this document are the trademarks or registered trademarks of their respective companies.

## System Configurations

### Connected to a CPU Unit or Communication Control Unit

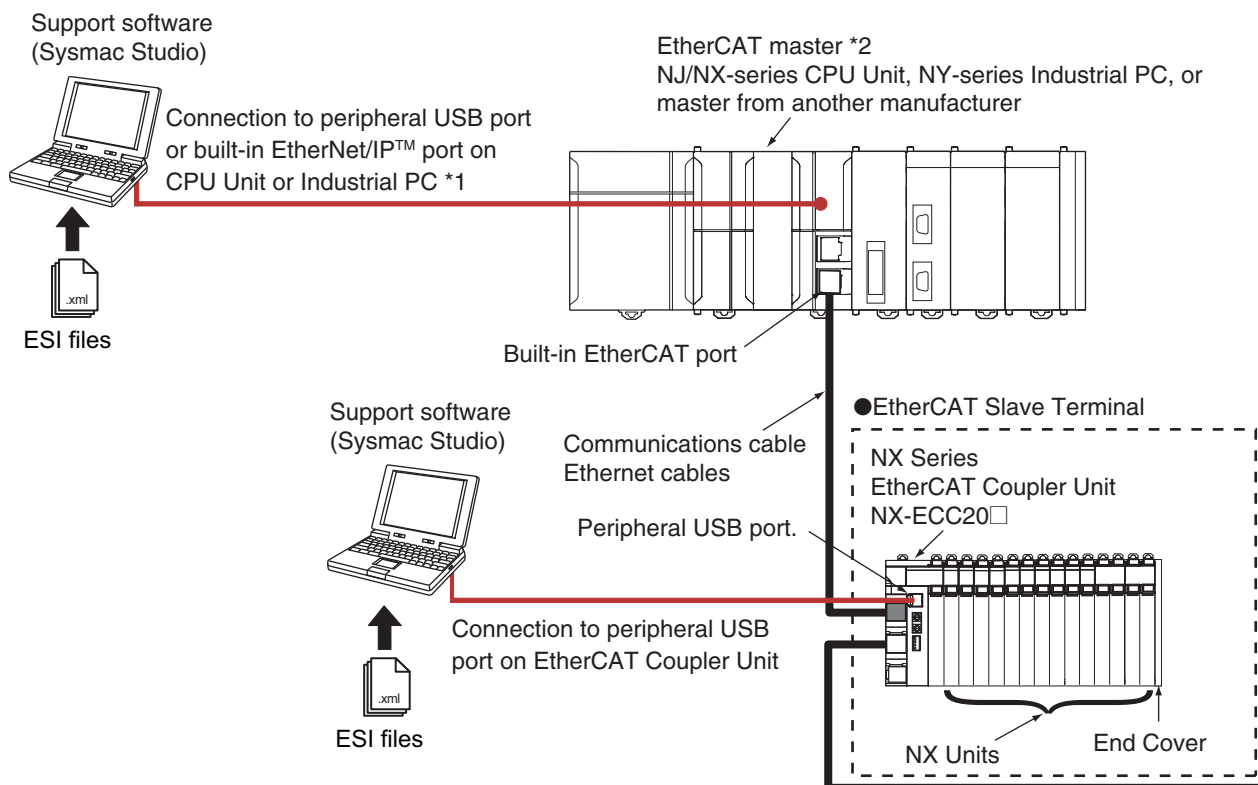
The following figure shows a system configuration when NX Units are connected to an NX-series CPU Unit.



**Note:** For whether an NX Unit can be connected to the CPU Unit, refer to the version information.

### Connected to an EtherCAT Coupler Unit

The following figure shows an example of the system configuration when an EtherCAT Coupler Unit is used as a Communications Coupler Unit.



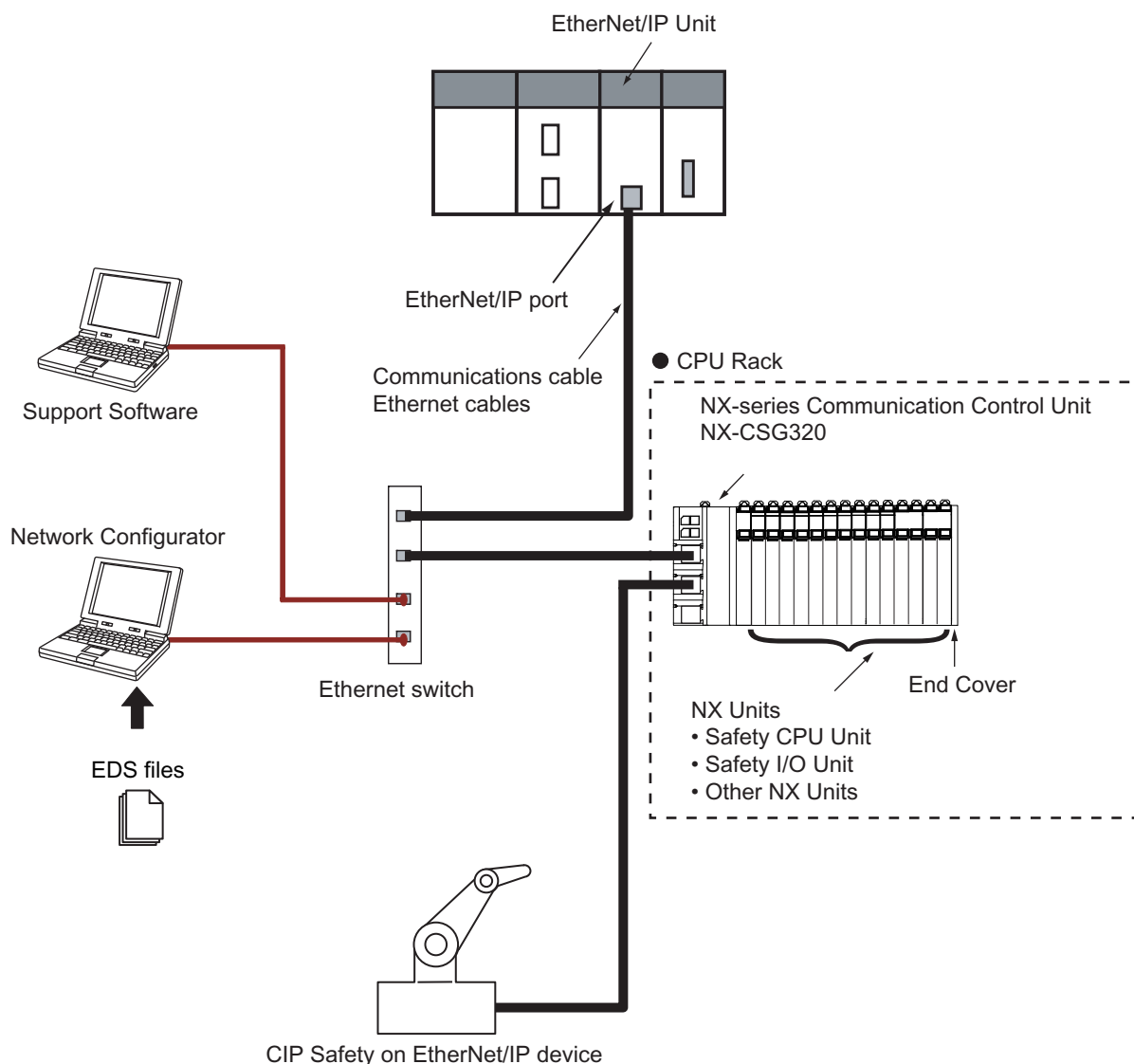
\*1. The connection method for the Sysmac Studio depends on the model of the CPU Unit or Industrial PC.

\*2. An EtherCAT Slave Terminal cannot be connected to any of the OMRON CJ1W-NC□81□82 Position Control Units even though they can operate as EtherCAT masters.

**Note:** For whether an NX Unit can be connected to the Communications Coupler Unit, refer to the version information.

## System Configuration in the Case of a Communication Control Unit

The following figure shows a system configuration when a group of NX Units is connected to an NX-series Communication Control Unit. To configure a Safety Network Controller, mount the Safety CPU Unit, which is one of the NX Units, to the CPU Rack of the Communication Control Unit.



**Note:** For whether an NX Unit can be connected to the Communication Control Unit, refer to the version information.

## Model Number Structure

NX-□□□□□□  
 (1) (2) (3) (4)

### (1) Unit type

No.	Specification
AD	Analog input
DA	Analog output

### (2) Number of points

No.	Specification
2	2 points
3	4 points
4	8 points

### (3) I/O range

No.	Specification
1	---
2	4 to 20 mA
6	-10 to +10 V

### (4) Other specifications

#### Analog Input Units

No.	Resolution	Conversion time	Input method	I/O refreshing method	
				Free-Run refreshing *1 only	Switching synchronous I/O refreshing *2 and Free-Run refreshing
03	1/8000	250 μs/point	Single-ended	Yes	---
04	1/8000	250 μs/point	Differential	Yes	---
08	1/30000	10 μs/point	Differential	---	Yes

\*1 Free-Run refreshing

\*2 Synchronous I/O refreshing

#### Analog Output Units

No.	Resolution	Conversion time	I/O refreshing method	
			Free-Run refreshing *1 only	Switching synchronous I/O refreshing *2 and Free-Run refreshing
03	1/8000	250 μs/point	Yes	---
05	1/30000	10 μs/point	---	Yes

\*1 Free-Run refreshing



\*2 Synchronous I/O refreshing

## Ordering Information



### Applicable standards

Refer to the OMRON website ([www.ia.omron.com](http://www.ia.omron.com)) or ask your OMRON representative for the most recent applicable standards for each model.

### Analog Input Units

Product name	Specification									Model
	Number of points	Input range	Resolution	Conversion value, decimal number (0 to 100%)	Over all accuracy (25°C)	Input method	Conversion time	Input impedance	I/O refreshing method	
<b>Voltage Input type</b> 	2 points	-10 to +10 V	1/8000	-4000 to 4000	±0.2% (full scale)	Single-ended input	250 μs/point	1 MΩ min.	Free-Run refreshing	NX-AD2603
						Differential input				NX-AD2604
	1/30000		-15000 to 15000	±0.1% (full scale)	Differential input	10 μs/point	Selectable Synchronous I/O refreshing or Free-Run refreshing		NX-AD2608	
					1/8000		-4000 to 4000		±0.2% (full scale)	Single-ended input
	Differential input		NX-AD3604							
	1/30000		-15000 to 15000	±0.1% (full scale)	Differential input	10 μs/point	Selectable Synchronous I/O refreshing or Free-Run refreshing		NX-AD3608	
					1/8000		-4000 to 4000		±0.2% (full scale)	Single-ended input
	Differential input		NX-AD4604							
1/30000	-15000 to 15000	±0.1% (full scale)	Differential input	10 μs/point	Selectable Synchronous I/O refreshing or Free-Run refreshing	NX-AD4608				
			<b>Current Input type</b> 		2 points	4 to 20 mA	1/8000	0 to 8000	±0.2% (full scale)	Single-ended input
Differential input	NX-AD2204									
1/30000	0 to 30000	±0.1% (full scale)		Differential input	10 μs/point		Selectable Synchronous I/O refreshing or Free-Run refreshing	NX-AD2208		
				1/8000			0 to 8000	±0.2% (full scale)	Single-ended input	250 μs/point
Differential input	NX-AD3204									
1/30000	0 to 30000	±0.1% (full scale)		Differential input	10 μs/point		Selectable Synchronous I/O refreshing or Free-Run refreshing	NX-AD3208		
				1/8000			0 to 8000	±0.2% (full scale)	Single-ended input	250 μs/point
Differential input	NX-AD4204									
1/30000	0 to 30000	±0.1% (full scale)	Differential input	10 μs/point	Selectable Synchronous I/O refreshing or Free-Run refreshing	NX-AD4208				

## Analog Output Units

Product name	Specification							Model
	Number of points	Output range	Resolution	Output setting value, decimal number (0 to 100%)	Over all accuracy (25°C)	Conversion time	I/O refreshing method	
<b>Voltage Output type</b> 	2 points	-10 to +10 V	1/8000	-4000 to 4000	±0.3% (full scale)	250 μs/point	Free-Run refreshing	<b>NX-DA2603</b>
			1/30000	-15000 to 15000	±0.1% (full scale)	10 μs/point	Selectable Synchronous I/O refreshing or Free-Run refreshing	<b>NX-DA2605</b>
	4 points		1/8000	-4000 to 4000	±0.3% (full scale)	250 μs/point	Free-Run refreshing	<b>NX-DA3603</b>
			1/30000	-15000 to 15000	±0.1% (full scale)	10 μs/point	Selectable Synchronous I/O refreshing or Free-Run refreshing	<b>NX-DA3605</b>
<b>Current Output type</b> 	2 points	4 to 20 mA	1/8000	0 to 8000	±0.3% (full scale)	250 μs/point	Free-Run refreshing	<b>NX-DA2203</b>
			1/30000	0 to 30000	±0.1% (full scale)	10 μs/point	Selectable Synchronous I/O refreshing or Free-Run refreshing	<b>NX-DA2205</b>
	4 points		1/8000	0 to 8000	±0.3% (full scale)	250 μs/point	Free-Run refreshing	<b>NX-DA3203</b>
			1/30000	0 to 30000	±0.1% (full scale)	10 μs/point	Selectable Synchronous I/O refreshing or Free-Run refreshing	<b>NX-DA3205</b>

## Optional Products

Product name	Specification	Model
<b>Unit/Terminal Block Coding Pins</b>	For 10 Units (Terminal Block: 30 pins, Unit: 30 pins)	<b>NX-AUX02</b>

Product name	Specification				Model
	No. of terminals	Terminal number indications	Ground terminal mark	Terminal current capacity	
<b>Terminal Block</b>	8	A/B	None	10 A	<b>NX-TBA082</b>
	12				<b>NX-TBA122</b>
	16				<b>NX-TBA162</b>

## Accessories

Not included.


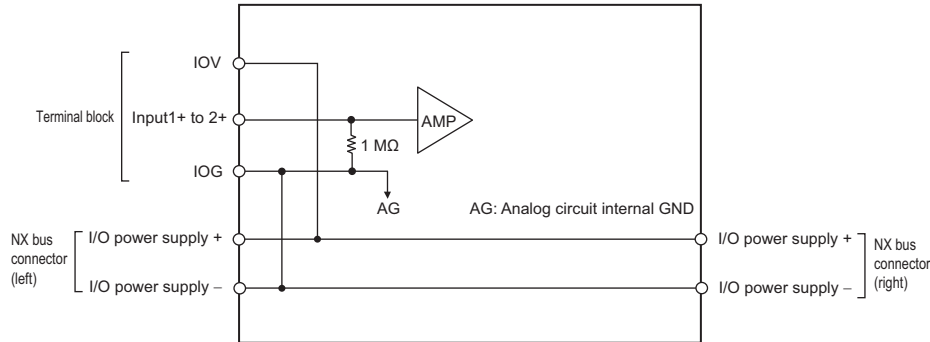
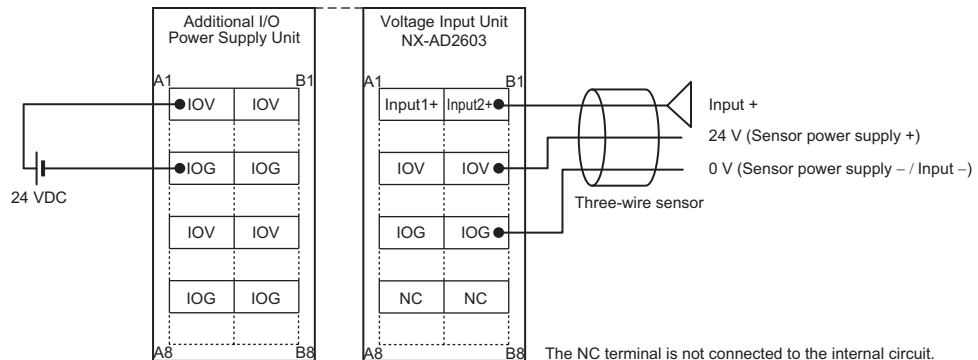
## General Specifications

Item		Specification
Enclosure		Mounted in a panel
Grounding method		Ground to 100 $\Omega$ or less
Operating environment	Ambient operating temperature	0 to 55°C
	Ambient operating humidity	10% to 95% (with no condensation or icing)
	Atmosphere	Must be free from corrosive gases.
	Ambient storage temperature	-25 to 70°C (with no condensation or icing)
	Altitude	2,000 m max.
	Pollution degree	2 or less: Meets IEC 61010-2-201.
	Noise immunity	2 kV on power supply line (Conforms to IEC61000-4-4.)
	Overvoltage category	Category II: Meets IEC 61010-2-201.
	EMC immunity level	Zone B
	Vibration resistance	Conforms to IEC 60068-2-6. 5 to 8.4 Hz with 3.5-mm amplitude, 8.4 to 150 Hz, acceleration of 9.8 m/s <sup>2</sup> , 100 min each in X, Y, and Z directions (10 sweeps of 10 min each = 100 min total)
Shock resistance	Conforms to IEC 60068-2-27. 147 m/s <sup>2</sup> , 3 times each in X, Y, and Z directions	
Applicable standards *		cULus: Listed (UL508), ANSI/ISA 12.12.01, EU: EN 61131-2, C-Tick or RCM, KC Registration, NK, LR

\* Refer to the OMRON website ([www.ia.omron.com](http://www.ia.omron.com)) or ask your OMRON representative for the most recent applicable standards for each model.

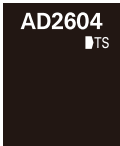
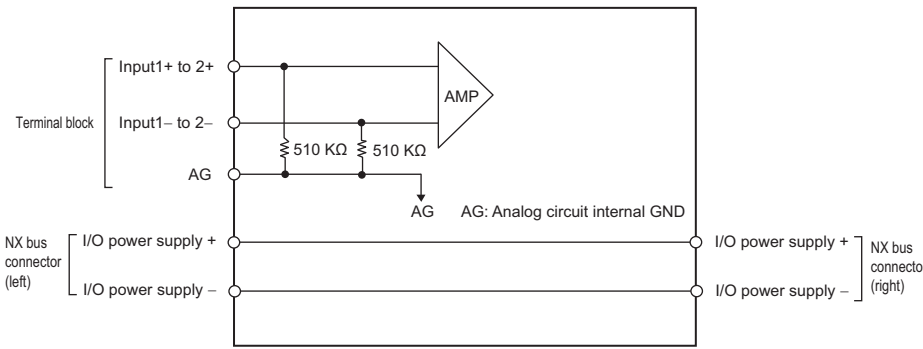
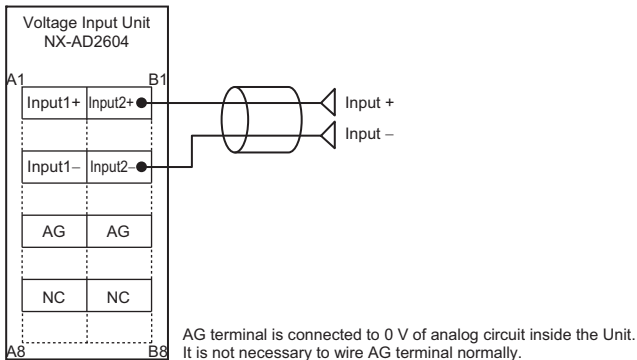
# Analog Input Unit Specifications

## Analog Input Unit (voltage input type) 2 points NX-AD2603

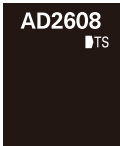
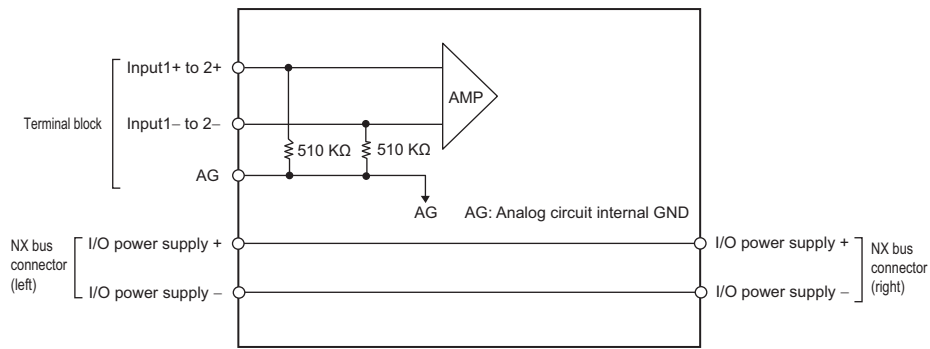
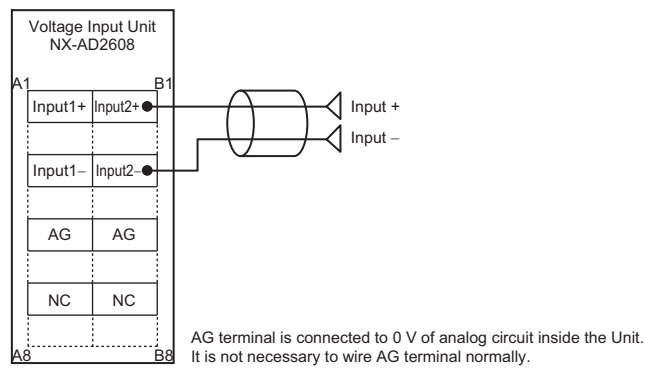
<b>Unit name</b>	Analog Input Unit (voltage input type)	<b>Model</b>	NX-AD2603				
<b>Number of points</b>	2 points	<b>External connection terminals</b>	Screwless clamping terminal block (8 terminals)				
<b>I/O refreshing method</b>	Free-Run refreshing						
<b>Indicator</b>	TS indicator 	<b>Input method</b>	Single-ended input				
		<b>Input range</b>	-10 to +10 V				
		<b>Input conversion range</b>	-5 to 105% (full scale)				
		<b>Absolute maximum rating</b>	±15 V				
		<b>Input impedance</b>	1 MΩ min.				
		<b>Resolution</b>	1/8000 (full scale)				
		<b>Overall accuracy</b>	<table border="1"> <tr> <td>25°C</td> <td>±0.2% (full scale)</td> </tr> <tr> <td>0 to 55°C</td> <td>±0.4% (full scale)</td> </tr> </table>	25°C	±0.2% (full scale)	0 to 55°C	±0.4% (full scale)
		25°C	±0.2% (full scale)				
0 to 55°C	±0.4% (full scale)						
<b>Conversion time</b>	250 μs/point						
<b>Dimensions</b>	12 (W) x 100 (H) x 71 (D)	<b>Isolation method</b>	Between the input and the NX bus: Power = Transformer, Signal = Digital isolator (no isolation between inputs)				
<b>Insulation resistance</b>	20 MΩ min. between isolated circuits (at 100 VDC)	<b>Dielectric strength</b>	510 VAC between isolated circuits for 1 minute at a leakage current of 5 mA max.				
<b>I/O power supply method</b>	Supply from the NX bus	<b>Current capacity of I/O power supply terminal</b>	IOV: 0.1 A/terminal max., IOG: 0.1 A/terminal max.				
<b>NX Unit power consumption</b>	<ul style="list-style-type: none"> <li>Connected to a CPU Unit or Communication Control Unit 1.35 W max.</li> <li>Connected to a Communications Coupler Unit 1.05 W max.</li> </ul>	<b>I/O current consumption</b>	No consumption				
<b>Weight</b>	70 g max.						
<b>Circuit layout</b>							
<b>Installation orientation and restrictions</b>	Installation orientation: <ul style="list-style-type: none"> <li>Connected to a CPU Unit or Communication Control Unit: Possible in upright installation.</li> <li>Connected to a Communications Coupler Unit: Possible in 6 orientations.</li> </ul> Restrictions: No restrictions						
<b>Terminal connection diagram</b>	 <p>The NC terminal is not connected to the internal circuit.</p>						
<b>Input disconnection detection</b>	Not supported.						



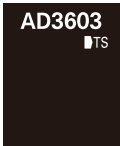
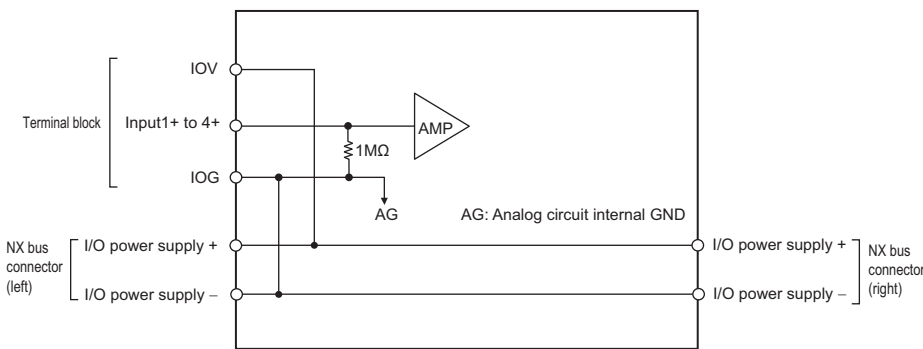
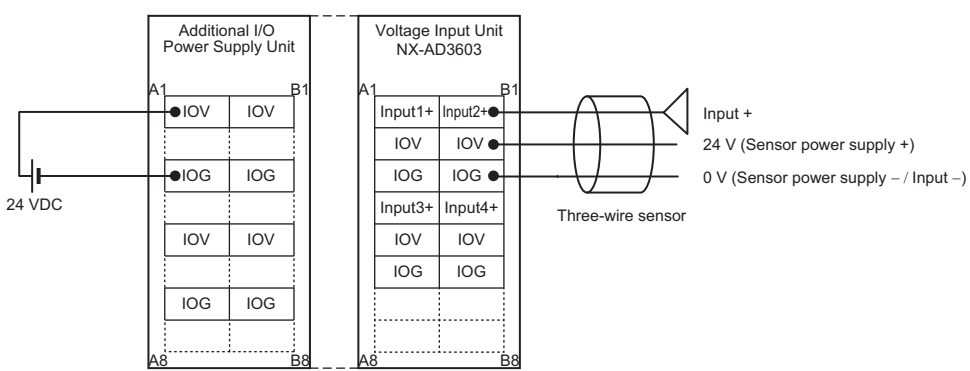
### Analog Input Unit (voltage input type) 2 points NX-AD2604

<b>Unit name</b>	Analog Input Unit (voltage input type)	<b>Model</b>	NX-AD2604
<b>Number of points</b>	2 points	<b>External connection terminals</b>	Screwless clamping terminal block (8 terminals)
<b>I/O refreshing method</b>	Free-Run refreshing		
<b>Indicator</b>		<b>Input method</b>	Differential Input
		<b>Input range</b>	-10 to +10 V
		<b>Input conversion range</b>	-5 to 105% (full scale)
		<b>Absolute maximum rating</b>	±15 V
		<b>Input impedance</b>	1 MΩ min.
		<b>Resolution</b>	1/8000 (full scale)
		<b>Overall accuracy</b>	25°C: ±0.2% (full scale) 0 to 55°C: ±0.4% (full scale)
		<b>Conversion time</b>	250 μs/point
<b>Dimensions</b>	12 (W) x 100 (H) x 71 (D)	<b>Isolation method</b>	Between the input and the NX bus: Power = Transformer, Signal = Digital isolator (no isolation between inputs)
<b>Insulation resistance</b>	20 MΩ min. between isolated circuits (at 100 VDC)	<b>Dielectric strength</b>	510 VAC between isolated circuits for 1 minute at a leakage current of 5 mA max.
<b>I/O power supply method</b>	No supply	<b>Current capacity of I/O power supply terminal</b>	Without I/O power supply terminals
<b>NX Unit power consumption</b>	<ul style="list-style-type: none"> <li>Connected to a CPU Unit or Communication Control Unit: 1.35 W max.</li> <li>Connected to a Communications Coupler Unit: 1.05 W max.</li> </ul>	<b>I/O current consumption</b>	No consumption
<b>Weight</b>	70 g max.		
<b>Circuit layout</b>			
<b>Installation orientation and restrictions</b>	<p>Installation orientation:</p> <ul style="list-style-type: none"> <li>Connected to a CPU Unit or Communication Control Unit: Possible in upright installation.</li> <li>Connected to a Communications Coupler Unit: Possible in 6 orientations.</li> </ul> <p>Restrictions: No restrictions</p>		
<b>Terminal connection diagram</b>	 <p>AG terminal is connected to 0 V of analog circuit inside the Unit. It is not necessary to wire AG terminal normally.</p>		
<b>Input disconnection detection</b>	Not supported.		

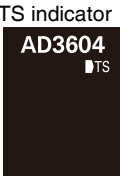
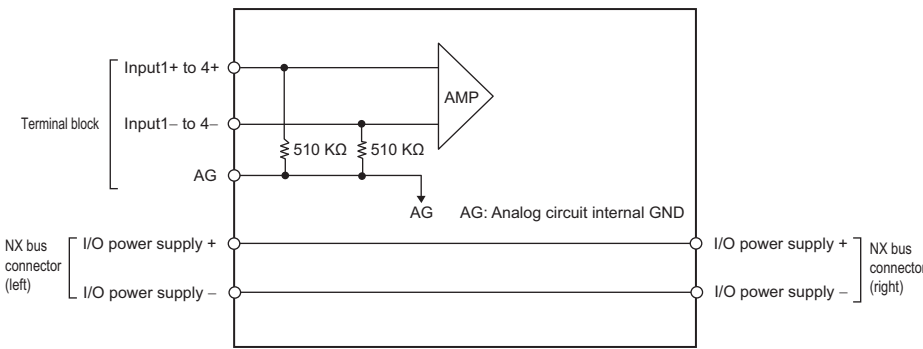
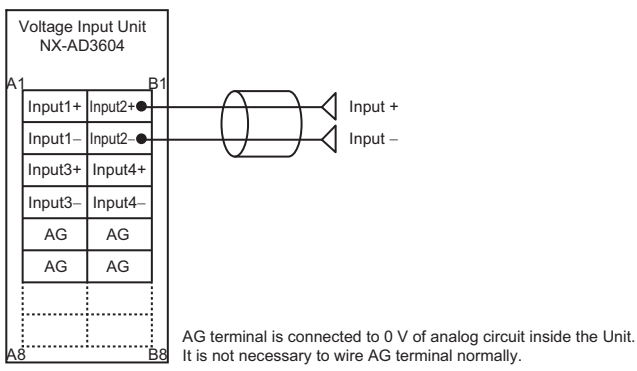
### Analog Input Unit (voltage input type) 2 points NX-AD2608

<b>Unit name</b>	Analog Input Unit (voltage input type)	<b>Model</b>	NX-AD2608	
<b>Number of points</b>	2 points	<b>External connection terminals</b>	Screwless clamping terminal block (8 terminals)	
<b>I/O refreshing method</b>	Selectable Synchronous I/O refreshing or Free-Run refreshing			
<b>Indicator</b>		<b>Input method</b>	Differential Input	
		<b>Input range</b>	-10 to +10 V	
		<b>Input conversion range</b>	-5 to 105% (full scale)	
		<b>Absolute maximum rating</b>	±15 V	
		<b>Input impedance</b>	1 MΩ min.	
		<b>Resolution</b>	1/30000 (full scale)	
		<b>Overall accuracy</b>	25°C	±0.1% (full scale)
			0 to 55°C	±0.2% (full scale)
<b>Conversion time</b>	10 μs/point			
<b>Dimensions</b>	12 (W) x 100 (H) x 71 (D)	<b>Isolation method</b>	Between the input and the NX bus: Power = Transformer, Signal = Digital isolator (no isolation between inputs)	
<b>Insulation resistance</b>	20 MΩ min. between isolated circuits (at 100 VDC)	<b>Dielectric strength</b>	510 VAC between isolated circuits for 1 minute at a leakage current of 5 mA max.	
<b>I/O power supply method</b>	No supply	<b>Current capacity of I/O power supply terminal</b>	Without I/O power supply terminals	
<b>NX Unit power consumption</b>	<ul style="list-style-type: none"> <li>Connected to a CPU Unit or Communication Control Unit 1.35 W max.</li> <li>Connected to a Communications Coupler Unit 1.05 W max.</li> </ul>	<b>I/O current consumption</b>	No consumption	
<b>Weight</b>	70 g max.			
<b>Circuit layout</b>				
<b>Installation orientation and restrictions</b>	<p>Installation orientation:</p> <ul style="list-style-type: none"> <li>Connected to a CPU Unit or Communication Control Unit: Possible in upright installation.</li> <li>Connected to a Communications Coupler Unit: Possible in 6 orientations.</li> </ul> <p>Restrictions: No restrictions</p>			
<b>Terminal connection diagram</b>	 <p>AG terminal is connected to 0 V of analog circuit inside the Unit. It is not necessary to wire AG terminal normally.</p>			
<b>Input disconnection detection</b>	Not supported.			


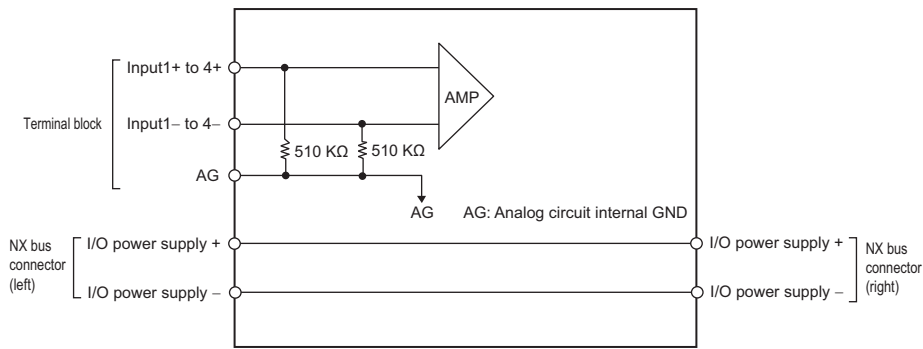
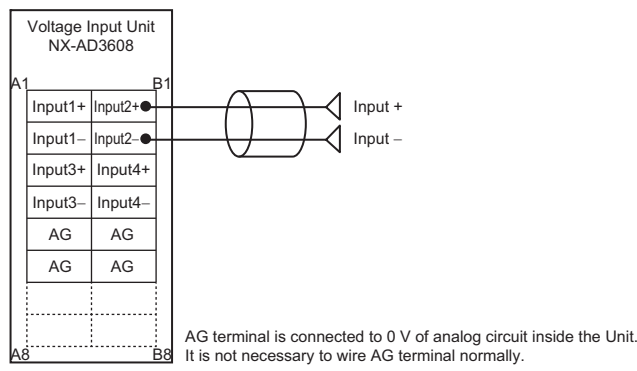
### Analog Input Unit (voltage input type) 4 points NX-AD3603

<b>Unit name</b>	Analog Input Unit (voltage input type)	<b>Model</b>	NX-AD3603	
<b>Number of points</b>	4 points	<b>External connection terminals</b>	Screwless clamping terminal block (12 terminals)	
<b>I/O refreshing method</b>	Free-Run refreshing			
<b>Indicator</b>		<b>Input method</b>	Single-ended input	
		<b>Input range</b>	-10 to +10 V	
		<b>Input conversion range</b>	-5 to 105% (full scale)	
		<b>Absolute maximum rating</b>	±15 V	
		<b>Input impedance</b>	1 MΩ min.	
		<b>Resolution</b>	1/8000 (full scale)	
		<b>Overall accuracy</b>	25°C	±0.2% (full scale)
			0 to 55°C	±0.4% (full scale)
<b>Conversion time</b>	250 μs/point			
<b>Dimensions</b>	12 (W) x 100 (H) x 71 (D)	<b>Isolation method</b>	Between the input and the NX bus: Power = Transformer, Signal = Digital isolator (no isolation between inputs)	
<b>Insulation resistance</b>	20 MΩ min. between isolated circuits (at 100 VDC)	<b>Dielectric strength</b>	510 VAC between isolated circuits for 1 minute at a leakage current of 5 mA max.	
<b>I/O power supply method</b>	Supply from the NX bus	<b>Current capacity of I/O power supply terminal</b>	IOV: 0.1 A/terminal max., IOG: 0.1 A/terminal max.	
<b>NX Unit power consumption</b>	<ul style="list-style-type: none"> <li>Connected to a CPU Unit or Communication Control Unit 1.35 W max.</li> <li>Connected to a Communications Coupler Unit 1.10 W max.</li> </ul>	<b>I/O current consumption</b>	No consumption	
<b>Weight</b>	70 g max.			
<b>Circuit layout</b>				
<b>Installation orientation and restrictions</b>	<p>Installation orientation:</p> <ul style="list-style-type: none"> <li>Connected to a CPU Unit or Communication Control Unit: Possible in upright installation.</li> <li>Connected to a Communications Coupler Unit: Possible in 6 orientations.</li> </ul> <p>Restrictions: No restrictions</p>			
<b>Terminal connection diagram</b>				
<b>Input disconnection detection</b>	Not supported.			

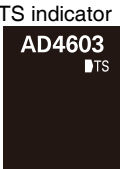
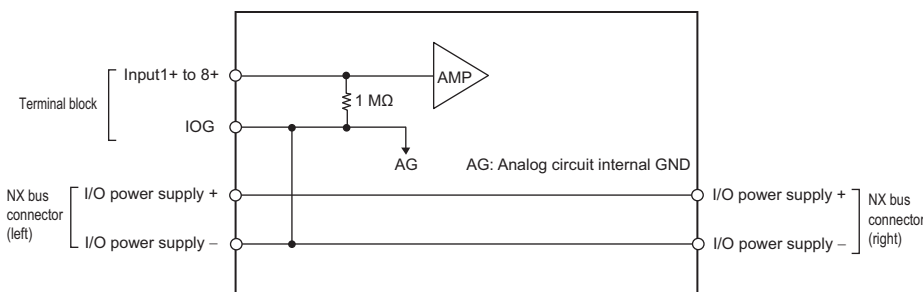
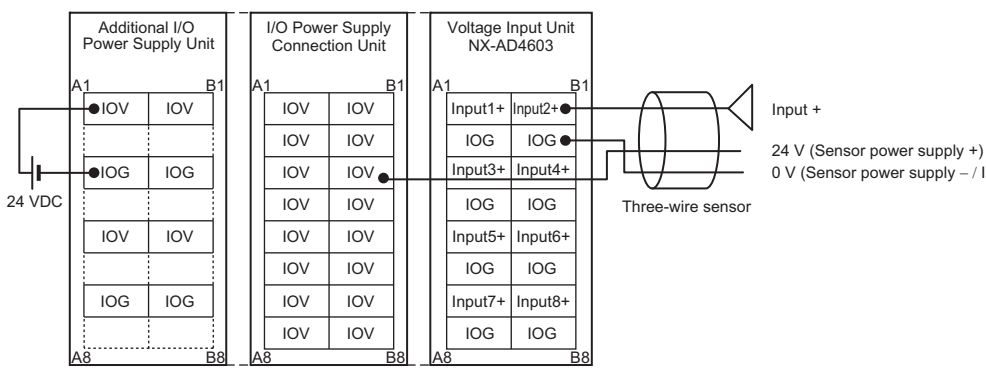
### Analog Input Unit (voltage input type) 4 points NX-AD3604

<b>Unit name</b>	Analog Input Unit (voltage input type)	<b>Model</b>	NX-AD3604				
<b>Number of points</b>	4 points	<b>External connection terminals</b>	Screwless clamping terminal block (12 terminals)				
<b>I/O refreshing method</b>	Free-Run refreshing						
<b>Indicator</b>		<b>Input method</b>	Differential Input				
		<b>Input range</b>	-10 to +10 V				
		<b>Input conversion range</b>	-5 to 105% (full scale)				
		<b>Absolute maximum rating</b>	±15 V				
		<b>Input impedance</b>	1 MΩ min.				
		<b>Resolution</b>	1/8000 (full scale)				
		<b>Overall accuracy</b>	<table border="1"> <tr> <td>25°C</td> <td>±0.2% (full scale)</td> </tr> <tr> <td>0 to 55°C</td> <td>±0.4% (full scale)</td> </tr> </table>	25°C	±0.2% (full scale)	0 to 55°C	±0.4% (full scale)
		25°C	±0.2% (full scale)				
0 to 55°C	±0.4% (full scale)						
<b>Conversion time</b>	250 μs/point						
<b>Dimensions</b>	12 (W) x 100 (H) x 71 (D)	<b>Isolation method</b>	Between the input and the NX bus: Power = Transformer, Signal = Digital isolator (no isolation between inputs)				
<b>Insulation resistance</b>	20 MΩ min. between isolated circuits (at 100 VDC)	<b>Dielectric strength</b>	510 VAC between isolated circuits for 1 minute at a leakage current of 5 mA max.				
<b>I/O power supply method</b>	No supply	<b>Current capacity of I/O power supply terminal</b>	Without I/O power supply terminals				
<b>NX Unit power consumption</b>	<ul style="list-style-type: none"> <li>Connected to a CPU Unit or Communication Control Unit 1.35 W max.</li> <li>Connected to a Communications Coupler Unit 1.10 W max.</li> </ul>	<b>I/O current consumption</b>	No consumption				
<b>Weight</b>	70 g max.						
<b>Circuit layout</b>							
<b>Installation orientation and restrictions</b>	<p>Installation orientation:</p> <ul style="list-style-type: none"> <li>Connected to a CPU Unit or Communication Control Unit: Possible in upright installation.</li> <li>Connected to a Communications Coupler Unit: Possible in 6 orientations.</li> </ul> <p>Restrictions: No restrictions</p>						
<b>Terminal connection diagram</b>	 <p>AG terminal is connected to 0 V of analog circuit inside the Unit. It is not necessary to wire AG terminal normally.</p>						
<b>Input disconnection detection</b>	Not supported.						


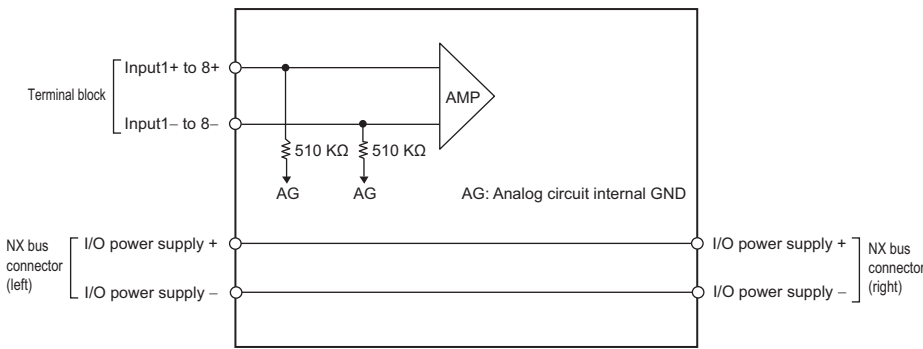
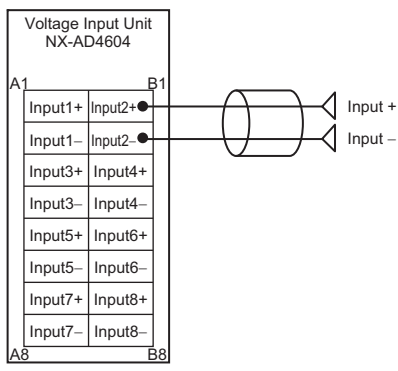
### Analog Input Unit (voltage input type) 4 points NX-AD3608

<b>Unit name</b>	Analog Input Unit (voltage input type)	<b>Model</b>	NX-AD3608	
<b>Number of points</b>	4 points	<b>External connection terminals</b>	Screwless clamping terminal block (12 terminals)	
<b>I/O refreshing method</b>	Selectable Synchronous I/O refreshing or Free-Run refreshing			
<b>Indicator</b>		<b>Input method</b>	Differential Input	
		<b>Input range</b>	-10 to +10 V	
		<b>Input conversion range</b>	-5 to 105% (full scale)	
		<b>Absolute maximum rating</b>	±15 V	
		<b>Input impedance</b>	1 MΩ min.	
		<b>Resolution</b>	1/30000 (full scale)	
		<b>Overall accuracy</b>	25°C	±0.1% (full scale)
			0 to 55°C	±0.2% (full scale)
<b>Conversion time</b>	10 μs/point			
<b>Dimensions</b>	12 (W) x 100 (H) x 71 (D)	<b>Isolation method</b>	Between the input and the NX bus: Power = Transformer, Signal = Digital isolator (no isolation between inputs)	
<b>Insulation resistance</b>	20 MΩ min. between isolated circuits (at 100 VDC)	<b>Dielectric strength</b>	510 VAC between isolated circuits for 1 minute at a leakage current of 5 mA max.	
<b>I/O power supply method</b>	No supply	<b>Current capacity of I/O power supply terminal</b>	Without I/O power supply terminals	
<b>NX Unit power consumption</b>	<ul style="list-style-type: none"> <li>Connected to a CPU Unit or Communication Control Unit 1.45 W max.</li> <li>Connected to a Communications Coupler Unit 1.10 W max.</li> </ul>	<b>I/O current consumption</b>	No consumption	
<b>Weight</b>	70 g max.			
<b>Circuit layout</b>				
<b>Installation orientation and restrictions</b>	<p>Installation orientation:</p> <ul style="list-style-type: none"> <li>Connected to a CPU Unit or Communication Control Unit: Possible in upright installation.</li> <li>Connected to a Communications Coupler Unit: Possible in 6 orientations.</li> </ul> <p>Restrictions: No restrictions</p>			
<b>Terminal connection diagram</b>	 <p>AG terminal is connected to 0 V of analog circuit inside the Unit. It is not necessary to wire AG terminal normally.</p>			
<b>Input disconnection detection</b>	Not supported.			

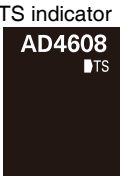
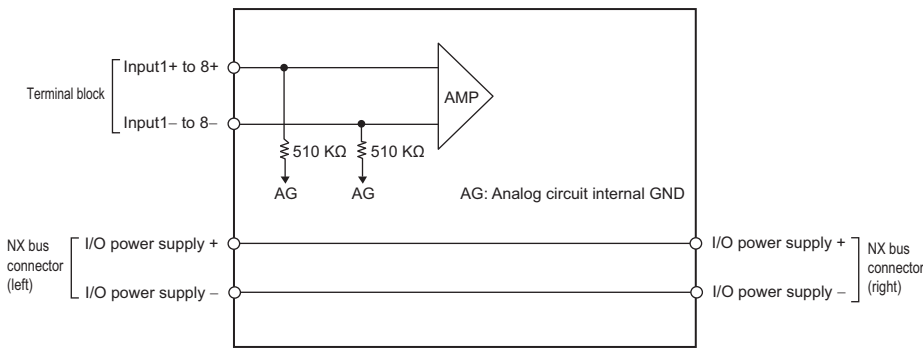
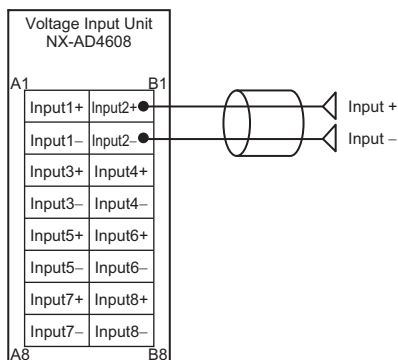
### Analog Input Unit (voltage input type) 8 points NX-AD4603

<b>Unit name</b>	Analog Input Unit (voltage input type)	<b>Model</b>	NX-AD4603	
<b>Number of points</b>	8 points	<b>External connection terminals</b>	Screwless clamping terminal block (16 terminals)	
<b>I/O refreshing method</b>	Free-Run refreshing			
<b>Indicator</b>		<b>Input method</b>	Single-ended input	
		<b>Input range</b>	-10 to +10 V	
		<b>Input conversion range</b>	-5 to 105% (full scale)	
		<b>Absolute maximum rating</b>	±15 V	
		<b>Input impedance</b>	1 MΩ min.	
		<b>Resolution</b>	1/8000 (full scale)	
		<b>Overall accuracy</b>	25°C	±0.2% (full scale)
			0 to 55°C	±0.4% (full scale)
<b>Conversion time</b>	250 μs/point			
<b>Dimensions</b>	12 (W) x 100 (H) x 71 (D)	<b>Isolation method</b>	Between the input and the NX bus: Power = Transformer, Signal = Digital isolator (no isolation between inputs)	
<b>Insulation resistance</b>	20 MΩ min. between isolated circuits (at 100 VDC)	<b>Dielectric strength</b>	510 VAC between isolated circuits for 1 minute at a leakage current of 5 mA max.	
<b>I/O power supply method</b>	Supply from the NX bus	<b>Current capacity of I/O power supply terminal</b>	I/OG: 0.1 A/terminal max.	
<b>NX Unit power consumption</b>	<ul style="list-style-type: none"> <li>Connected to a CPU Unit or Communication Control Unit 1.45 W max.</li> <li>Connected to a Communications Coupler Unit 1.15 W max.</li> </ul>	<b>I/O current consumption</b>	No consumption	
<b>Weight</b>	70 g max.			
<b>Circuit layout</b>				
<b>Installation orientation and restrictions</b>	<p>Installation orientation:</p> <ul style="list-style-type: none"> <li>Connected to a CPU Unit or Communication Control Unit: Possible in upright installation.</li> <li>Connected to a Communications Coupler Unit: Possible in 6 orientations.</li> </ul> <p>Restrictions: No restrictions</p>			
<b>Terminal connection diagram</b>				
<b>Input disconnection detection</b>	Not supported.			

### Analog Input Unit (voltage input type) 8 points NX-AD4604


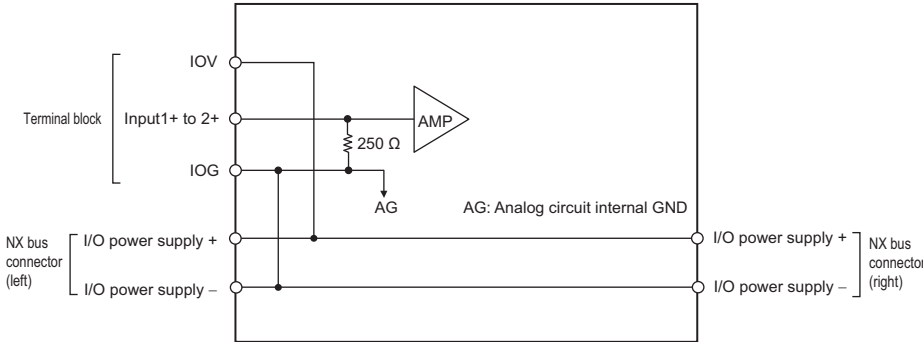
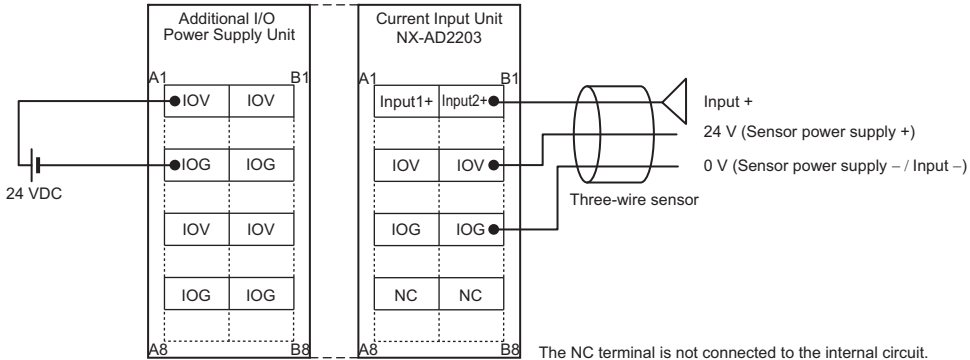
<b>Unit name</b>	Analog Input Unit (voltage input type)	<b>Model</b>	NX-AD4604				
<b>Number of points</b>	8 points	<b>External connection terminals</b>	Screwless clamping terminal block (16 terminals)				
<b>I/O refreshing method</b>	Free-Run refreshing						
<b>Indicator</b>	<p>TS indicator</p> 	<b>Input method</b>	Differential Input				
		<b>Input range</b>	-10 to +10 V				
		<b>Input conversion range</b>	-5 to 105% (full scale)				
		<b>Absolute maximum rating</b>	±15 V				
		<b>Input impedance</b>	1 MΩ min.				
		<b>Resolution</b>	1/8000 (full scale)				
		<b>Overall accuracy</b>	<table border="1"> <tr> <td>25°C</td> <td>±0.2% (full scale)</td> </tr> <tr> <td>0 to 55°C</td> <td>±0.4% (full scale)</td> </tr> </table>	25°C	±0.2% (full scale)	0 to 55°C	±0.4% (full scale)
		25°C	±0.2% (full scale)				
0 to 55°C	±0.4% (full scale)						
<b>Conversion time</b>	250 μs/point						
<b>Dimensions</b>	12 (W) x 100 (H) x 71 (D)	<b>Isolation method</b>	Between the input and the NX bus: Power = Transformer, Signal = Digital isolator (no isolation between inputs)				
<b>Insulation resistance</b>	20 MΩ min. between isolated circuits (at 100 VDC)	<b>Dielectric strength</b>	510 VAC between isolated circuits for 1 minute at a leakage current of 5 mA max.				
<b>I/O power supply method</b>	No supply	<b>Current capacity of I/O power supply terminal</b>	Without I/O power supply terminals				
<b>NX Unit power consumption</b>	<ul style="list-style-type: none"> <li>Connected to a CPU Unit or Communication Control Unit 1.45 W max.</li> <li>Connected to a Communications Coupler Unit 1.15 W max.</li> </ul>	<b>I/O current consumption</b>	No consumption				
<b>Weight</b>	70 g max.						
<b>Circuit layout</b>							
<b>Installation orientation and restrictions</b>	<p>Installation orientation:</p> <ul style="list-style-type: none"> <li>Connected to a CPU Unit or Communication Control Unit: Possible in upright installation.</li> <li>Connected to a Communications Coupler Unit: Possible in 6 orientations.</li> </ul> <p>Restrictions: No restrictions</p>						
<b>Terminal connection diagram</b>							
<b>Input disconnection detection</b>	Not supported.						

### Analog Input Unit (voltage input type) 8 points NX-AD4608


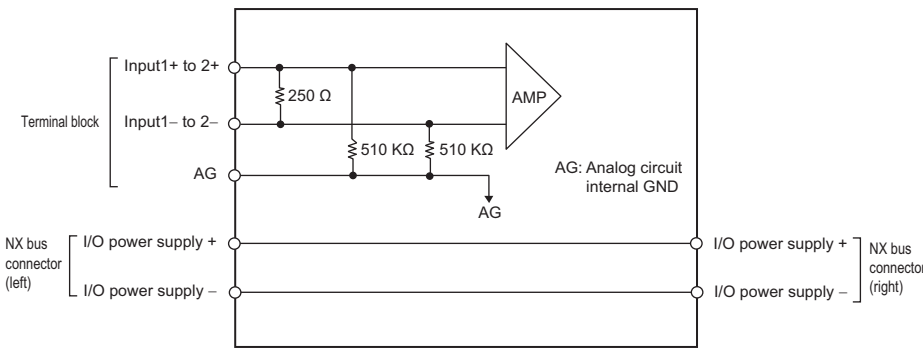
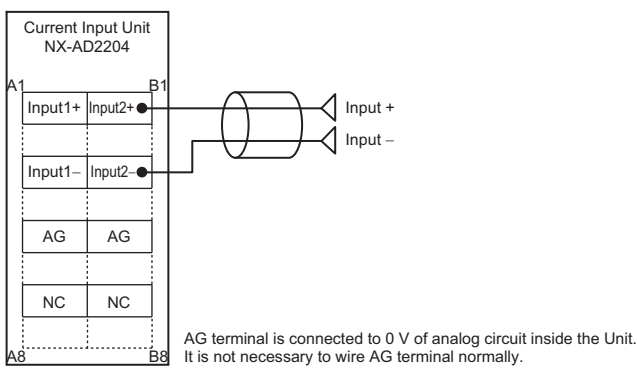
<b>Unit name</b>	Analog Input Unit (voltage input type)	<b>Model</b>	NX-AD4608				
<b>Number of points</b>	8 points	<b>External connection terminals</b>	Screwless clamping terminal block (16 terminals)				
<b>I/O refreshing method</b>	Selectable Synchronous I/O refreshing or Free-Run refreshing						
<b>Indicator</b>		<b>Input method</b>	Differential Input				
		<b>Input range</b>	-10 to +10 V				
		<b>Input conversion range</b>	-5 to 105% (full scale)				
		<b>Absolute maximum rating</b>	±15 V				
		<b>Input impedance</b>	1 MΩ min.				
		<b>Resolution</b>	1/30000 (full scale)				
		<b>Overall accuracy</b>	<table border="1"> <tr> <td>25°C</td> <td>±0.1% (full scale)</td> </tr> <tr> <td>0 to 55°C</td> <td>±0.2% (full scale)</td> </tr> </table>	25°C	±0.1% (full scale)	0 to 55°C	±0.2% (full scale)
		25°C	±0.1% (full scale)				
0 to 55°C	±0.2% (full scale)						
<b>Conversion time</b>	10 μs/point						
<b>Dimensions</b>	12 (W) x 100 (H) x 71 (D)	<b>Isolation method</b>	Between the input and the NX bus: Power = Transformer, Signal = Digital isolator (no isolation between inputs)				
<b>Insulation resistance</b>	20 MΩ min. between isolated circuits (at 100 VDC)	<b>Dielectric strength</b>	510 VAC between isolated circuits for 1 minute at a leakage current of 5 mA max.				
<b>I/O power supply method</b>	No supply	<b>Current capacity of I/O power supply terminal</b>	Without I/O power supply terminals				
<b>NX Unit power consumption</b>	<ul style="list-style-type: none"> <li>Connected to a CPU Unit or Communication Control Unit 1.45 W max.</li> <li>Connected to a Communications Coupler Unit 1.15 W max.</li> </ul>	<b>I/O current consumption</b>	No consumption				
<b>Weight</b>	70 g max.						
<b>Circuit layout</b>							
<b>Installation orientation and restrictions</b>	<p>Installation orientation:</p> <ul style="list-style-type: none"> <li>Connected to a CPU Unit or Communication Control Unit: Possible in upright installation.</li> <li>Connected to a Communications Coupler Unit: Possible in 6 orientations.</li> </ul> <p>Restrictions: No restrictions</p>						
<b>Terminal connection diagram</b>							
<b>Input disconnection detection</b>	Not supported.						




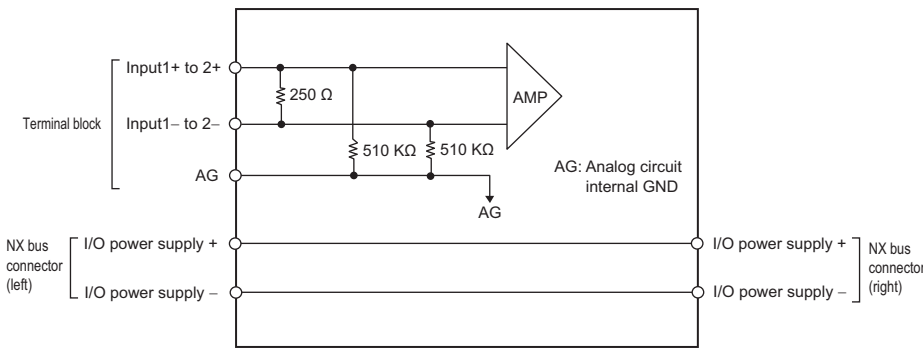
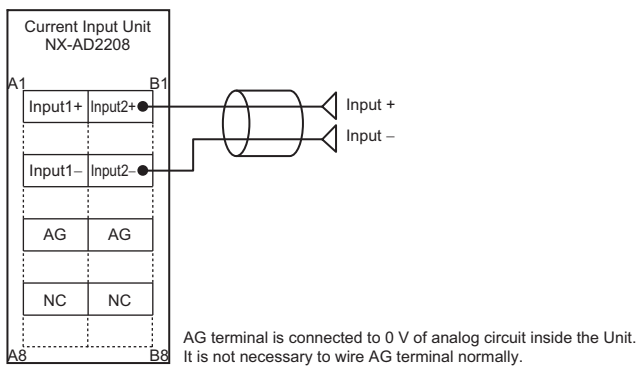
### Analog Input Unit (current input type) 2 points NX-AD2203

<b>Unit name</b>	Analog Input Unit (current input type)	<b>Model</b>	NX-AD2203				
<b>Number of points</b>	2 points	<b>External connection terminals</b>	Screwless clamping terminal block (8 terminals)				
<b>I/O refreshing method</b>	Free-Run refreshing						
<b>Indicator</b>		<b>Input method</b>	Single-ended input				
		<b>Input range</b>	4 to 20 mA				
		<b>Input conversion range</b>	-5 to 105% (full scale)				
		<b>Absolute maximum rating</b>	±30 mA				
		<b>Input impedance</b>	250 Ω				
		<b>Resolution</b>	1/8000 (full scale)				
		<b>Overall accuracy</b>	<table border="1"> <tr> <td>25°C</td> <td>±0.2% (full scale)</td> </tr> <tr> <td>0 to 55°C</td> <td>±0.4% (full scale)</td> </tr> </table>	25°C	±0.2% (full scale)	0 to 55°C	±0.4% (full scale)
		25°C	±0.2% (full scale)				
0 to 55°C	±0.4% (full scale)						
<b>Conversion time</b>	250 μs/point						
<b>Dimensions</b>	12 (W) x 100 (H) x 71 (D)	<b>Isolation method</b>	Between the input and the NX bus: Power = Transformer, Signal = Digital isolator (no isolation between inputs)				
<b>Insulation resistance</b>	20 MΩ min. between isolated circuits (at 100 VDC)	<b>Dielectric strength</b>	510 VAC between isolated circuits for 1 minute at a leakage current of 5 mA max.				
<b>I/O power supply method</b>	Supply from the NX bus	<b>Current capacity of I/O power supply terminal</b>	IOV: 0.1 A/terminal max., IOG: 0.1 A/terminal max.				
<b>NX Unit power consumption</b>	<ul style="list-style-type: none"> <li>Connected to a CPU Unit or Communication Control Unit 1.25 W max.</li> <li>Connected to a Communications Coupler Unit 0.90 W max.</li> </ul>	<b>I/O current consumption</b>	No consumption				
<b>Weight</b>	70 g max.						
<b>Circuit layout</b>							
<b>Installation orientation and restrictions</b>	<p>Installation orientation:</p> <ul style="list-style-type: none"> <li>Connected to a CPU Unit or Communication Control Unit: Possible in upright installation.</li> <li>Connected to a Communications Coupler Unit: Possible in 6 orientations.</li> </ul> <p>Restrictions: No restrictions</p>						
<b>Terminal connection diagram</b>	 <p>The NC terminal is not connected to the internal circuit.</p>						
<b>Input disconnection detection</b>	Supported.						


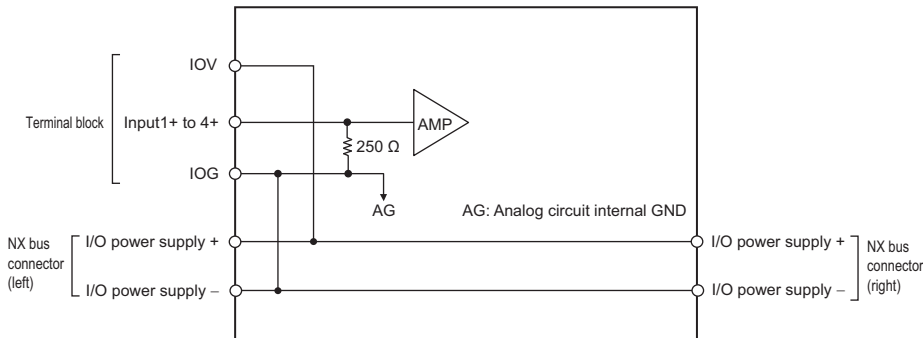
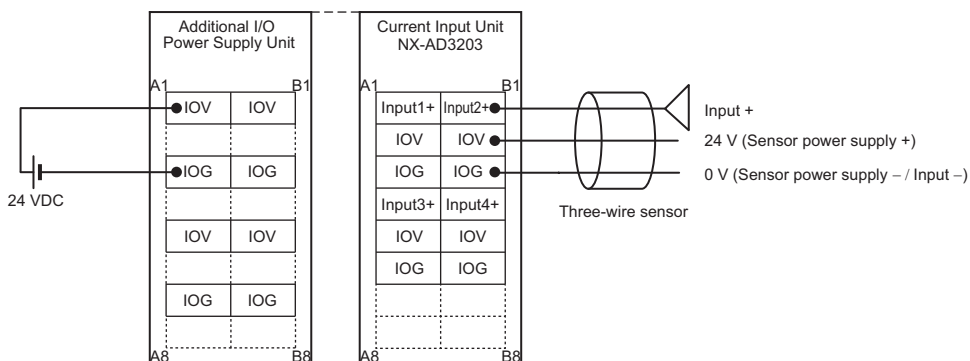
### Analog Input Unit (current input type) 2 points NX-AD2204

<b>Unit name</b>	Analog Input Unit (current input type)	<b>Model</b>	NX-AD2204	
<b>Number of points</b>	2 points	<b>External connection terminals</b>	Screwless clamping terminal block (8 terminals)	
<b>I/O refreshing method</b>	Free-Run refreshing			
<b>Indicator</b>	TS indicator 	<b>Input method</b>	Differential Input	
		<b>Input range</b>	4 to 20 mA	
		<b>Input conversion range</b>	-5 to 105% (full scale)	
		<b>Absolute maximum rating</b>	±30 mA	
		<b>Input impedance</b>	250 Ω	
		<b>Resolution</b>	1/8000 (full scale)	
		<b>Overall accuracy</b>	25°C	±0.2% (full scale)
			0 to 55°C	±0.4% (full scale)
<b>Conversion time</b>	250 μs/point			
<b>Dimensions</b>	12 (W) x 100 (H) x 71 (D)	<b>Isolation method</b>	Between the input and the NX bus: Power = Transformer, Signal = Digital isolator (no isolation between inputs)	
<b>Insulation resistance</b>	20 MΩ min. between isolated circuits (at 100 VDC)	<b>Dielectric strength</b>	510 VAC between isolated circuits for 1 minute at a leakage current of 5 mA max.	
<b>I/O power supply method</b>	No supply	<b>Current capacity of I/O power supply terminal</b>	Without I/O power supply terminals	
<b>NX Unit power consumption</b>	<ul style="list-style-type: none"> <li>Connected to a CPU Unit or Communication Control Unit 1.25 W max.</li> <li>Connected to a Communications Coupler Unit 0.90 W max.</li> </ul>	<b>I/O current consumption</b>	No consumption	
<b>Weight</b>	70 g max.			
<b>Circuit layout</b>				
<b>Installation orientation and restrictions</b>	Installation orientation: <ul style="list-style-type: none"> <li>Connected to a CPU Unit or Communication Control Unit: Possible in upright installation.</li> <li>Connected to a Communications Coupler Unit: Possible in 6 orientations.</li> </ul> Restrictions: No restrictions			
<b>Terminal connection diagram</b>	 <p>AG terminal is connected to 0 V of analog circuit inside the Unit. It is not necessary to wire AG terminal normally.</p>			
<b>Input disconnection detection</b>	Supported.			


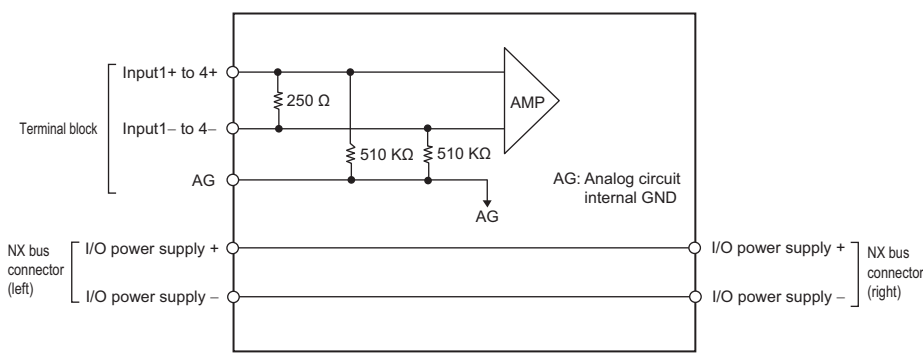
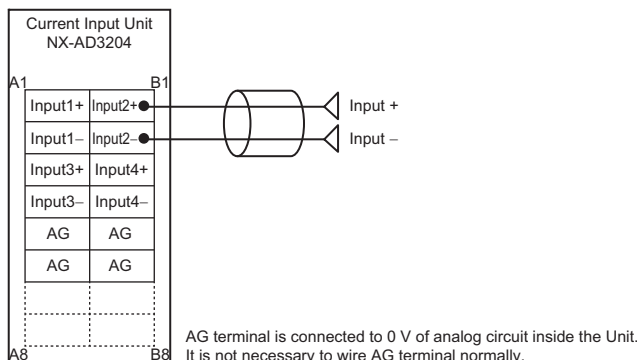
### Analog Input Unit (current input type) 2 points NX-AD2208

<b>Unit name</b>	Analog Input Unit (current input type)	<b>Model</b>	NX-AD2208	
<b>Number of points</b>	2 points	<b>External connection terminals</b>	Screwless clamping terminal block (8 terminals)	
<b>I/O refreshing method</b>	Selectable Synchronous I/O refreshing or Free-Run refreshing			
<b>Indicator</b>		<b>Input method</b>	Differential Input	
		<b>Input range</b>	4 to 20 mA	
		<b>Input conversion range</b>	-5 to 105% (full scale)	
		<b>Absolute maximum rating</b>	±30 mA	
		<b>Input impedance</b>	250 Ω	
		<b>Resolution</b>	1/30000 (full scale)	
		<b>Overall accuracy</b>	25°C	±0.1% (full scale)
			0 to 55°C	±0.2% (full scale)
<b>Conversion time</b>	10 μs/point			
<b>Dimensions</b>	12 (W) x 100 (H) x 71 (D)	<b>Isolation method</b>	Between the input and the NX bus: Power = Transformer, Signal = Digital isolator (no isolation between inputs)	
<b>Insulation resistance</b>	20 MΩ min. between isolated circuits (at 100 VDC)	<b>Dielectric strength</b>	510 VAC between isolated circuits for 1 minute at a leakage current of 5 mA max.	
<b>I/O power supply method</b>	No supply	<b>Current capacity of I/O power supply terminal</b>	Without I/O power supply terminals	
<b>NX Unit power consumption</b>	<ul style="list-style-type: none"> <li>Connected to a CPU Unit or Communication Control Unit 1.25 W max.</li> <li>Connected to a Communications Coupler Unit 0.90 W max.</li> </ul>	<b>I/O current consumption</b>	No consumption	
<b>Weight</b>	70 g max.			
<b>Circuit layout</b>				
<b>Installation orientation and restrictions</b>	<p>Installation orientation:</p> <ul style="list-style-type: none"> <li>Connected to a CPU Unit or Communication Control Unit: Possible in upright installation.</li> <li>Connected to a Communications Coupler Unit: Possible in 6 orientations.</li> </ul> <p>Restrictions: No restrictions</p>			
<b>Terminal connection diagram</b>				
<b>Input disconnection detection</b>	Supported.			

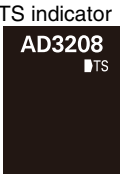
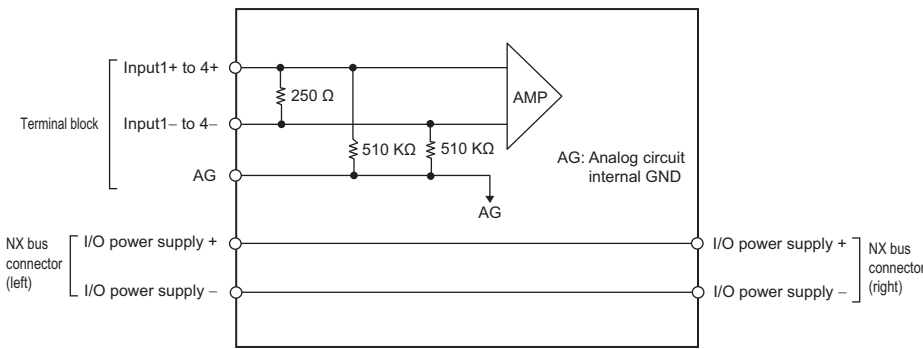
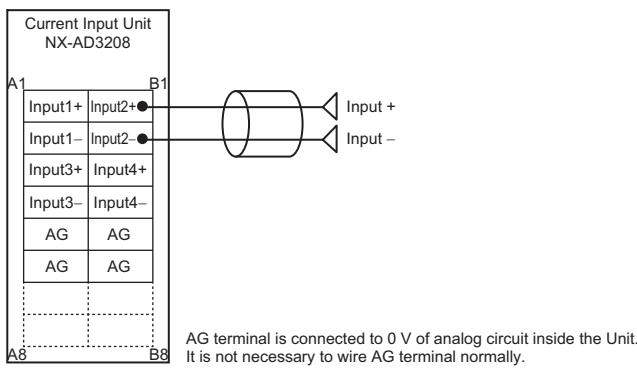
### Analog Input Unit (current input type) 4 points NX-AD3203

<b>Unit name</b>	Analog Input Unit (current input type)	<b>Model</b>	NX-AD3203	
<b>Number of points</b>	4 points	<b>External connection terminals</b>	Screwless clamping terminal block (12 terminals)	
<b>I/O refreshing method</b>	Free-Run refreshing			
<b>Indicator</b>	<p>TS indicator</p> 	<b>Input method</b>	Single-ended input	
		<b>Input range</b>	4 to 20 mA	
		<b>Input conversion range</b>	-5 to 105% (full scale)	
		<b>Absolute maximum rating</b>	±30 mA	
		<b>Input impedance</b>	250 Ω	
		<b>Resolution</b>	1/8000 (full scale)	
		<b>Overall accuracy</b>	25°C	±0.2% (full scale)
			0 to 55°C	±0.4% (full scale)
<b>Conversion time</b>	250 μs/point			
<b>Dimensions</b>	12 (W) x 100 (H) x 71 (D)	<b>Isolation method</b>	Between the input and the NX bus: Power = Transformer, Signal = Digital isolator (no isolation between inputs)	
<b>Insulation resistance</b>	20 MΩ min. between isolated circuits (at 100 VDC)	<b>Dielectric strength</b>	510 VAC between isolated circuits for 1 minute at a leakage current of 5 mA max.	
<b>I/O power supply method</b>	Supply from the NX bus	<b>Current capacity of I/O power supply terminal</b>	IOV: 0.1 A/terminal max., IOG: 0.1 A/terminal max.	
<b>NX Unit power consumption</b>	<ul style="list-style-type: none"> <li>Connected to a CPU Unit or Communication Control Unit 1.25 W max.</li> <li>Connected to a Communications Coupler Unit 0.90 W max.</li> </ul>	<b>I/O current consumption</b>	No consumption	
<b>Weight</b>	70 g max.			
<b>Circuit layout</b>				
<b>Installation orientation and restrictions</b>	<p>Installation orientation:</p> <ul style="list-style-type: none"> <li>Connected to a CPU Unit or Communication Control Unit: Possible in upright installation.</li> <li>Connected to a Communications Coupler Unit: Possible in 6 orientations.</li> </ul> <p>Restrictions: No restrictions</p>			
<b>Terminal connection diagram</b>				
<b>Input disconnection detection</b>	Supported.			

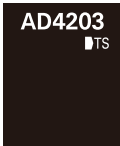
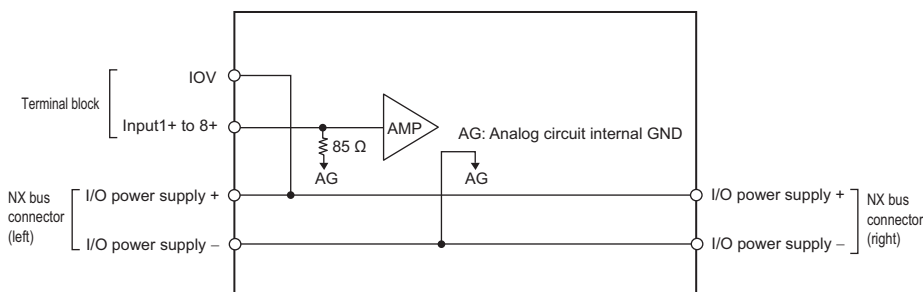
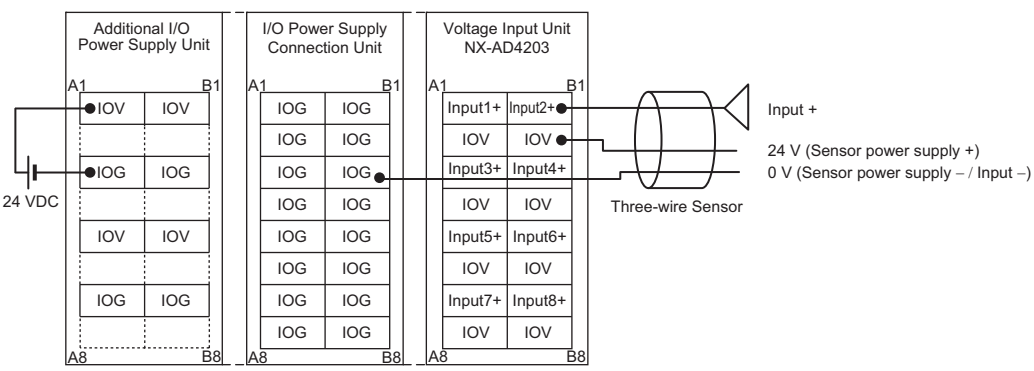
### Analog Input Unit (current input type) 4 points NX-AD3204

<b>Unit name</b>	Analog Input Unit (current input type)	<b>Model</b>	NX-AD3204	
<b>Number of points</b>	4 points	<b>External connection terminals</b>	Screwless clamping terminal block (12 terminals)	
<b>I/O refreshing method</b>	Free-Run refreshing			
<b>Indicator</b>	TS indicator 	<b>Input method</b>	Differential Input	
		<b>Input range</b>	4 to 20 mA	
		<b>Input conversion range</b>	-5 to 105% (full scale)	
		<b>Absolute maximum rating</b>	±30 mA	
		<b>Input impedance</b>	250 Ω	
		<b>Resolution</b>	1/8000 (full scale)	
		<b>Overall accuracy</b>	25°C	±0.2% (full scale)
			0 to 55°C	±0.4% (full scale)
<b>Conversion time</b>	250 μs/point			
<b>Dimensions</b>	12 (W) x 100 (H) x 71 (D)	<b>Isolation method</b>	Between the input and the NX bus: Power = Transformer, Signal = Digital isolator (no isolation between inputs)	
<b>Insulation resistance</b>	20 MΩ min. between isolated circuits (at 100 VDC)	<b>Dielectric strength</b>	510 VAC between isolated circuits for 1 minute at a leakage current of 5 mA max.	
<b>I/O power supply method</b>	No supply	<b>Current capacity of I/O power supply terminal</b>	Without I/O power supply terminals	
<b>NX Unit power consumption</b>	<ul style="list-style-type: none"> <li>Connected to a CPU Unit or Communication Control Unit 1.25 W max.</li> <li>Connected to a Communications Coupler Unit 0.90 W max.</li> </ul>	<b>I/O current consumption</b>	No consumption	
<b>Weight</b>	70 g max.			
<b>Circuit layout</b>				
<b>Installation orientation and restrictions</b>	Installation orientation: <ul style="list-style-type: none"> <li>Connected to a CPU Unit or Communication Control Unit: Possible in upright installation.</li> <li>Connected to a Communications Coupler Unit: Possible in 6 orientations.</li> </ul> Restrictions: No restrictions			
<b>Terminal connection diagram</b>	 <p>AG terminal is connected to 0 V of analog circuit inside the Unit. It is not necessary to wire AG terminal normally.</p>			
<b>Input disconnection detection</b>	Supported.			


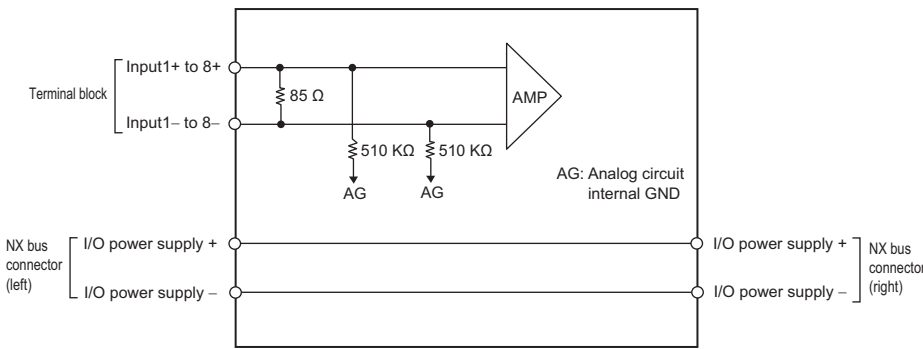
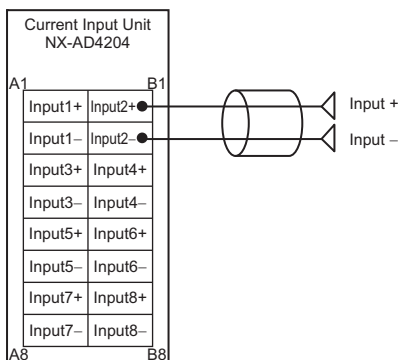
### Analog Input Unit (current input type) 4 points NX-AD3208

<b>Unit name</b>	Analog Input Unit (current input type)	<b>Model</b>	NX-AD3208				
<b>Number of points</b>	4 points	<b>External connection terminals</b>	Screwless clamping terminal block (12 terminals)				
<b>I/O refreshing method</b>	Selectable Synchronous I/O refreshing or Free-Run refreshing						
<b>Indicator</b>		<b>Input method</b>	Differential Input				
		<b>Input range</b>	4 to 20 mA				
		<b>Input conversion range</b>	-5 to 105% (full scale)				
		<b>Absolute maximum rating</b>	±30 mA				
		<b>Input impedance</b>	250 Ω				
		<b>Resolution</b>	1/30000 (full scale)				
		<b>Overall accuracy</b>	<table border="1"> <tr> <td>25°C</td> <td>±0.1% (full scale)</td> </tr> <tr> <td>0 to 55°C</td> <td>±0.2% (full scale)</td> </tr> </table>	25°C	±0.1% (full scale)	0 to 55°C	±0.2% (full scale)
		25°C	±0.1% (full scale)				
0 to 55°C	±0.2% (full scale)						
<b>Conversion time</b>	10 μs/point						
<b>Dimensions</b>	12 (W) x 100 (H) x 71 (D)	<b>Isolation method</b>	Between the input and the NX bus: Power = Transformer, Signal = Digital isolator (no isolation between inputs)				
<b>Insulation resistance</b>	20 MΩ min. between isolated circuits (at 100 VDC)	<b>Dielectric strength</b>	510 VAC between isolated circuits for 1 minute at a leakage current of 5 mA max.				
<b>I/O power supply method</b>	No supply	<b>Current capacity of I/O power supply terminal</b>	Without I/O power supply terminals				
<b>NX Unit power consumption</b>	<ul style="list-style-type: none"> <li>Connected to a CPU Unit or Communication Control Unit 1.30 W max.</li> <li>Connected to a Communications Coupler Unit 0.95 W max.</li> </ul>	<b>I/O current consumption</b>	No consumption				
<b>Weight</b>	70 g max.						
<b>Circuit layout</b>							
<b>Installation orientation and restrictions</b>	<p>Installation orientation:</p> <ul style="list-style-type: none"> <li>Connected to a CPU Unit or Communication Control Unit: Possible in upright installation.</li> <li>Connected to a Communications Coupler Unit: Possible in 6 orientations.</li> </ul> <p>Restrictions: No restrictions</p>						
<b>Terminal connection diagram</b>	 <p>AG terminal is connected to 0 V of analog circuit inside the Unit. It is not necessary to wire AG terminal normally.</p>						
<b>Input disconnection detection</b>	Supported.						

### Analog Input Unit (current input type) 8 points NX-AD4203


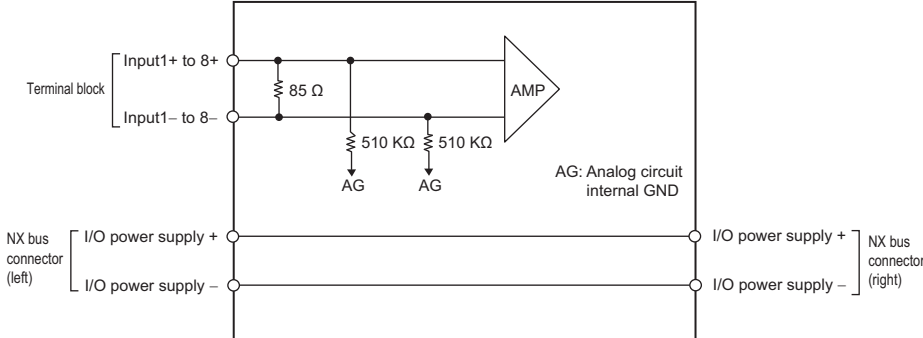
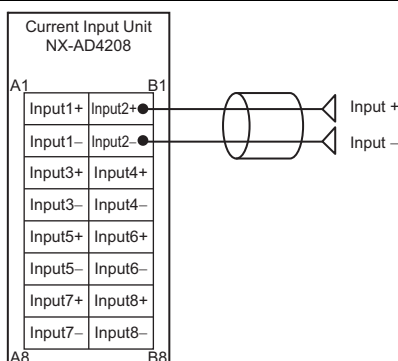
<b>Unit name</b>	Analog Input Unit (current input type)	<b>Model</b>	NX-AD4203				
<b>Number of points</b>	8 points	<b>External connection terminals</b>	Screwless clamping terminal block (16 terminals)				
<b>I/O refreshing method</b>	Free-Run refreshing						
<b>Indicator</b>		<b>Input method</b>	Single-ended input				
		<b>Input range</b>	4 to 20 mA				
		<b>Input conversion range</b>	-5 to 105% (full scale)				
		<b>Absolute maximum rating</b>	±30 mA				
		<b>Input impedance</b>	85 Ω				
		<b>Resolution</b>	1/8000 (full scale)				
		<b>Overall accuracy</b>	<table border="0"> <tr> <td>25°C</td> <td>±0.2% (full scale)</td> </tr> <tr> <td>0 to 55°C</td> <td>±0.4% (full scale)</td> </tr> </table>	25°C	±0.2% (full scale)	0 to 55°C	±0.4% (full scale)
		25°C	±0.2% (full scale)				
0 to 55°C	±0.4% (full scale)						
<b>Conversion time</b>	250 μs/point						
<b>Dimensions</b>	12 (W) x 100 (H) x 71 (D)	<b>Isolation method</b>	Between the input and the NX bus: Power = Transformer, Signal = Digital isolator (no isolation between inputs)				
<b>Insulation resistance</b>	20 MΩ min. between isolated circuits (at 100 VDC)	<b>Dielectric strength</b>	510 VAC between isolated circuits for 1 minute at a leakage current of 5 mA max.				
<b>I/O power supply method</b>	Supply from the NX bus	<b>Current capacity of I/O power supply terminal</b>	IOV: 0.1 A/terminal max.				
<b>NX Unit power consumption</b>	<ul style="list-style-type: none"> <li>Connected to a CPU Unit or Communication Control Unit 1.40 W max.</li> <li>Connected to a Communications Coupler Unit 1.05 W max.</li> </ul>	<b>I/O current consumption</b>	No consumption				
<b>Weight</b>	70 g max.						
<b>Circuit layout</b>							
<b>Installation orientation and restrictions</b>	<p>Installation orientation:</p> <ul style="list-style-type: none"> <li>Connected to a CPU Unit or Communication Control Unit: Possible in upright installation.</li> <li>Connected to a Communications Coupler Unit: Possible in 6 orientations.</li> </ul> <p>Restrictions: No restrictions</p>						
<b>Terminal connection diagram</b>							
<b>Input disconnection detection</b>	Supported.						

### Analog Input Unit (current input type) 8 points NX-AD4204

<b>Unit name</b>	Analog Input Unit (current input type)	<b>Model</b>	NX-AD4204	
<b>Number of points</b>	8 points	<b>External connection terminals</b>	Screwless clamping terminal block (16 terminals)	
<b>I/O refreshing method</b>	Free-Run refreshing			
<b>Indicator</b>		<b>Input method</b>	Differential Input	
		<b>Input range</b>	4 to 20 mA	
		<b>Input conversion range</b>	-5 to 105% (full scale)	
		<b>Absolute maximum rating</b>	±30 mA	
		<b>Input impedance</b>	85 Ω	
		<b>Resolution</b>	1/8000 (full scale)	
		<b>Overall accuracy</b>	25°C	±0.2% (full scale)
			0 to 55°C	±0.4% (full scale)
<b>Conversion time</b>	250 μs/point			
<b>Dimensions</b>	12 (W) x 100 (H) x 71 (D)	<b>Isolation method</b>	Between the input and the NX bus: Power = Transformer, Signal = Digital isolator (no isolation between inputs)	
<b>Insulation resistance</b>	20 MΩ min. between isolated circuits (at 100 VDC)	<b>Dielectric strength</b>	510 VAC between isolated circuits for 1 minute at a leakage current of 5 mA max.	
<b>I/O power supply method</b>	No supply	<b>Current capacity of I/O power supply terminal</b>	Without I/O power supply terminals	
<b>NX Unit power consumption</b>	<ul style="list-style-type: none"> <li>Connected to a CPU Unit or Communication Control Unit 1.40 W max.</li> <li>Connected to a Communications Coupler Unit 1.05 W max.</li> </ul>	<b>I/O current consumption</b>	No consumption	
<b>Weight</b>	70 g max.			
<b>Circuit layout</b>				
<b>Installation orientation and restrictions</b>	<p>Installation orientation:</p> <ul style="list-style-type: none"> <li>Connected to a CPU Unit or Communication Control Unit: Possible in upright installation.</li> <li>Connected to a Communications Coupler Unit: Possible in 6 orientations.</li> </ul> <p>Restrictions: No restrictions</p>			
<b>Terminal connection diagram</b>				
<b>Input disconnection detection</b>	Supported.			




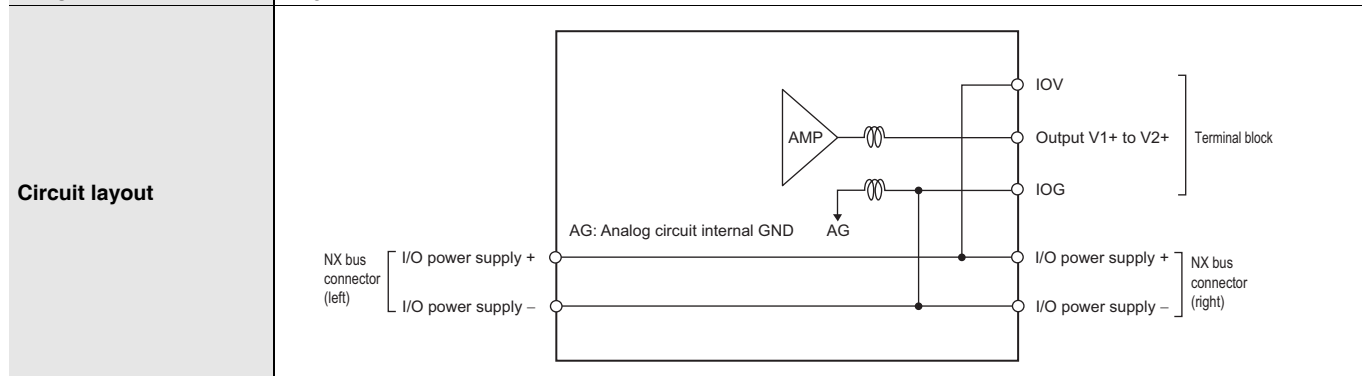
## Analog Input Unit (current input type) 8 points NX-AD4208

<b>Unit name</b>	Analog Input Unit (current input type)	<b>Model</b>	NX-AD4208	
<b>Number of points</b>	8 points	<b>External connection terminals</b>	Screwless clamping terminal block (16 terminals)	
<b>I/O refreshing method</b>	Selectable Synchronous I/O refreshing or Free-Run refreshing			
<b>Indicator</b>	TS indicator 	<b>Input method</b>	Differential Input	
		<b>Input range</b>	4 to 20 mA	
		<b>Input conversion range</b>	-5 to 105% (full scale)	
		<b>Absolute maximum rating</b>	±30 mA	
		<b>Input impedance</b>	85 Ω	
		<b>Resolution</b>	1/30000 (full scale)	
		<b>Overall accuracy</b>	25°C	±0.1% (full scale)
			0 to 55°C	±0.2% (full scale)
<b>Conversion time</b>	10 μs/point			
<b>Dimensions</b>	12 (W) x 100 (H) x 71 (D)	<b>Isolation method</b>	Between the input and the NX bus: Power = Transformer, Signal = Digital isolator (no isolation between inputs)	
<b>Insulation resistance</b>	20 MΩ min. between isolated circuits (at 100 VDC)	<b>Dielectric strength</b>	510 VAC between isolated circuits for 1 minute at a leakage current of 5 mA max.	
<b>I/O power supply method</b>	No supply	<b>Current capacity of I/O power supply terminal</b>	Without I/O power supply terminals	
<b>NX Unit power consumption</b>	<ul style="list-style-type: none"> <li>Connected to a CPU Unit or Communication Control Unit 1.45 W max.</li> <li>Connected to a Communications Coupler Unit 1.10 W max.</li> </ul>	<b>I/O current consumption</b>	No consumption	
<b>Weight</b>	70 g max.			
<b>Circuit layout</b>				
<b>Installation orientation and restrictions</b>	Installation orientation: <ul style="list-style-type: none"> <li>Connected to a CPU Unit or Communication Control Unit: Possible in upright installation.</li> <li>Connected to a Communications Coupler Unit: Possible in 6 orientations.</li> </ul> Restrictions: No restrictions			
<b>Terminal connection diagram</b>				
<b>Input disconnection detection</b>	Supported.			

# Analog Output Unit Specifications

## Analog Output Unit (voltage output type) 2 points NX-DA2603

<b>Unit name</b>	Analog Output Unit (voltage output type)	<b>Model</b>	NX-DA2603	
<b>Number of points</b>	2 points	<b>External connection terminals</b>	Screwless clamping terminal block (8 terminals)	
<b>I/O refreshing method</b>	Free-Run refreshing			
<b>Indicator</b>	TS indicator 	<b>Output range</b>	-10 to +10 V	
		<b>Output conversion range</b>	-5 to 105% (full scale)	
		<b>Allowable load resistance</b>	5 kΩ min.	
		<b>Output impedance</b>	0.5 Ω max.	
		<b>Resolution</b>	1/8000 (full scale)	
		<b>Overall accuracy</b>	25°C	±0.3% (full scale)
			0 to 55°C	±0.5% (full scale)
<b>Conversion time</b>	250 μs/point			
<b>Dimensions</b>	12 (W) x 100 (H) x 71 (D)	<b>Isolation method</b>	Between the input and the NX bus: Power = Transformer, Signal = Digital isolator (no isolation between inputs)	
<b>Insulation resistance</b>	20 MΩ min. between isolated circuits (at 100 VDC)	<b>Dielectric strength</b>	510 VAC between isolated circuits for 1 minute at a leakage current of 5 mA max.	
<b>I/O power supply method</b>	Supply from the NX bus	<b>Current capacity of I/O power supply terminal</b>	IOV: 0.1 A/terminal max., IOG: 0.1 A/terminal max.	
<b>NX Unit power consumption</b>	<ul style="list-style-type: none"> <li>Connected to a CPU Unit or Communication Control Unit 1.40 W max.</li> <li>Connected to a Communications Coupler Unit 1.10 W max.</li> </ul>	<b>I/O current consumption</b>	No consumption	
<b>Weight</b>	70 g max.			

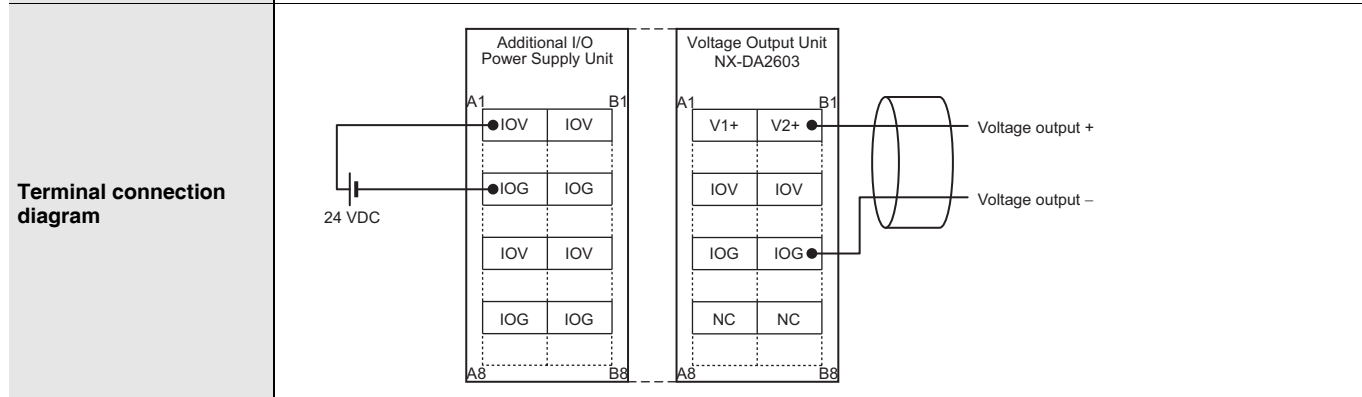


**Installation orientation and restrictions**

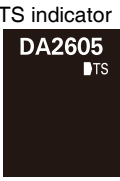
Installation orientation:

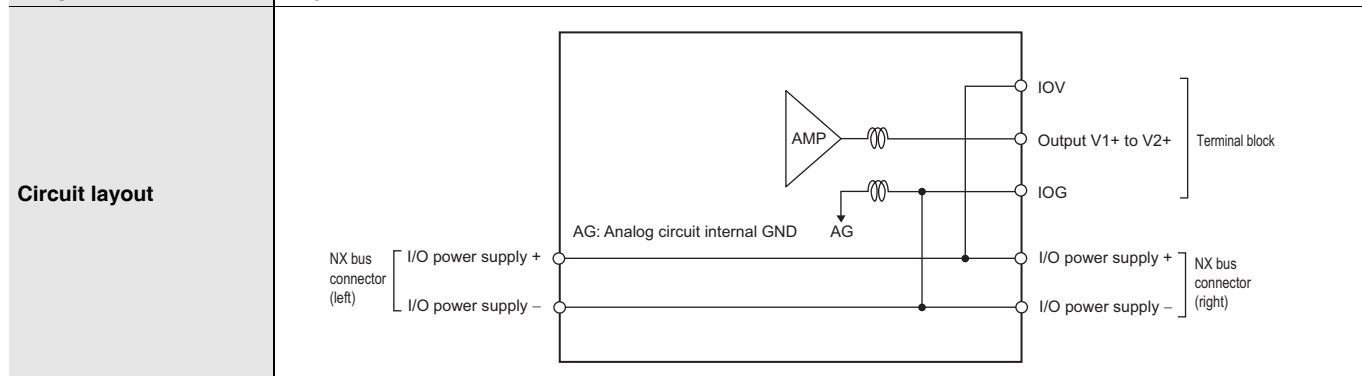
- Connected to a CPU Unit or Communication Control Unit: Possible in upright installation.
- Connected to a Communications Coupler Unit: Possible in 6 orientations.

Restrictions: No restrictions



### Analog Output Unit (voltage output type) 2 points NX-DA2605

<b>Unit name</b>	Analog Output Unit (voltage output type)	<b>Model</b>	NX-DA2605	
<b>Number of points</b>	2 points	<b>External connection terminals</b>	Screwless clamping terminal block (8 terminals)	
<b>I/O refreshing method</b>	Selectable Synchronous I/O refreshing or Free-Run refreshing			
<b>Indicator</b>		<b>Output range</b>	-10 to +10 V	
		<b>Output conversion range</b>	-5 to 105% (full scale)	
		<b>Allowable load resistance</b>	5 kΩ min.	
		<b>Output impedance</b>	0.5 Ω max.	
		<b>Resolution</b>	1/30000 (full scale)	
		<b>Overall accuracy</b>	25°C	±0.1% (full scale)
			0 to 55°C	±0.3% (full scale)
<b>Conversion time</b>	10 μs/point			
<b>Dimensions</b>	12 (W) x 100 (H) x 71 (D)	<b>Isolation method</b>	Between the input and the NX bus: Power = Transformer, Signal = Digital isolator (no isolation between inputs)	
<b>Insulation resistance</b>	20 MΩ min. between isolated circuits (at 100 VDC)	<b>Dielectric strength</b>	510 VAC between isolated circuits for 1 minute at a leakage current of 5 mA max.	
<b>I/O power supply method</b>	Supply from the NX bus	<b>Current capacity of I/O power supply terminal</b>	IOV: 0.1 A/terminal max., IOG: 0.1 A/terminal max.	
<b>NX Unit power consumption</b>	<ul style="list-style-type: none"> <li>Connected to a CPU Unit or Communication Control Unit 1.40 W max.</li> <li>Connected to a Communications Coupler Unit 1.10 W max.</li> </ul>	<b>I/O current consumption</b>	No consumption	
<b>Weight</b>	70 g max.			

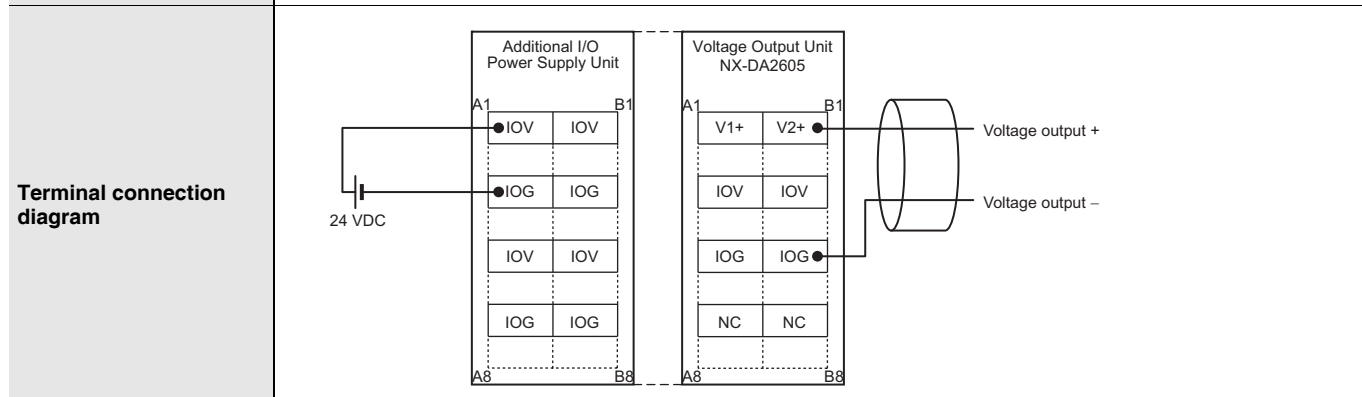


**Installation orientation and restrictions**


Installation orientation:

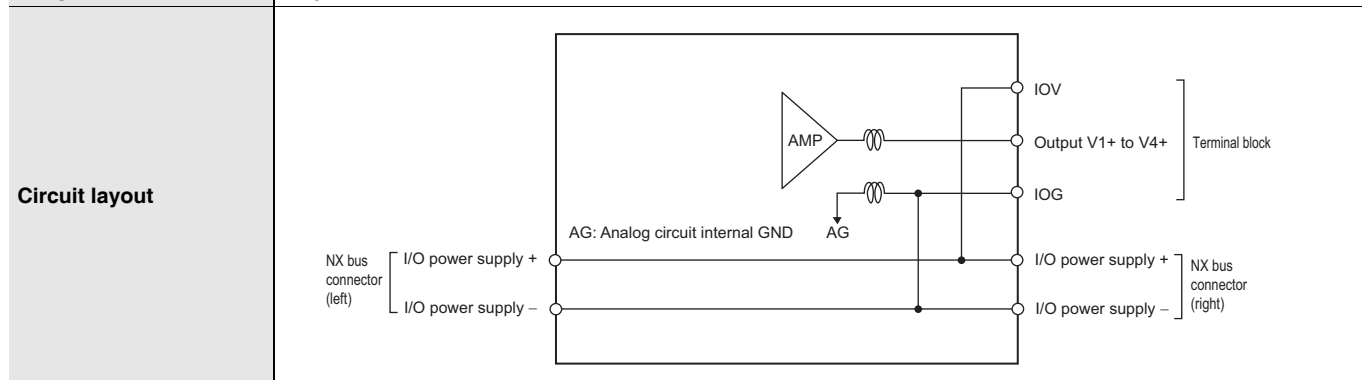
- Connected to a CPU Unit or Communication Control Unit: Possible in upright installation.
- Connected to a Communications Coupler Unit: Possible in 6 orientations.

Restrictions: No restrictions



### Analog Output Unit (voltage output type) 4 points NX-DA3603

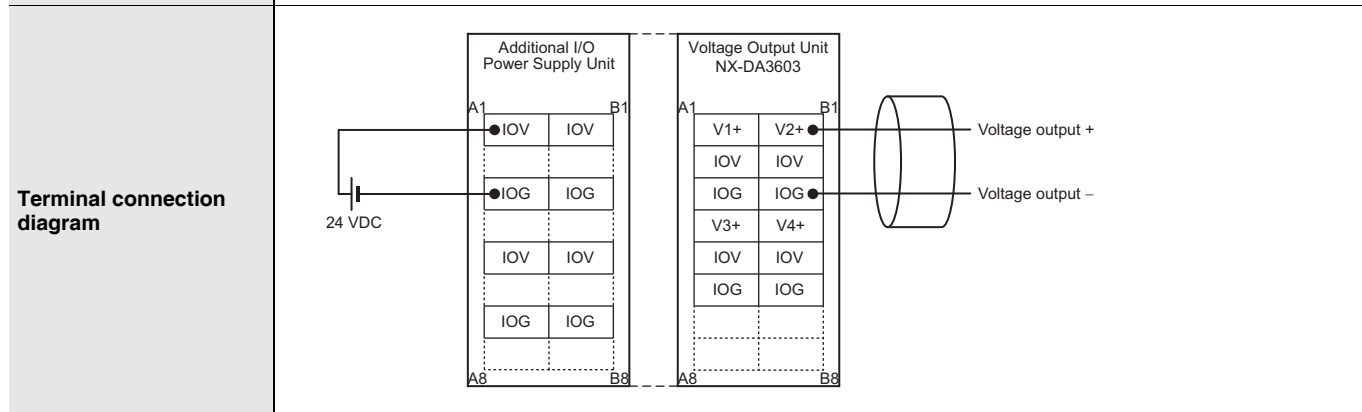
<b>Unit name</b>	Analog Output Unit (voltage output type)	<b>Model</b>	NX-DA3603	
<b>Number of points</b>	4 points	<b>External connection terminals</b>	Screwless clamping terminal block (12 terminals)	
<b>I/O refreshing method</b>	Free-Run refreshing			
<b>Indicator</b>	TS indicator 	<b>Output range</b>	-10 to +10 V	
		<b>Output conversion range</b>	-5 to 105% (full scale)	
		<b>Allowable load resistance</b>	5 kΩ min.	
		<b>Output impedance</b>	0.5 Ω max.	
		<b>Resolution</b>	1/8000 (full scale)	
		<b>Overall accuracy</b>	25°C	±0.3% (full scale)
			0 to 55°C	±0.5% (full scale)
<b>Conversion time</b>	250 μs/point			
<b>Dimensions</b>	12 (W) x 100 (H) x 71 (D)	<b>Isolation method</b>	Between the input and the NX bus: Power = Transformer, Signal = Digital isolator (no isolation between inputs)	
<b>Insulation resistance</b>	20 MΩ min. between isolated circuits (at 100 VDC)	<b>Dielectric strength</b>	510 VAC between isolated circuits for 1 minute at a leakage current of 5 mA max.	
<b>I/O power supply method</b>	Supply from the NX bus	<b>Current capacity of I/O power supply terminal</b>	IOV: 0.1 A/terminal max., IOG: 0.1 A/terminal max.	
<b>NX Unit power consumption</b>	<ul style="list-style-type: none"> <li>Connected to a CPU Unit or Communication Control Unit 1.35 W max.</li> <li>Connected to a Communications Coupler Unit 1.25 W max.</li> </ul>	<b>I/O current consumption</b>	No consumption	
<b>Weight</b>	70 g max.			




**Installation orientation and restrictions**

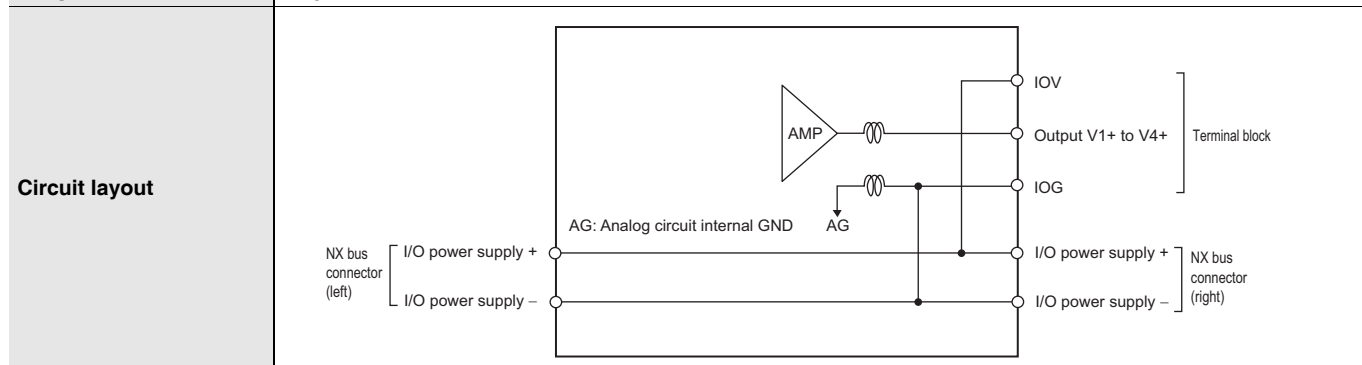
- Connected to a CPU Unit or Communication Control Unit: Possible in upright installation.
- Connected to a Communications Coupler Unit: Possible in 6 orientations.

Restrictions: No restrictions



### Analog Output Unit (voltage output type) 4 points NX-DA3605

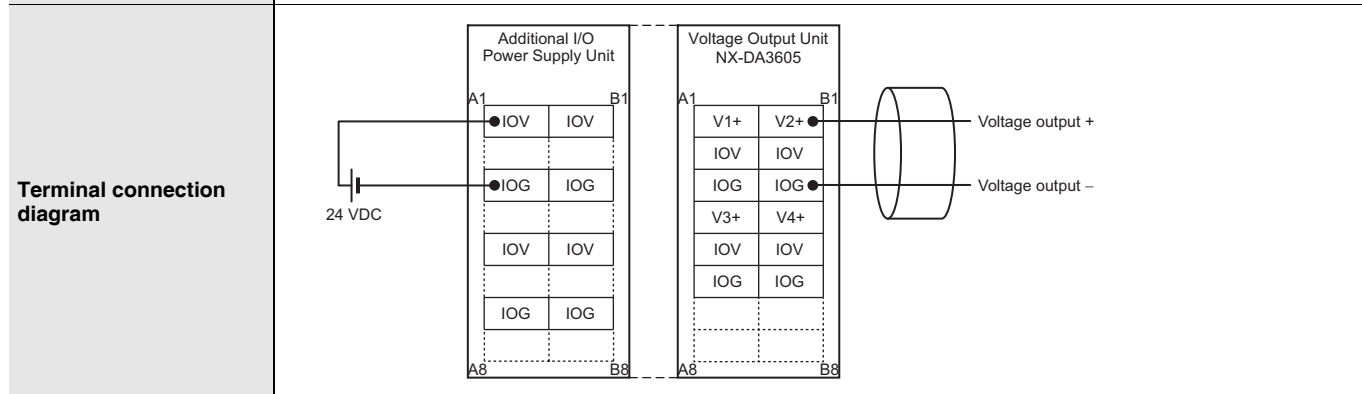
<b>Unit name</b>	Analog Output Unit (voltage output type)	<b>Model</b>	NX-DA3605	
<b>Number of points</b>	4 points	<b>External connection terminals</b>	Screwless clamping terminal block (12 terminals)	
<b>I/O refreshing method</b>	Selectable Synchronous I/O refreshing or Free-Run refreshing			
<b>Indicator</b>		<b>Output range</b>	-10 to +10 V	
		<b>Output conversion range</b>	-5 to 105% (full scale)	
		<b>Allowable load resistance</b>	5 kΩ min.	
		<b>Output impedance</b>	0.5 Ω max.	
		<b>Resolution</b>	1/30000 (full scale)	
		<b>Overall accuracy</b>	25°C	±0.1% (full scale)
			0 to 55°C	±0.3% (full scale)
<b>Conversion time</b>	10 μs/point			
<b>Dimensions</b>	12 (W) x 100 (H) x 71 (D)	<b>Isolation method</b>	Between the input and the NX bus: Power = Transformer, Signal = Digital isolator (no isolation between inputs)	
<b>Insulation resistance</b>	20 MΩ min. between isolated circuits (at 100 VDC)	<b>Dielectric strength</b>	510 VAC between isolated circuits for 1 minute at a leakage current of 5 mA max.	
<b>I/O power supply method</b>	Supply from the NX bus	<b>Current capacity of I/O power supply terminal</b>	IOV: 0.1 A/terminal max., IOG: 0.1 A/terminal max.	
<b>NX Unit power consumption</b>	<ul style="list-style-type: none"> <li>Connected to a CPU Unit or Communication Control Unit 1.60 W max.</li> <li>Connected to a Communications Coupler Unit 1.25 W max.</li> </ul>	<b>I/O current consumption</b>	No consumption	
<b>Weight</b>	70 g max.			




**Installation orientation and restrictions**

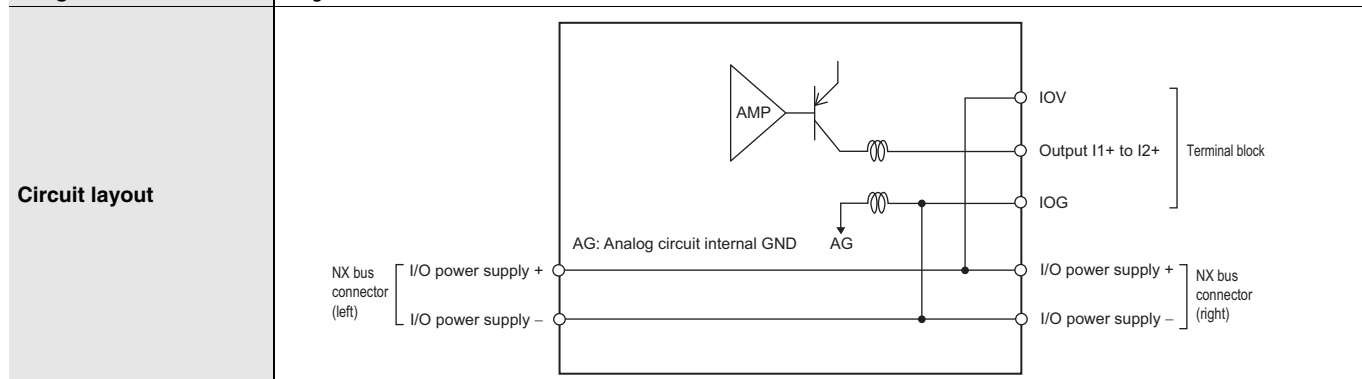
- Connected to a CPU Unit or Communication Control Unit: Possible in upright installation.
- Connected to a Communications Coupler Unit: Possible in 6 orientations.

Restrictions: No restrictions



### Analog Output Unit (current output type) 2 points NX-DA2203

<b>Unit name</b>	Analog Output Unit (current output type)	<b>Model</b>	NX-DA2203	
<b>Number of points</b>	2 points	<b>External connection terminals</b>	Screwless clamping terminal block (8 terminals)	
<b>I/O refreshing method</b>	Free-Run refreshing			
<b>Indicator</b>	TS indicator 	<b>Output range</b>	4 to 20 mA	
		<b>Output conversion range</b>	-5 to 105% (full scale)	
		<b>Allowable load resistance</b>	600 Ω max.	
		<b>Resolution</b>	1/8000 (full scale)	
		<b>Overall accuracy</b>	25°C	±0.3% (full scale)
			0 to 55°C	±0.6% (full scale)
<b>Conversion time</b>	250 μs/point			
<b>Dimensions</b>	12 (W) x 100 (H) x 71 (D)	<b>Isolation method</b>	Between the input and the NX bus: Power = Transformer, Signal = Digital isolator (no isolation between inputs)	
<b>Insulation resistance</b>	20 MΩ min. between isolated circuits (at 100 VDC)	<b>Dielectric strength</b>	510 VAC between isolated circuits for 1 minute at a leakage current of 5 mA max.	
<b>I/O power supply method</b>	Supply from the NX bus	<b>Current capacity of I/O power supply terminal</b>	IOV: 0.1 A/terminal max., IOG: 0.1 A/terminal max.	
<b>NX Unit power consumption</b>	<ul style="list-style-type: none"> <li>Connected to a CPU Unit or Communication Control Unit 2.10 W max.</li> <li>Connected to a Communications Coupler Unit 1.75 W max.</li> </ul>	<b>I/O current consumption</b>	No consumption	
<b>Weight</b>	70 g max.			



**Installation orientation and restrictions**

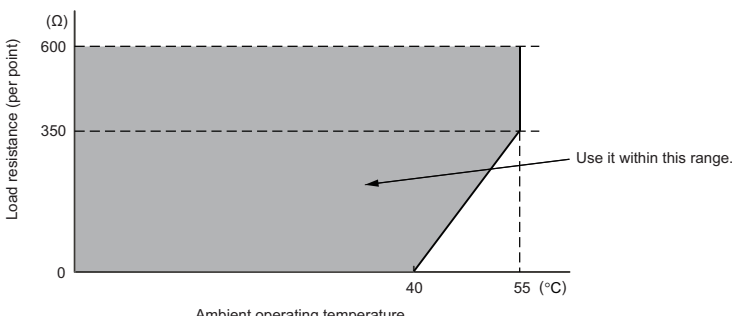
Installation orientation:

- Connected to a CPU Unit or Communication Control Unit: Possible in upright installation.
- Connected to a Communications Coupler Unit: Possible in 6 orientations.

Restrictions:

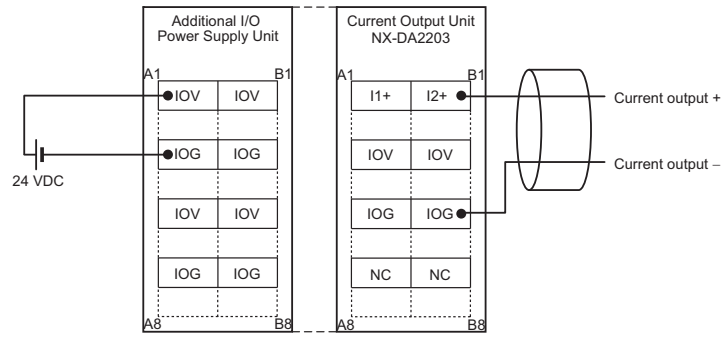
For upright installation: No restrictions

For any installation other than upright: Restricted as shown in the graph below.




The graph shows the relationship between load resistance and ambient operating temperature. The y-axis represents Load resistance (per point) in Ohms (Ω), ranging from 0 to 600. The x-axis represents Ambient operating temperature in degrees Celsius (°C), ranging from 0 to 55. A shaded region indicates the acceptable range for load resistance, which is constant at 600 Ω up to 40 °C and then decreases linearly to 350 Ω at 55 °C. An arrow points to this shaded region with the text "Use it within this range."

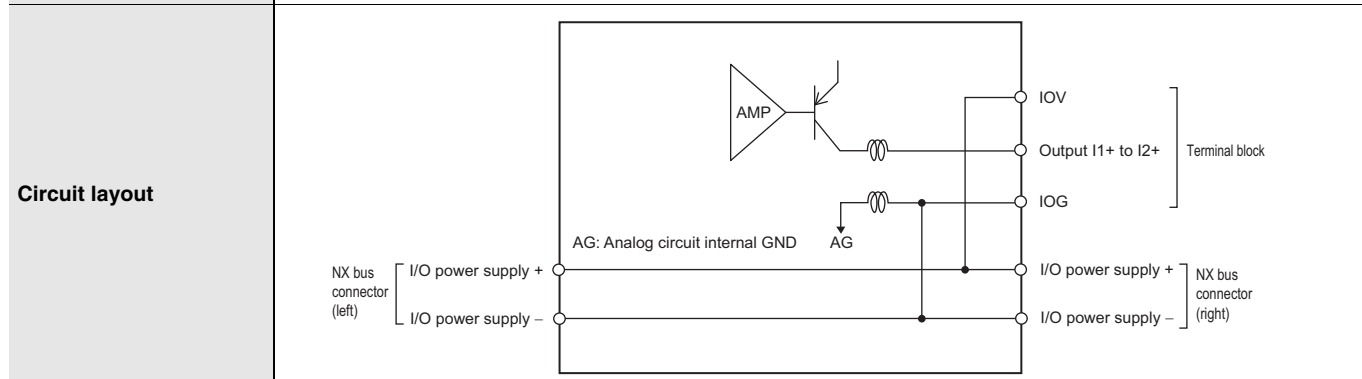
**Terminal connection diagram**



### Analog Output Unit (current output type) 2 points NX-DA2205

<b>Unit name</b>	Analog Output Unit (current output type)	<b>Model</b>	NX-DA2205	
<b>Number of points</b>	2 points	<b>External connection terminals</b>	Screwless clamping terminal block (8 terminals)	
<b>I/O refreshing method</b>	Selectable Synchronous I/O refreshing or Free-Run refreshing			
<b>Indicator</b>	TS indicator 	<b>Output range</b>	4 to 20 mA	
		<b>Output conversion range</b>	-5 to 105% (full scale)	
		<b>Allowable load resistance</b>	600 Ω max.	
		<b>Resolution</b>	1/30000 (full scale)	
		<b>Overall accuracy</b>	25°C	±0.1% (full scale)
			0 to 55°C	±0.3% (full scale)
<b>Conversion time</b>	10 μs/point			
<b>Dimensions</b>	12 (W) x 100 (H) x 71 (D)	<b>Isolation method</b>	Between the input and the NX bus: Power = Transformer, Signal = Digital isolator (no isolation between inputs)	
<b>Insulation resistance</b>	20 MΩ min. between isolated circuits (at 100 VDC)	<b>Dielectric strength</b>	510 VAC between isolated circuits for 1 minute at a leakage current of 5 mA max.	
<b>I/O power supply method</b>	Supply from the NX bus	<b>Current capacity of I/O power supply terminal</b>	IOV: 0.1 A/terminal max., IOG: 0.1 A/terminal max.	
<b>NX Unit power consumption</b>	<ul style="list-style-type: none"> <li>Connected to a CPU Unit or Communication Control Unit 2.10 W max.</li> <li>Connected to a Communications Coupler Unit 1.75 W max.</li> </ul>	<b>I/O current consumption</b>	No consumption	

**Weight** 70 g max.



**Installation orientation and restrictions**

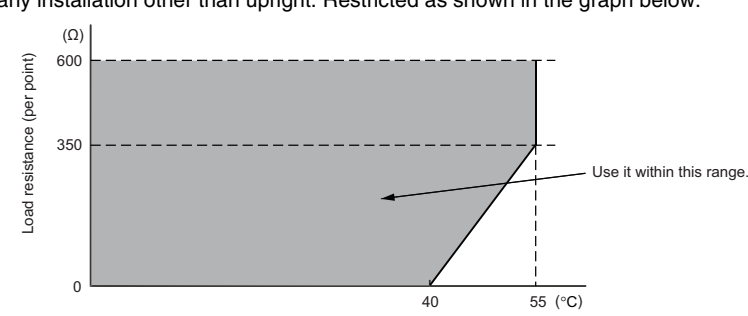
Installation orientation:

- Connected to a CPU Unit or Communication Control Unit: Possible in upright installation.
- Connected to a Communications Coupler Unit: Possible in 6 orientations.

Restrictions:

For upright installation: No restrictions

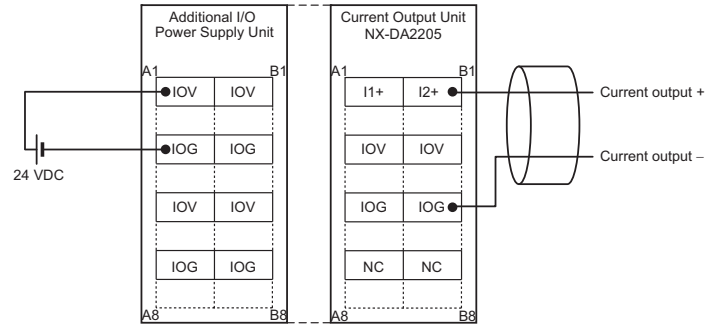
For any installation other than upright: Restricted as shown in the graph below.




The graph plots Load resistance (per point) in Ω on the y-axis (0 to 600) against Ambient operating temperature in °C on the x-axis (40 to 55). A shaded region indicates the allowed load resistance range. The load resistance is constant at 600 Ω up to 40 °C, then decreases linearly to 350 Ω at 55 °C. An arrow points to the shaded region with the text 'Use it within this range.'

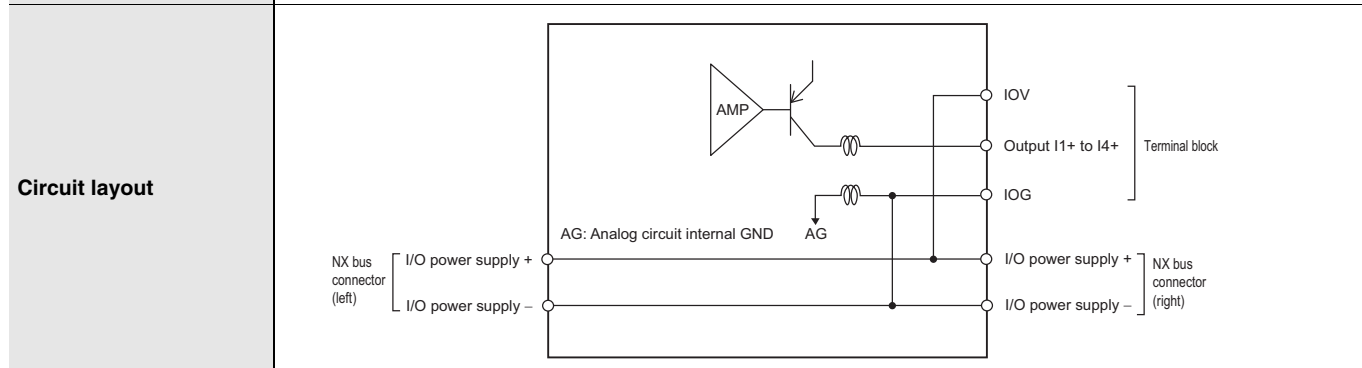


**Terminal connection diagram**



### Analog Output Unit (current output type) 4 points NX-DA3203

<b>Unit name</b>	Analog Output Unit (current output type)	<b>Model</b>	NX-DA3203	
<b>Number of points</b>	4 points	<b>External connection terminals</b>	Screwless clamping terminal block (12 terminals)	
<b>I/O refreshing method</b>	Free-Run refreshing			
<b>Indicator</b>	TS indicator 	<b>Output range</b>	4 to 20 mA	
		<b>Output conversion range</b>	-5 to 105% (full scale)	
		<b>Allowable load resistance</b>	350 Ω max.	
		<b>Resolution</b>	1/8000 (full scale)	
		<b>Overall accuracy</b>	25°C	±0.3% (full scale)
			0 to 55°C	±0.6% (full scale)
<b>Conversion time</b>	250 μs/point			
<b>Dimensions</b>	12 (W) x 100 (H) x 71 (D)	<b>Isolation method</b>	Between the input and the NX bus: Power = Transformer, Signal = Digital isolator (no isolation between inputs)	
<b>Insulation resistance</b>	20 MΩ min. between isolated circuits (at 100 VDC)	<b>Dielectric strength</b>	510 VAC between isolated circuits for 1 minute at a leakage current of 5 mA max.	
<b>I/O power supply method</b>	Supply from the NX bus	<b>Current capacity of I/O power supply terminal</b>	IOV: 0.1 A/terminal max., IOG: 0.1 A/terminal max.	
<b>NX Unit power consumption</b>	<ul style="list-style-type: none"> <li>Connected to a CPU Unit or Communication Control Unit 2.10 W max.</li> <li>Connected to a Communications Coupler Unit 1.80 W max.</li> </ul>	<b>I/O current consumption</b>	No consumption	
<b>Weight</b>	70 g max.			



**Installation orientation and restrictions**

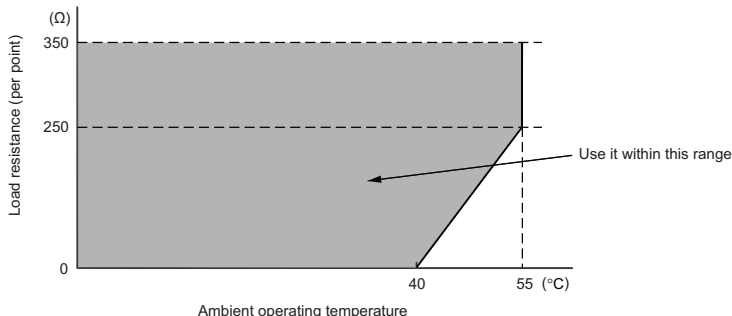
Installation orientation:

- Connected to a CPU Unit or Communication Control Unit: Possible in upright installation.
- Connected to a Communications Coupler Unit: Possible in 6 orientations.

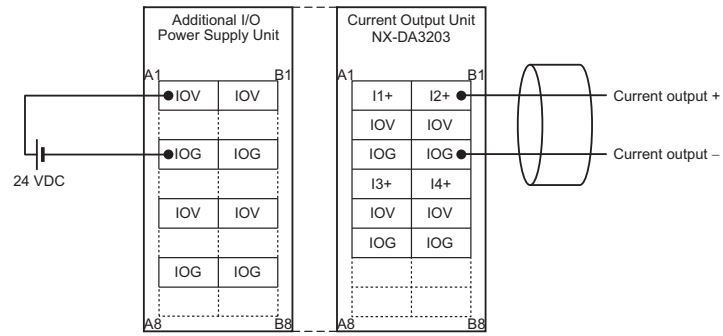
Restrictions:

For upright installation: No restrictions


For any installation other than upright: Restricted as shown in the graph below.

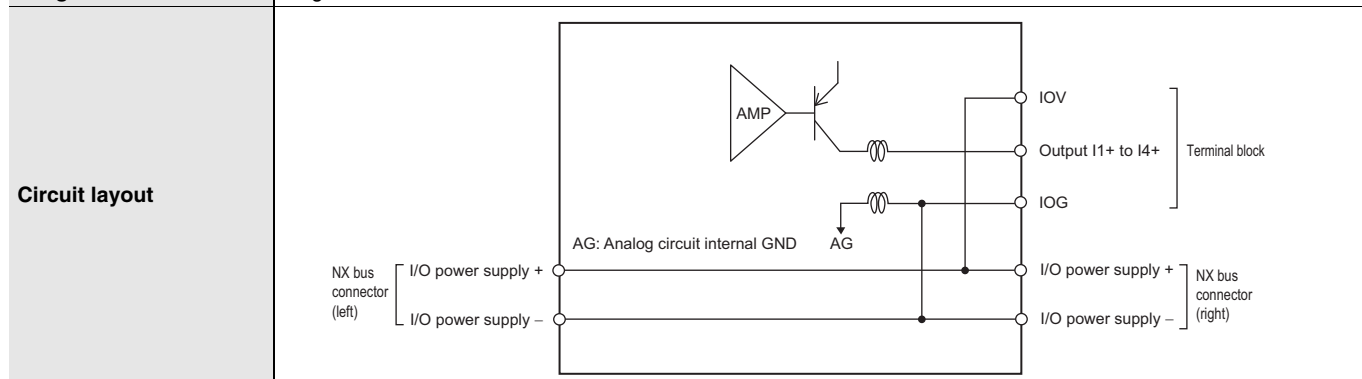


**Terminal connection diagram**



### Analog Output Unit (current output type) 4 points NX-DA3205

<b>Unit name</b>	Analog Output Unit (current output type)	<b>Model</b>	NX-DA3205	
<b>Number of points</b>	4 points	<b>External connection terminals</b>	Screwless clamping terminal block (12 terminals)	
<b>I/O refreshing method</b>	Selectable Synchronous I/O refreshing or Free-Run refreshing			
<b>Indicator</b>	TS indicator 	<b>Output range</b>	4 to 20 mA	
		<b>Output conversion range</b>	-5 to 105% (full scale)	
		<b>Allowable load resistance</b>	350 Ω max.	
		<b>Resolution</b>	1/30000 (full scale)	
		<b>Overall accuracy</b>	25°C	±0.1% (full scale)
			0 to 55°C	±0.3% (full scale)
<b>Conversion time</b>	10 μs/point			
<b>Dimensions</b>	12 (W) x 100 (H) x 71 (D)	<b>Isolation method</b>	Between the input and the NX bus: Power = Transformer, Signal = Digital isolator (no isolation between inputs)	
<b>Insulation resistance</b>	20 MΩ min. between isolated circuits (at 100 VDC)	<b>Dielectric strength</b>	510 VAC between isolated circuits for 1 minute at a leakage current of 5 mA max.	
<b>I/O power supply method</b>	Supply from the NX bus	<b>Current capacity of I/O power supply terminal</b>	IOV: 0.1 A/terminal max., IOG: 0.1 A/terminal max.	
<b>NX Unit power consumption</b>	<ul style="list-style-type: none"> <li>Connected to a CPU Unit or Communication Control Unit 2.10 W max.</li> <li>Connected to a Communications Coupler Unit 1.80 W max.</li> </ul>	<b>I/O current consumption</b>	No consumption	
<b>Weight</b>	70 g max.			



**Installation orientation and restrictions**

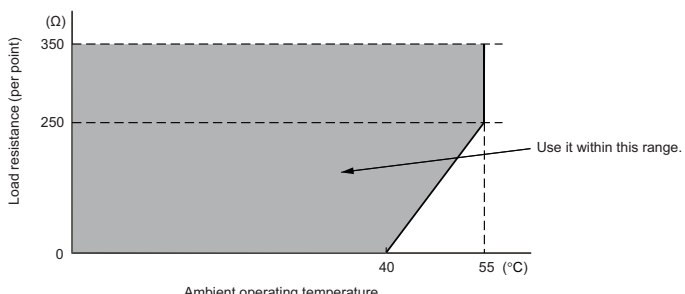
Installation orientation:

- Connected to a CPU Unit or Communication Control Unit: Possible in upright installation.
- Connected to a Communications Coupler Unit: Possible in 6 orientations.

Restrictions:

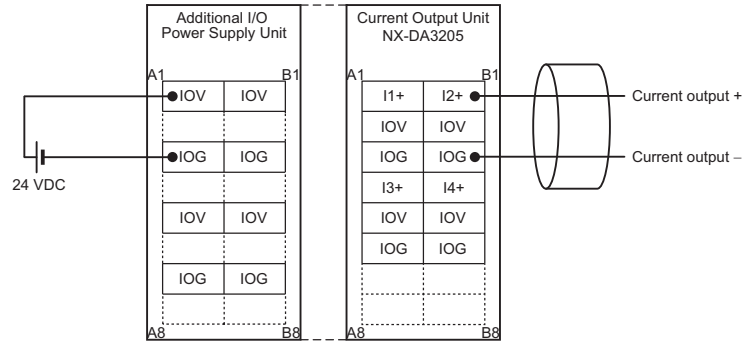
For upright installation: No restrictions

For any installation other than upright: Restricted as shown in the graph below.



The graph plots Load resistance (per point) in Ω on the y-axis (0 to 350) against Ambient operating temperature in °C on the x-axis (0 to 55). A shaded region indicates the allowable load resistance range. The load resistance is constant at 350 Ω up to 40 °C and then decreases linearly to 250 Ω at 55 °C. An arrow points to the shaded region with the text "Use it within this range."

**Terminal connection diagram**



## Version Information

### Connected to a CPU Unit

Refer to the user's manual for the CPU Unit details on the CPU Units to which NX Units can be connected.

NX Unit		Corresponding unit versions/versions	
Model	Unit version	CPU Unit	Sysmac Studio
NX-AD□□□□ NX-DA□□□□	Ver.1.0	Ver.1.13	Ver.1.17

**Note:** Some Units do not have all of the versions given in the above table. If a Unit does not have the specified version, support is provided by the oldest available version after the specified version. Refer to the user's manuals for the specific Units for the relation between models and versions.

### Connected to an EtherCAT Coupler Unit

NX Unit		Corresponding unit versions/versions		
Model	Unit version	EtherCAT Coupler Unit	CPU Unit or Industrial PC	Sysmac Studio
NX-AD□□□□ NX-DA□□□□	Ver.1.0	Ver.1.0	Ver.1.05	Ver.1.06

**Note:** Some Units do not have all of the versions given in the above table. If a Unit does not have the specified version, support is provided by the oldest available version after the specified version. Refer to the user's manuals for the specific Units for the relation between models and versions.

### Connected to an EtherNet/IP Coupler Unit

NX Unit		Corresponding unit versions/versions					
Model	Unit version	Application with an NJ/NX/NY-series Controller *1			Application with a CS/CJ/CP-series PLC *2		
		EtherNet/IP Coupler Unit	CPU Unit or Industrial PC	Sysmac Studio	EtherNet/IP Coupler Unit	Sysmac Studio	NX-IO Configurator *3
NX-AD□□□□ NX-DA□□□□	Ver. 1.0	Ver. 1.2	Ver. 1.14	Ver. 1.19	Ver. 1.0	Ver. 1.10	Ver. 1.00

**Note:** Some Units do not have all of the versions given in the above table. If a Unit does not have the specified version, support is provided by the oldest available version after the specified version. Refer to the user's manuals for the specific Units for the relation between models and versions.

\*1 Refer to the user's manual for the EtherNet/IP Coupler Units for information on the unit versions of EtherNet/IP Units that are compatible with EtherNet/IP Coupler Units.

\*2 Refer to the user's manual for the EtherNet/IP Coupler Units for information on the unit versions of CPU Units and EtherNet/IP Units that are compatible with EtherNet/IP Coupler Units.

\*3 For connection to an EtherNet/IP Coupler Unit with unit version 1.0, connection is supported only for a connection to the peripheral USB port on the EtherNet/IP Coupler Unit. You cannot connect by any other path. If you need to connect by another path, use an EtherNet/IP Coupler Unit with unit version 1.2 or later.

### Connected to Communication Control Units

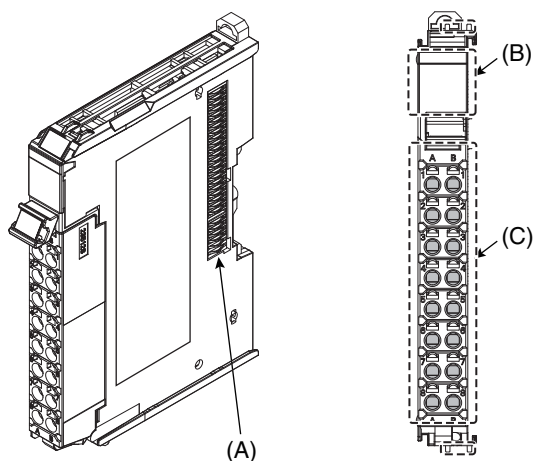
NX Unit		Corresponding unit versions/versions	
Model	Unit version	Communication Control Unit	Sysmac Studio
NX-AD□□□□ NX-DA□□□□	Ver.1.0	Ver.1.00	Ver.1.24

**Note:** Some Units do not have all of the versions given in the above table. If a Unit does not have the specified version, support is provided by the oldest available version after the specified version. Refer to the user's manuals for the specific Units for the relation between models and versions.

## External Interface

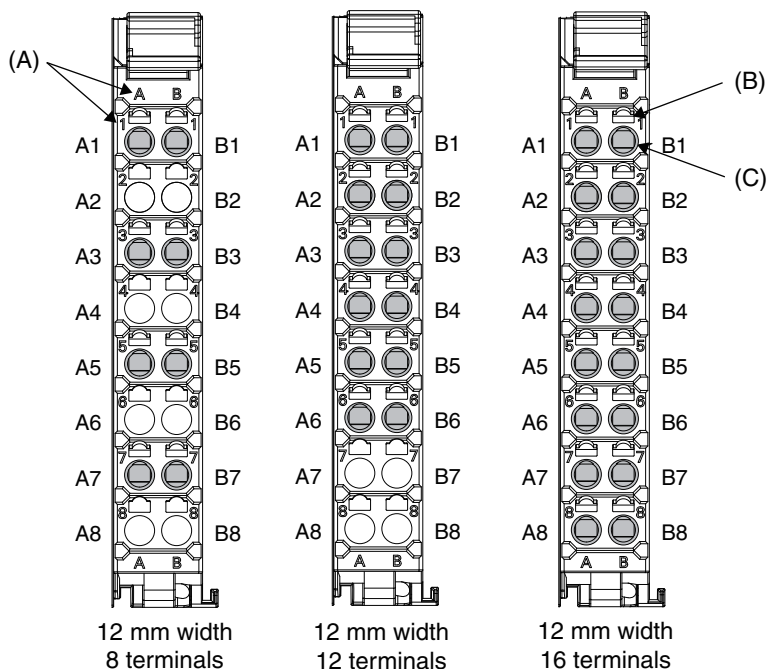
### Screwless Clamping Terminal Block Type

12 mm Width



Letter	Item	Specification
(A)	NX bus connector	This connector is used to connect to another Unit.
(B)	Indicators	The indicators show the current operating status of the Unit.
(C)	Terminal block	The terminal block is used to connect to external devices. The number of terminals depends on the Unit.

Terminal Blocks



Letter	Item	Specification
(A)	Terminal number indication	The terminal number is identified by a column (A through D) and a row (1 through 8). Therefore, terminal numbers are written as a combination of columns and rows, A1 through A8 and B1 through B8. The terminal number indication is the same regardless of the number of terminals on the terminal block.
(B)	Release hole	A flat-blade screwdriver is inserted here to attach and remove the wiring.
(C)	Terminal hole	The wires are inserted into these holes.

Applicable Terminal Blocks for Each Unit Model

Unit model	Terminal Blocks				
	Model	No. of terminals	Terminal number indications	Ground terminal mark	Terminal current capacity
NX-AD2□□□	NX-TBA082	8	A/B	None	10 A
NX-AD3□□□	NX-TBA122	12	A/B	None	10 A
NX-AD4□□□	NX-TBA162	16	A/B	None	10 A
NX-DA2□□□	NX-TBA082	8	A/B	None	10 A
NX-DA3□□□	NX-TBA122	12	A/B	None	10 A



## Applicable Wires

### Using Ferrules

If you use ferrules, attach the twisted wires to them.

Observe the application instructions for your ferrules for the wire stripping length when attaching ferrules.

Always use plated one-pin ferrules. Do not use unplated ferrules or two-pin ferrules.

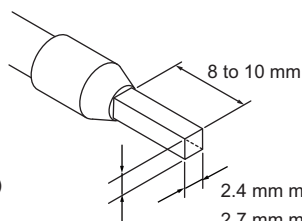
The applicable ferrules, wires, and crimping tool are given in the following table.

Terminal type	Manufacturer	Ferrule model	Applicable wire (mm <sup>2</sup> (AWG))	Crimping tool
Terminals other than ground terminals	Phoenix Contact	AI0,34-8	0.34 (#22)	Phoenix Contact (The figure in parentheses is the applicable wire size.) CRIMPFOX 6 (0.25 to 6 mm <sup>2</sup> , AWG24 to 10)
		AI0,5-8	0.5 (#20)	
		AI0,5-10		
		AI0,75-8	0.75 (#18)	
		AI0,75-10		
		AI1,0-8	1.0 (#18)	
		AI1,0-10		
		AI1,5-8	1.5 (#16)	
Ground terminals	Phoenix Contact	AI1,5-10		
		AI2,5-10	2.0 *	
Terminals other than ground terminals	Weidmuller	H0.14/12	0.14 (#26)	Weidmuller (The figure in parentheses is the applicable wire size.) PZ6 Roto (0.14 to 6 mm <sup>2</sup> , AWG 26 to 10)
		H0.25/12	0.25 (#24)	
		H0.34/12	0.34 (#22)	
		H0.5/14	0.5 (#20)	
		H0.5/16		
		H0.75/14	0.75 (#18)	
		H0.75/16		
		H1.0/14	1.0 (#18)	
		H1.0/16		
		H1.5/14	1.5 (#16)	
Ground terminals	Weidmuller	H1.5/16		

\* Some AWG 14 wires exceed 2.0 mm<sup>2</sup> and cannot be used in the screwless clamping terminal block.

When you use any ferrules other than those in the above table, crimp them to the twisted wires so that the following processed dimensions are achieved.

Finished Dimensions of Ferrules



1.6 mm max. (except ground terminals)

2.0 mm max. (ground terminals)

2.4 mm max. (except ground terminals)

2.7 mm max. (ground terminals)

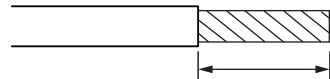
### Using Twisted Wires/Solid Wires

If you use the twisted wires or the solid wires, use the following table to determine the correct wire specifications.

Terminals		Wire type				Wire size	Conductor length (stripping length)
		Twisted wires		Solid wire			
Classification	Current capacity	Plated	Unplated	Plated	Unplated		
All terminals except ground terminals	2 A or less	Possible	Possible	Possible	Possible	0.08 to 1.5 mm <sup>2</sup> AWG28 to 16	8 to 10 mm
	Greater than 2 A and 4 A or less		Not Possible	Possible *1	Not Possible		
	Greater than 4 A		Possible *1	Not Possible	Not Possible		
Ground terminals	---	Possible	Possible	Possible *2	Possible *2	2.0 mm <sup>2</sup>	9 to 10 mm

\*1. Secure wires to the screwless clamping terminal block. Refer to the Securing Wires in the USER'S MANUAL for how to secure wires.

\*2. With the NX-TB□□□1 Terminal Block, use twisted wires to connect the ground terminal. Do not use a solid wire.



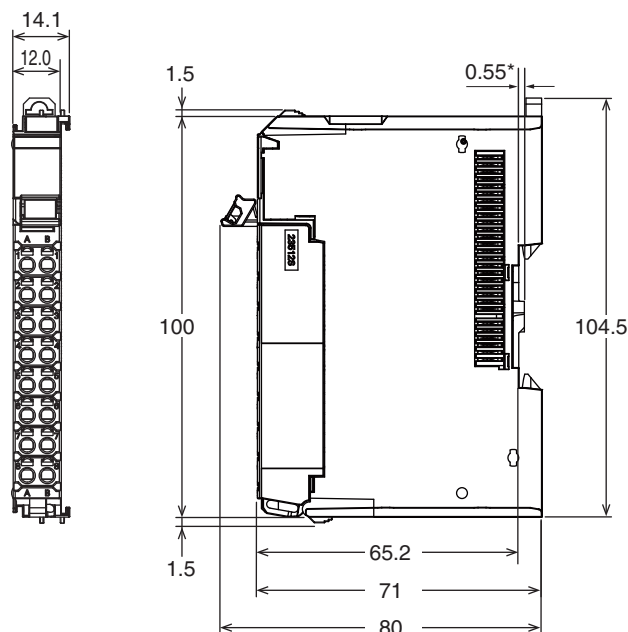
Conductor length (stripping length)

<Additional Information> If more than 2 A will flow on the wires, use plated wires or use ferrules.

## Dimensions

### Screwless Clamping Terminal Block Type

12 mm Width



\* The dimension is 1.35 mm for Units with lot numbers through December 2014.

## Related Manual

Cat. No.	Model number	Manual name	Application	Description
W522	NX-AD□□□□ NX-DA□□□□	NX-series Analog I/O Units User's Manual for Analog Input Units and Analog Output Units	Learning how to use NX-series Analog Input Units and Analog Output Units	The hardware, setup methods, and functions of the NX-series Analog Input Units and Analog Output Units are described.

## Terms and Conditions Agreement

### Read and understand this catalog.

Please read and understand this catalog before purchasing the products. Please consult your OMRON representative if you have any questions or comments.

### Warranties.

(a) Exclusive Warranty. Omron's exclusive warranty is that the Products will be free from defects in materials and workmanship for a period of twelve months from the date of sale by Omron (or such other period expressed in writing by Omron). Omron disclaims all other warranties, express or implied.

(b) Limitations. OMRON MAKES NO WARRANTY OR REPRESENTATION, EXPRESS OR IMPLIED, ABOUT NON-INFRINGEMENT, MERCHANTABILITY OR FITNESS FOR A PARTICULAR PURPOSE OF THE PRODUCTS. BUYER ACKNOWLEDGES THAT IT ALONE HAS DETERMINED THAT THE PRODUCTS WILL SUITABLY MEET THE REQUIREMENTS OF THEIR INTENDED USE.

Omron further disclaims all warranties and responsibility of any type for claims or expenses based on infringement by the Products or otherwise of any intellectual property right. (c) Buyer Remedy. Omron's sole obligation hereunder shall be, at Omron's election, to (i) replace (in the form originally shipped with Buyer responsible for labor charges for removal or replacement thereof) the non-complying Product, (ii) repair the non-complying Product, or (iii) repay or credit Buyer an amount equal to the purchase price of the non-complying Product; provided that in no event shall Omron be responsible for warranty, repair, indemnity or any other claims or expenses regarding the Products unless Omron's analysis confirms that the Products were properly handled, stored, installed and maintained and not subject to contamination, abuse, misuse or inappropriate modification. Return of any Products by Buyer must be approved in writing by Omron before shipment. Omron Companies shall not be liable for the suitability or unsuitability or the results from the use of Products in combination with any electrical or electronic components, circuits, system assemblies or any other materials or substances or environments. Any advice, recommendations or information given orally or in writing, are not to be construed as an amendment or addition to the above warranty.

See <http://www.omron.com/global/> or contact your Omron representative for published information.

### Limitation on Liability: Etc.

OMRON COMPANIES SHALL NOT BE LIABLE FOR SPECIAL, INDIRECT, INCIDENTAL, OR CONSEQUENTIAL DAMAGES, LOSS OF PROFITS OR PRODUCTION OR COMMERCIAL LOSS IN ANY WAY CONNECTED WITH THE PRODUCTS, WHETHER SUCH CLAIM IS BASED IN CONTRACT, WARRANTY, NEGLIGENCE OR STRICT LIABILITY.

Further, in no event shall liability of Omron Companies exceed the individual price of the Product on which liability is asserted.

### Suitability of Use.

Omron Companies shall not be responsible for conformity with any standards, codes or regulations which apply to the combination of the Product in the Buyer's application or use of the Product. At Buyer's request, Omron will provide applicable third party certification documents identifying ratings and limitations of use which apply to the Product. This information by itself is not sufficient for a complete determination of the suitability of the Product in combination with the end product, machine, system, or other application or use. Buyer shall be solely responsible for determining appropriateness of the particular Product with respect to Buyer's application, product or system. Buyer shall take application responsibility in all cases.

NEVER USE THE PRODUCT FOR AN APPLICATION INVOLVING SERIOUS RISK TO LIFE OR PROPERTY OR IN LARGE QUANTITIES WITHOUT ENSURING THAT THE SYSTEM AS A WHOLE HAS BEEN DESIGNED TO ADDRESS THE RISKS, AND THAT THE OMRON PRODUCT(S) IS PROPERLY RATED AND INSTALLED FOR THE INTENDED USE WITHIN THE OVERALL EQUIPMENT OR SYSTEM.

### Programmable Products.

Omron Companies shall not be responsible for the user's programming of a programmable Product, or any consequence thereof.

### Performance Data.

Data presented in Omron Company websites, catalogs and other materials is provided as a guide for the user in determining suitability and does not constitute a warranty. It may represent the result of Omron's test conditions, and the user must correlate it to actual application requirements. Actual performance is subject to the Omron's Warranty and Limitations of Liability.

### Change in Specifications.

Product specifications and accessories may be changed at any time based on improvements and other reasons. It is our practice to change part numbers when published ratings or features are changed, or when significant construction changes are made. However, some specifications of the Product may be changed without any notice. When in doubt, special part numbers may be assigned to fix or establish key specifications for your application. Please consult with your Omron's representative at any time to confirm actual specifications of purchased Product.

### Errors and Omissions.

Information presented by Omron Companies has been checked and is believed to be accurate; however, no responsibility is assumed for clerical, typographical or proofreading errors or omissions.