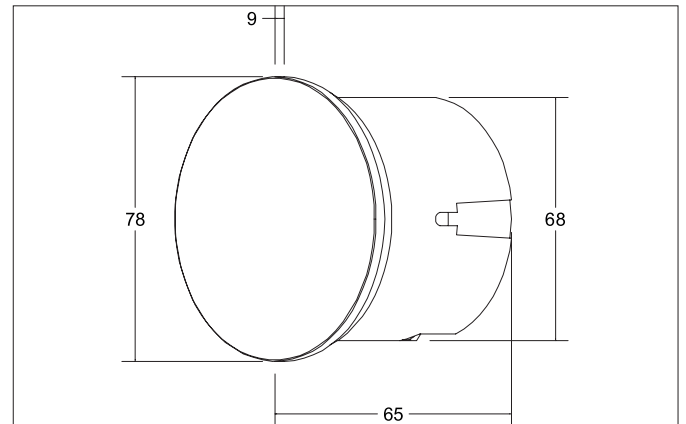
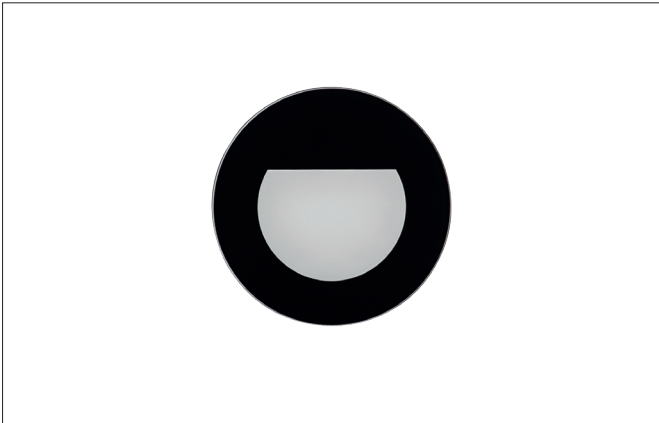


WALL KIT68-R LED wall recessed light, for device socket

Article no. 10158083

Light.
For Generations.**Tender**

LED wall recessed light, for device socket, black, Round. Recessed mounting, Wall-mounted For installation in cavity wall or concrete device boxes with an installation depth of at least 62 mm (screw distance: 60 mm). Compatible with Kaiser device sockets for cavity wall installation, product no. 9064-02 or 9464-02 or concrete installation, product no. 1556-04. Attention! The delivery is WITHOUT a device socket. Mounting method: Recessed mounting, Place of installation: Wall-mounted, Material: Aluminium / Steel / Glass/ Plastic, Degree of protection: according to DIN EN 60529 IP20, Protection class: (EN 61140) I, Voltage: 230V AC 50Hz, Power: 1.5 W, Amount of light sources / fittings: 1 Qty, Luminous flux : 35 lm, Colour temperature: 3.000 K, Adjustability: Not adjustable, With control gear: Yes, Dimmable: No, Control: on/off.

Article data	
Article no.	10158083
GTIN	4251433927075
Series name	WALL KIT68-R
Short description	LED wall recessed light, for device socket
Material	Aluminium / Steel / Glass/ Plastic
Colour	Black
Type of surface	Glossy
Shape	Round
Outer diameter	78 mm
Built-in diameter	68 mm
Installation depth	65 mm
Height	9 mm
Scope of delivery	With cover glass
Weight	0.161 kg

WALL KIT68-R LED wall recessed light, for device socket

Article no. 10158083

Light.
For Generations.

Lighting technology	
Colour temperature	3.000 K
Luminous flux	35 lm/m
System efficiency	23 lm/W
Colour rendering	CRI > 90
Reflector	Without
Light sharing	Asymmetric

Operating technology of the luminaire	
System output	1.5 W
Voltage type	AC
AC nominal voltage max	230 V
Frequenz max.	50 Hz
Lamp	LED
Protection class	I
Degree of protection	IP20
Dimmable	No
Control	on/off
Bulb change possible	Yes
Rated life time L70/B50 at 25 °C	50000 h

Mounting technology	
Mounting method	Recessed mounting
Place of installation	Wall-mounted
Adjustability	Not adjustable
Material cover	Glass opal

Packing data	
Gross weight	0.202 kg
Length of packaging	90 mm
Packaging width	55 mm
Packaging height	109 mm
Disposal at end of life	This product must not be disposed of with household waste. You are obliged, to dispose of such electrical waste separately. By disposing of electrical waste and other old or defective electronics separately, you support recycling or other forms of re-use. In that way you help to take care and to avoid that harmful substances get into the environment.