

## Connector - with TE screw terminals, for harsh applications



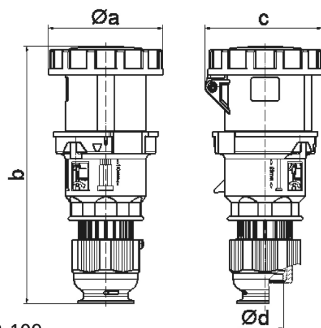
Product description	
BALS-Prd.-Nr	3186
EAN	4024941031868
Product category	Connector TE
Current	63A
Number of poles	4p
Poles	3P+PE
Position of earth contact	7 h
Voltage	480 up to 500V

Product description	
Frequency	50 and 60Hz
Protection degree	IP67
Colour code	black RAL 9005
Colour of appliance	Collar black RAL 9005, Hinged lid black RAL 9005, Bayonet ring grey RAL 7035, Cable gland grey RAL 7035, Housing cover black RAL 9005
Connection design	screw terminal as box terminal with Kontex-contact
Maximum conductor size	16,0 qmm
Cable entry	Cable gland
Height	251mm
Width	110mm
Depth	115mm
Material of enclosure	Polyamide
Contact	The contact carrier is made of high temperature resistant material, the contacts are brass nickel plated

Additional technical properties	
	For cable diameter from 16 up to max. 36 mm, Screwless housing connection, Multi-Grip cable gland with gasket, integrated cable clamp and additional water evacuation openings

Logistics data	
Weight/pcs	0.685 kg / Piece
Packaging	Bag

Logistics data	
Content amount	1 ST
EAN	4024941031868
Length	115 mm
Width	110 mm
Height	251 mm
Weight	0.686 kg
Volume	3,175.15 ccm
Packaging	Carton
Content amount	5 ST
EAN	4024941935562
Length	325 mm
Width	217 mm
Height	210 mm
Weight	3.631 kg
Volume	13,588.4 ccm



3 MB 109

Ampere	63	63	63				
Polzahl	3	4	5				
a ø	110,0	110,0	110,0				
b	251,0	251,0	251,0				
c	113,0	113,0	113,0				
d ø	36,0	36,0	36,0				
Leiter mm <sup>2</sup> min	6	6	6				
Leiter mm <sup>2</sup> max	16	16	16				